

Integrated VDSL Filter/Hybrid Solution
0803-7700-02

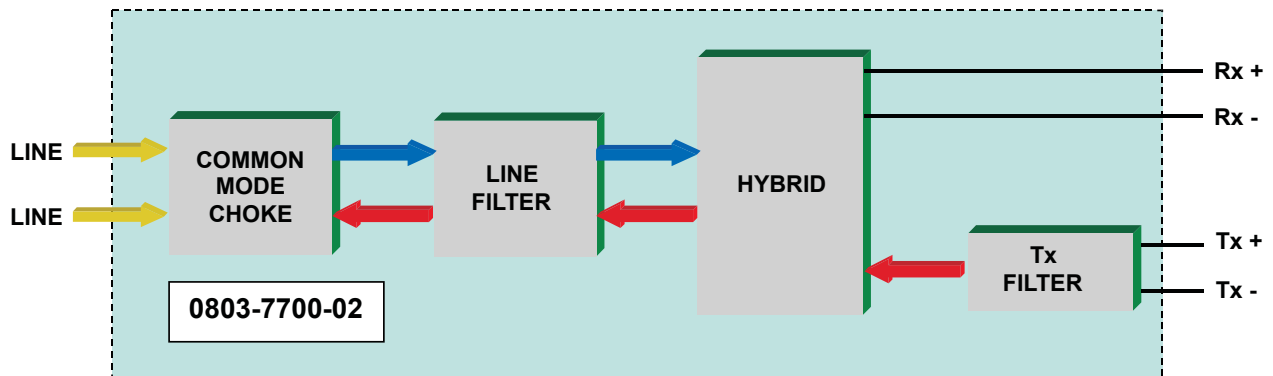
FEATURES

- Compact, single channel VDSL filter solution
- Minimum footprint for maximized port density
- Provides 1500Vrms isolation voltage

ELECTRICAL SPECIFICATIONS@25°C

Description	Passband Freq	Insertion Loss dB max	Return Loss dB max	Stopband Frequency	Attenuation dB min	Impedance Ω
HPF	25kHz - 9MHz	-0.2	-12	25kHz	-35	100
TX LPF	25kHz - 9MHz	-4.5	-12	9MHz	-53	50
RX	—	—	—	—	—	500

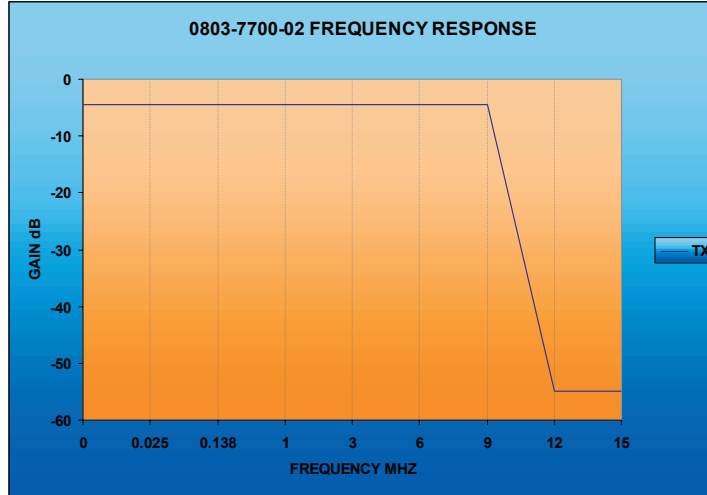
BLOCK DIAGRAM





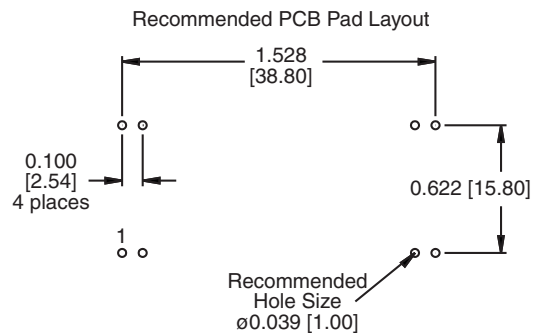
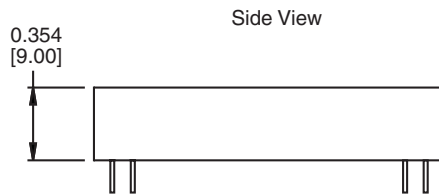
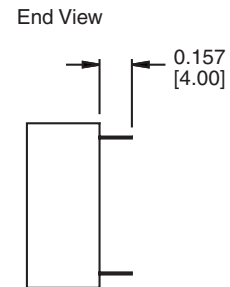
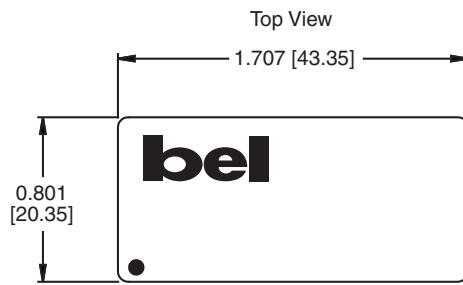
Integrated VDSL Filter/Hybrid Solution
0803-7700-02

FREQUENCY RESPONSE



MECHANICAL

Signal	Pin
Line	1
Line	2
Tx +	3
Tx -	4
Rx +	5
Rx -	6
N/C	7
CML	8



ALL DIMENSIONS IN INCHES [MM].
 TOLERANCE ±0.002 [0.05] UNLESS OTHERWISE STATED.

©2004 Bel Fuse Inc. Specifications subject to change without notice. 02.02.04

CORPORATE

Bel Fuse Inc.
 206 Van Vorst Street
 Jersey City, NJ 07302
 Tel 201-432-0463
 Fax 201-432-9542
 www.belfuse.com

FAR EAST

Bel Fuse Ltd.
 8F / 8 Luk Hop Street
 San Po Kong
 Kowloon, Hong Kong
 Tel 852-2328-5515
 Fax 852-2352-3706
 www.belfuse.com

EUROPE

Bel Stewart Connector
 45/46 Riverside
 Medway City Estate
 Rochester, Kent ME2 4DP U.K.
 Tel 44-1634-722890
 Fax 44-1634-716677
 www.belfuse.com