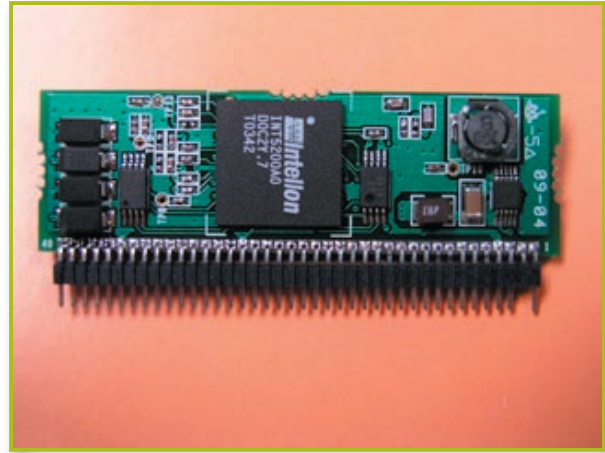


## POWERLINE MODULES

Low Power SIMPLE™ Embedded PowerPacket™ Modules

### FEATURES

- All-in-one HomePlug™ 1.0 embedded modules based on Intellon's advanced INT5200 single-chip powerline solution
- Pin and function compatible with the previous generation INT51MX modules
- Integrates all components necessary to add HomePlug functionality to any embedded system at industry's lowest cost
- Compact vertical or right-angle mounting configuration using Intellon's SIMPLE PowerBus™ connector
- Configurable for optimum performance in six foot AC/DC corded or wallplug (zero feet) applications
- Operates from a single 3.3V supply
- Minimum footprint
- HomePlug 1.0 compliant
- Simplifies development cycle, assembly and test



Part Number	Description
0804-5000-03	Vertical Mounting
0804-5000-04	Right Angle Mounting

Bel's 0804-5000-03 and 0804-5000-04 PowerPacket modules are the latest members of the Single Inline Module – Power Line Enabled (SIMPLE) family. Pin compatible with Bel's 79102xx-x series, these modules provide the same functionality in a smaller package offered at a lower price. Additionally, these modules provide lower power consumption and improved thermal dissipation due to the use of high efficiency switching regulator technology.

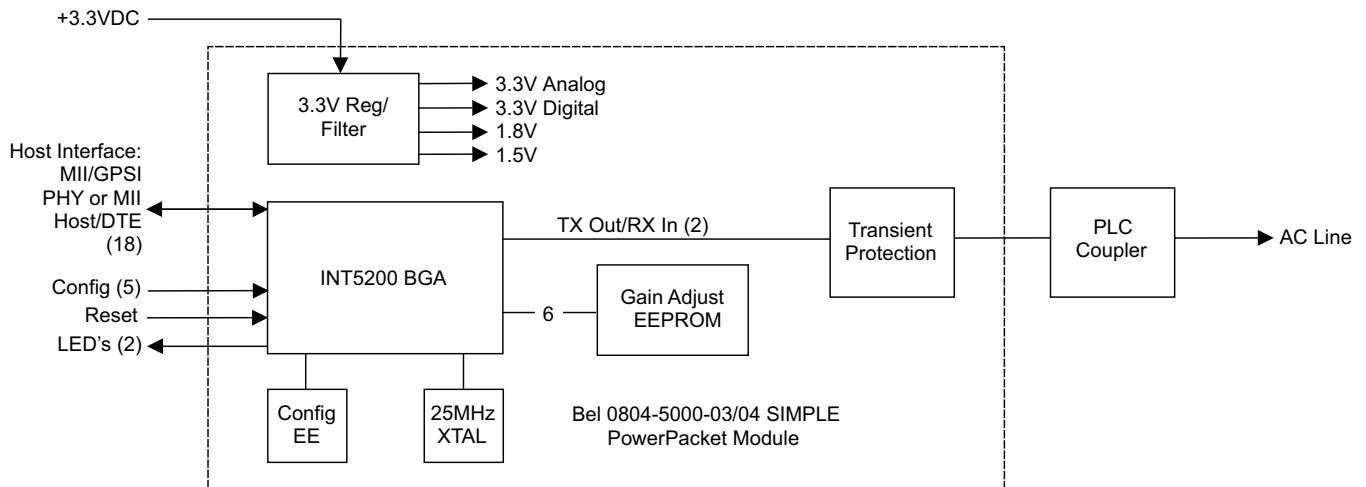
These modules are specifically designed to allow future Intellon ICs to be used without board redesign. As new baseband/AFE ICs are introduced by Intellon, pin and function compatible SIMPLE modules can be used to provide improved functionality and/or reduced cost without requiring any redesign of products using SIMPLE modules.

Based on the industry leading Intellon single-chip PowerPacket transceiver, these modules integrate most of the components required in a HomePlug solution on a tiny single in-line package. This package can be easily connected into any existing embedded system via the proprietary SIMPLE PowerBus™ header instantly adding HomePlug functionality with virtually no PCB space and without the hassle of a system redesign.

Each module integrates the chip, crystal, EEPROM, discrete RX filter and DC regulators into one single device. The only external components required are the PLC coupler and transient protection on the AC side of the main power supply. The host interface for any of the modules can be configured to be MII PHY, GPSI PHY or MII Host/DTE.

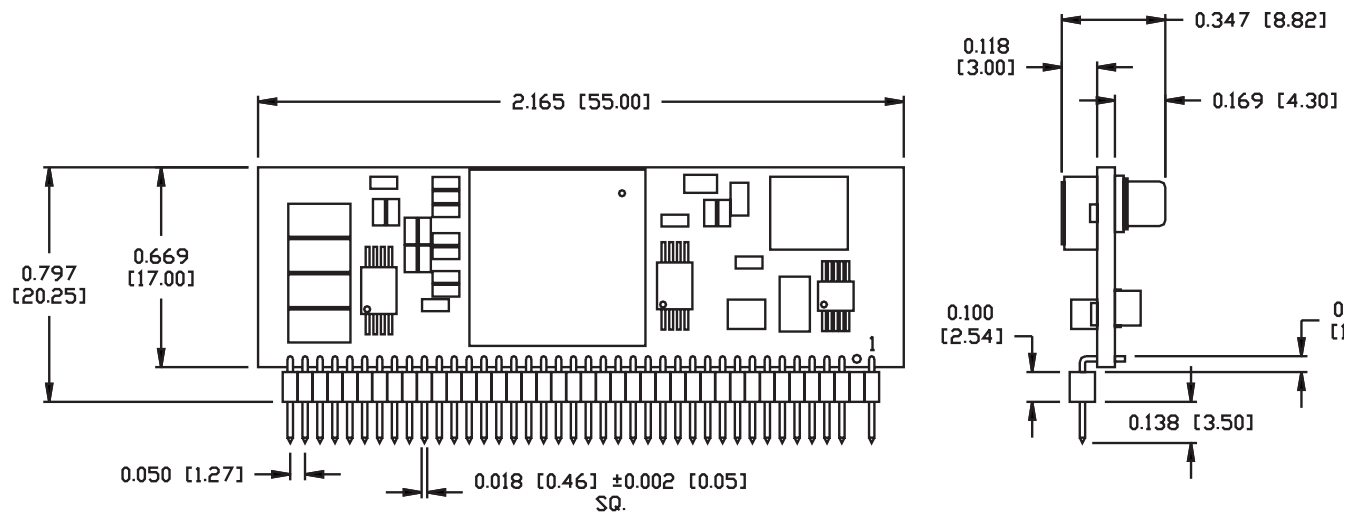
The modules are truly the industry's most integrated and cost effective way of adding HomePlug 1.0 functionality to any embedded networking or consumer electronics product.

#### BLOCK DIAGRAM



#### MECHANICAL

##### 0804-5000-03 Vertical Mount



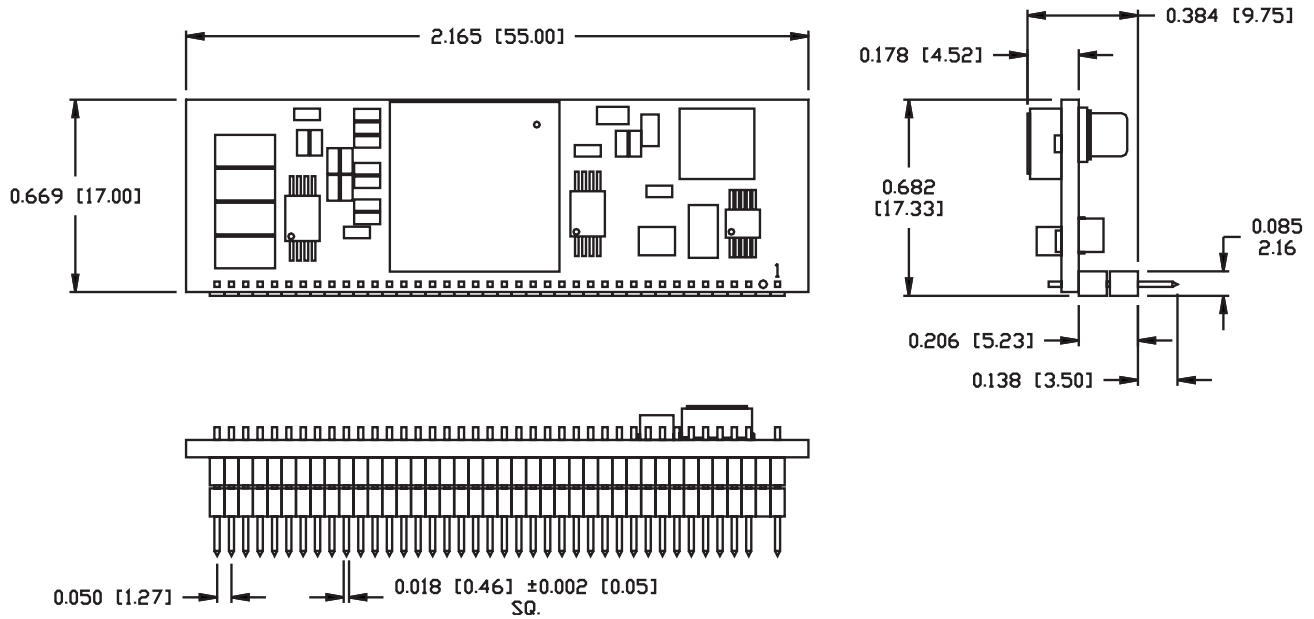


# POWERLINE MODULES

Low Power SIMPLE™ Embedded PowerPacket™ Modules

## MECHANICAL

### 0804-5000-04 Right Angle Mount



©2004 Bel Fuse Inc. Specifications subject to change without notice. 07.16.04  
Intellon, PowerPacket, SIMPLE and SIMPLE PowerBus are registered trademarks of Intellon Corporation.

#### CORPORATE

**Bel Fuse Inc.**  
206 Van Vorst Street  
Jersey City, NJ 07302  
Tel 201-432-0463  
Fax 201-432-9542  
www.belfuse.com

#### FAR EAST

**Bel Fuse Ltd.**  
8F / 8 Luk Hop Street  
San Po Kong  
Kowloon, Hong Kong  
Tel 852-2328-5515  
Fax 852-2352-3706  
www.belfuse.com

#### EUROPE

**Bel Stewart Connector**  
45/46 Riverside  
Medway City Estate  
Rochester, Kent ME2 4DP U.K.  
Tel 44-1634-722890  
Fax 44-1634-716677  
www.belfuse.com