

# INTEGRATED CONNECTOR MODULES

0833-2X4R-54-F Gigabit Ethernet MagJack® 2 x 4



## ELECTRICAL CHARACTERISTICS @ 25°C

### TURNS RATIO

TP1	1CT : 1CT ±2%
TP2	1CT : 1CT ±2%
TP3	1CT : 1CT ±2%
TP4	1CT : 1CT ±2%

### □CL @ 100kHz/100mVRMS

8mA DC BIAS 350μH MIN.

### INS. LOSS

0.1MHz TO 1MHz	-1.1 dB MAX
1MHz TO 65MHz	-0.5 dB MAX
65MHz TO 100MHz	-0.8 dB MAX
100MHz TO 125MHz	-1.2 dB MAX

### RET. LOSS (MIN)

0.5MHz-40MHz	-18 dB
40MHz-100MHz	-12+20LOG(f/80MHz) dB

### CM TO CM REJ

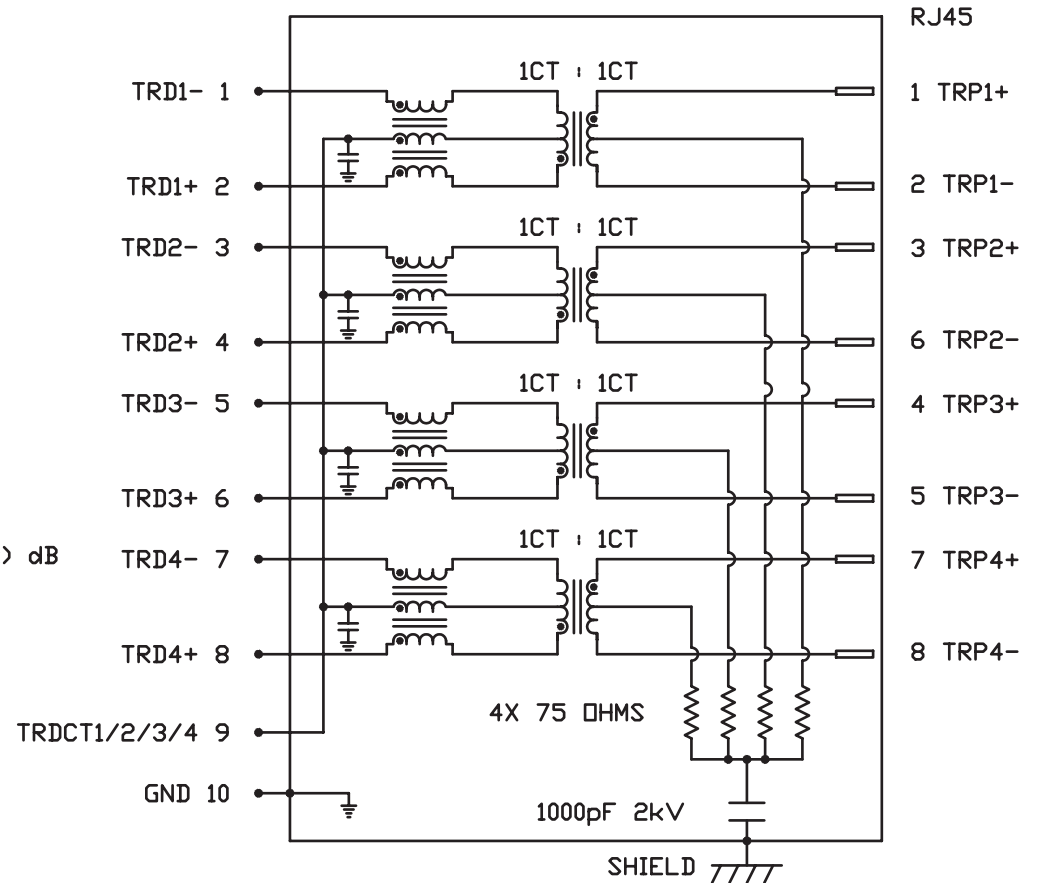
100kHz - 100MHz -30 dB MIN

### CM TO DM REJ

100kHz - 100MHz -35 dB MIN

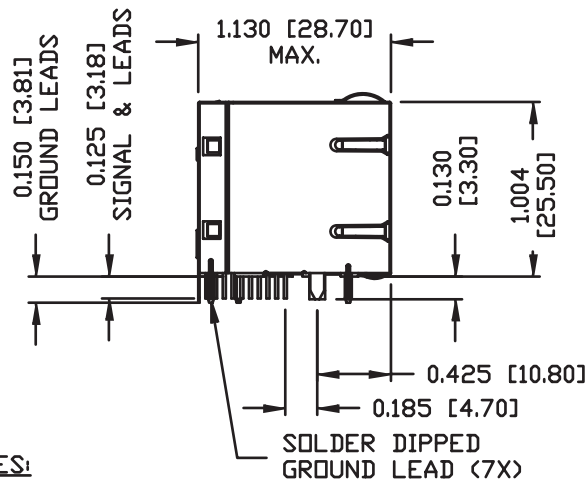
### HIPOT (Isolation Voltage):

1500 Vrms



# INTEGRATED CONNECTOR MODULES

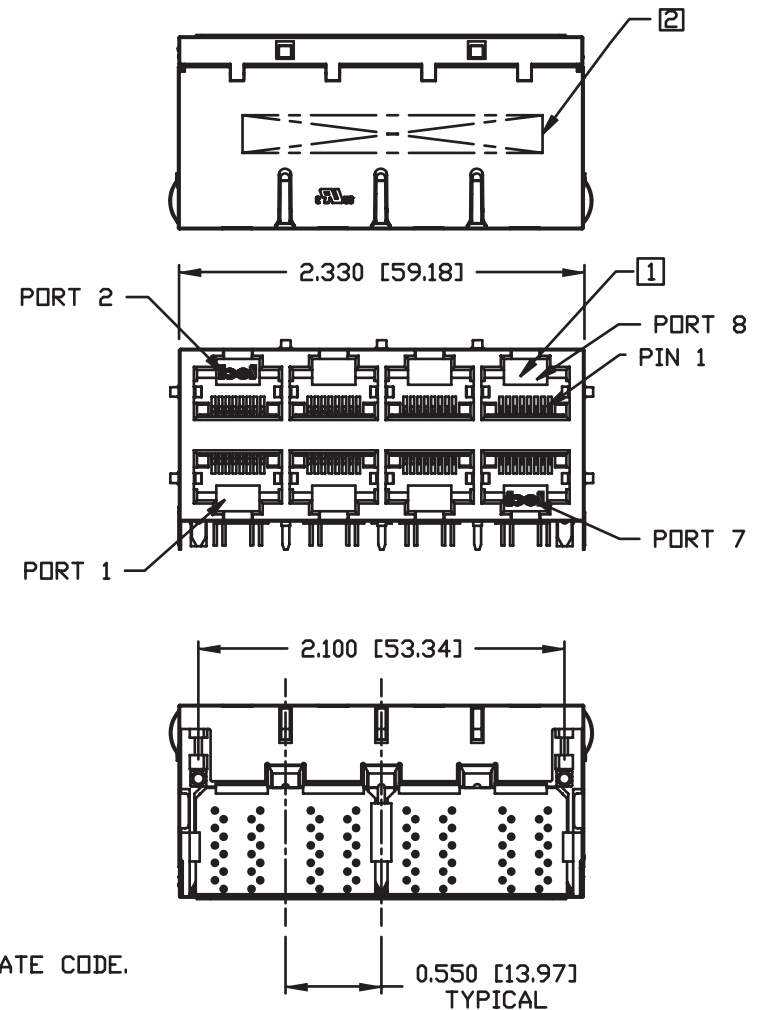
0833-2X4R-54-F Gigabit Ethernet MagJack® 2 x 4



**NOTES:**

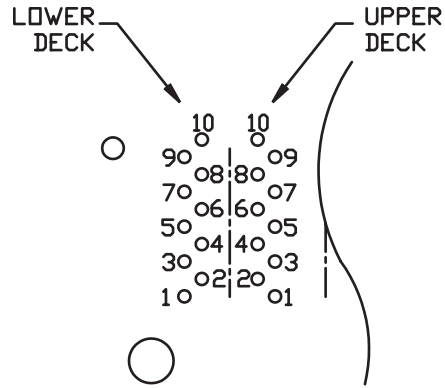
- PLASTIC HOUSING: THERMOPLASTIC PBT  
FLAMMABILITY RATING UL 94V-0
- CONTACT PLATING: 50 MICRO-INCH HARD GOLD PLATING
- OUTPUT PINS: TIN-COATED COPPER WIRE, DIA 0.018 INCH.
- METAL SHIELD: NICKEL PLATED COPPER ALLOY.  
(ALL GROUND LEADS ARE SOLDER DIPPED)

- 1] JACK CAVITY CONFORMS TO FCC RULES AND REGULATIONS, PART 68 SUBPART F.
  - 2] MARK PART WITH MFG LOGO, MFG NAME, PART NUMBER, AND DATE CODE.
- UL RECOGNIZED - FILE #E196366 AND E169987.  
RoHS COMPLIANT, PER EU DIRECTIVE 2002/95/EC.



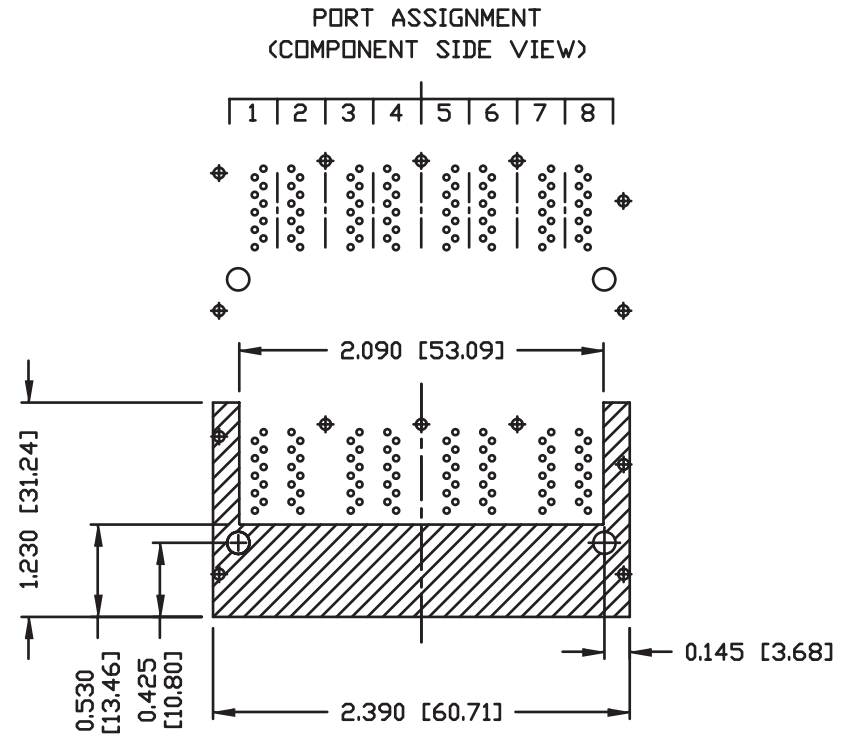
# INTEGRATED CONNECTOR MODULES

0833-2X4R-54-F Gigabit Ethernet MagJack® 2 x 4



PIN-OUT INFORMATION  
(COMPONENT SIDE VIEW)

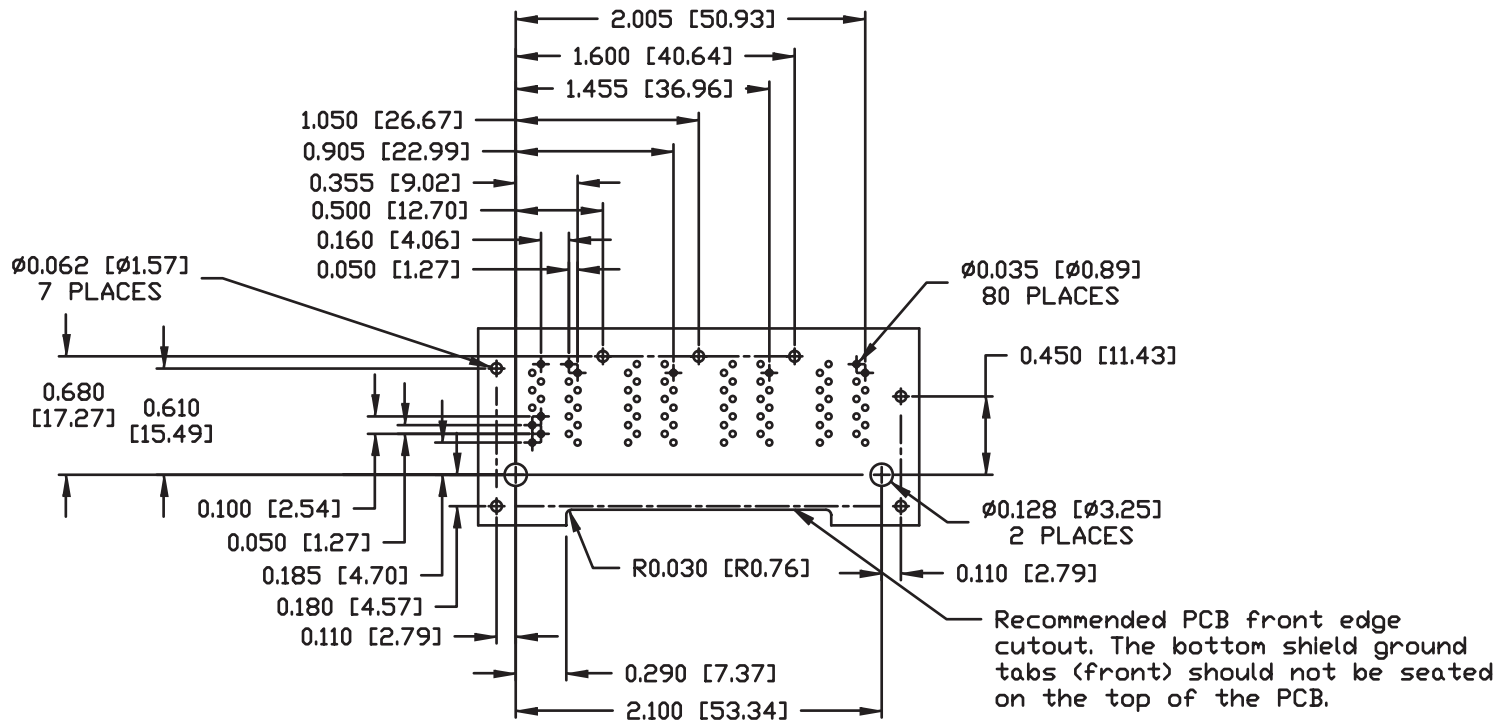
10	GND
9	TRCT1/2/3/4
8	TRD 4+
7	TRD 4-
6	TRD 3+
5	TRD 3-
4	TRD 2+
3	TRD 2-
2	TRD 1+
1	TRD 1-



THE SHADED AREA ON THE CUSTOMER BOARD ARE RECOMMENDED TO BE CLEAR OFF ANY VIA HOLE OR COMPONENT PAD.

# INTEGRATED CONNECTOR MODULES

0833-2X4R-54-F Gigabit Ethernet MagJack® 2 x 4



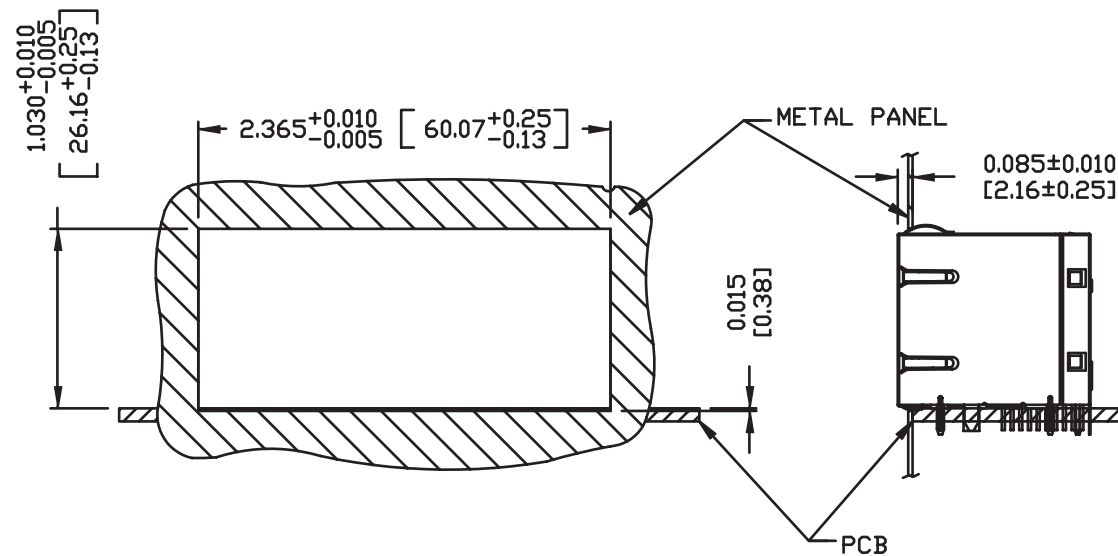
SUGGESTED FOOTPRINT  
(COMPONENT SIDE VIEW)

# INTEGRATED CONNECTOR MODULES

0833-2X4R-54-F Gigabit Ethernet MagJack® 2 x 4



## SUGGESTED PANEL OPENING



### NOTES:

THE DISTANCE OF PANEL INSIDE SURFACE RELATIVE TO FRONT SURFACE OF PART IS ONLY A SUGGESTION. IN CASE THIS DISTANCE IS DIFFERENT, THE REQUIRED PANEL OPENING DIMENSIONS CHANGE ACCORDINGLY.

### PACKING INFORMATION

PACKING TRAY : 0200-0148-46 (TOP)

0200-0148-47 (BOTTOM)

PACKING QUANTITY : 20 PCS FINISHED GOODS PER TRAY.

7 TRAYS (140 PCS FINISHED GOODS) PER CARTON BOX.

NOTE : CARDBOARDS ARE PLACED BETWEEN LAYERS OF PACKING TRAY INSIDE CARTON BOX.  
(INCLUDE THE UPPERMOST AND LOWERMOST TRAY)