

# INTEGRATED CONNECTOR MODULES

## 0873-2X6R-66-F Power over Ethernet MagJack® with LEDs 2 x 6



### ELECTRICAL CHARACTERISTICS @ 25°C

#### URNS RATIO

TP1	1CT : 1CT ±2%
TP2	1CT : 1CT ±2%
TP3	1CT : 1CT ±2%
TP4	1CT : 1CT ±2%

#### DCL @ 100kHz/100mVRMS

8mA DC BIAS	350 μH MIN.
-------------	-------------

#### INS. LOSS

0.1MHz TO 1MHz	-1.1 dB MAX
1MHz TO 65MHz	-0.5 dB MAX
65MHz TO 100MHz	-0.8 dB MAX
100MHz TO 125MHz	-1.2 dB MAX

#### RET. LOSS (MIN)

0.5MHz-40MHz	-18 dB
40MHz-100MHz	-12+20LOG(F/80MHz) dB

#### CM TO CM REJ

100kHz - 100MHz	-30 dB MIN
-----------------	------------

#### CM TO DM REJ

100kHz - 100MHz	-35 dB MIN
-----------------	------------

#### HIPOT (Isolation Voltage)

2250 VDC

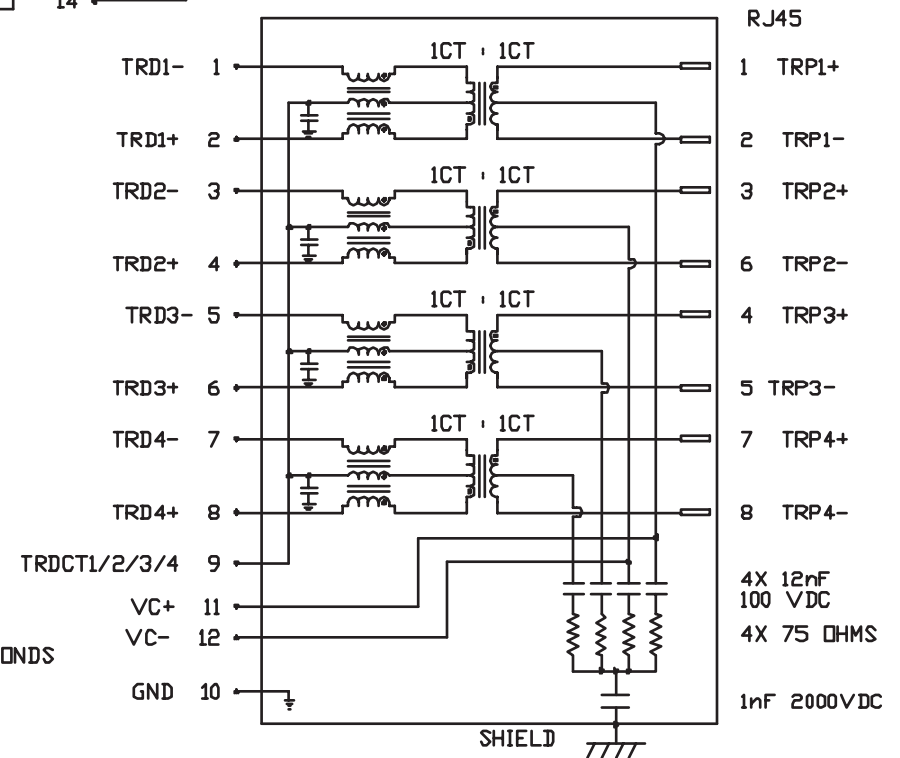
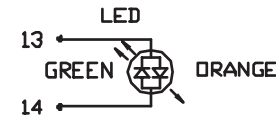
#### BALANCED DC LINE CURRENT

350 mA MAX. @ 57 VDC CONTINUOUS  
500 mA MAX. @ 57 VDC for 200 MILLISECONDS

#### LED

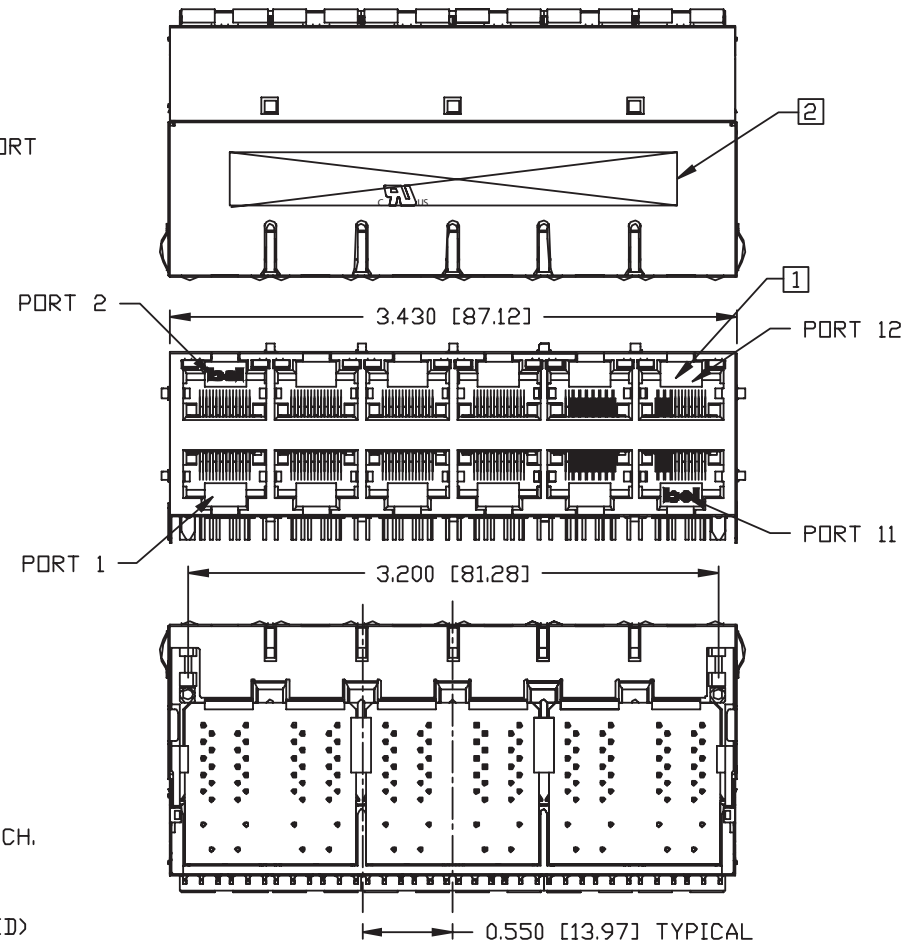
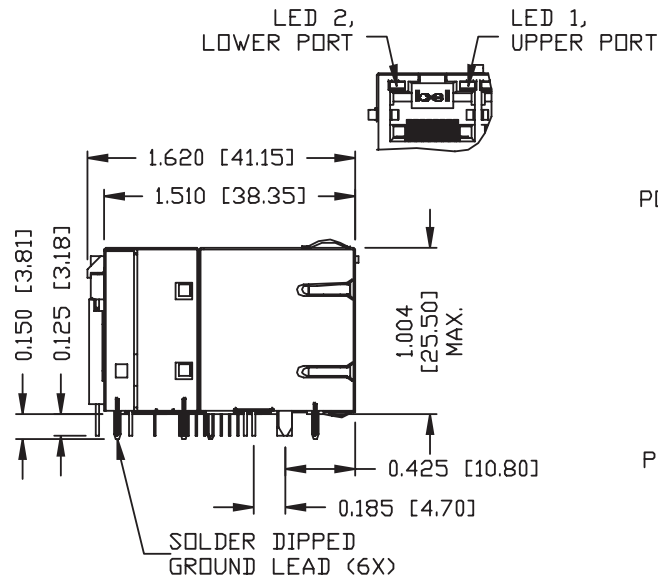
VF (FORWARD VOLTAGE)	IF=20mA	GREEN	2.2V TYP.
		ORANGE	2.0V TYP.
λD (DOMINANT WAVELENGTH)	IF=20mA	GREEN	565nm TYP.
		ORANGE	610nm TYP.

BI-COLOR LED POLARITY		
PIN	GREEN	ORANGE
13	-	+
14	+	-



# INTEGRATED CONNECTOR MODULES

## 0873-2X6R-66-F Power over Ethernet MagJack® with LEDs 2 x 6



**NOTES:**

PLASTIC HOUSING: THERMOPLASTIC PBT  
FLAMMABILITY RATING UL 94V-0

CONTACT PLATING: 50 MICRO-INCH HARD GOLD PLATING

OUTPUT PINS: TIN-COATED COPPER WIRE, DIA 0.018 INCH.

SOLDERABILITY: PER MIL STD, 202, METHOD 208.

METAL SHIELD: NICKEL PLATED COPPER ALLOY.  
(ALL GROUND LEADS ARE SOLDER DIPPED)

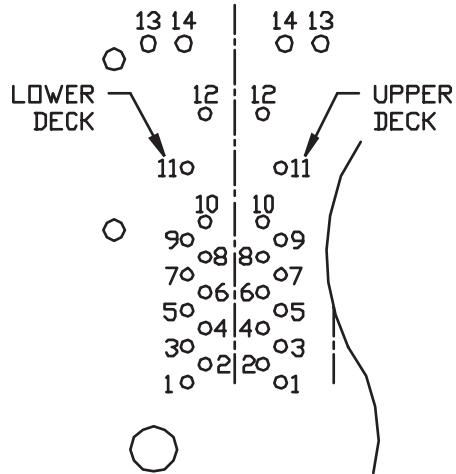
- 1 JACK CAVITY CONFORMS TO FCC RULES AND REGULATIONS, PART 68 SUBPART F.
- 2 MARK PART WITH MFG LOGO, NAME, PART NUMBER AND DATE CODE.

UL US UL RECOGNIZED - FILE #E196366 AND E169987.

- 3. RoHS COMPLIANCE, PER EU DIRECTIVE 2002/95/EC.

# INTEGRATED CONNECTOR MODULES

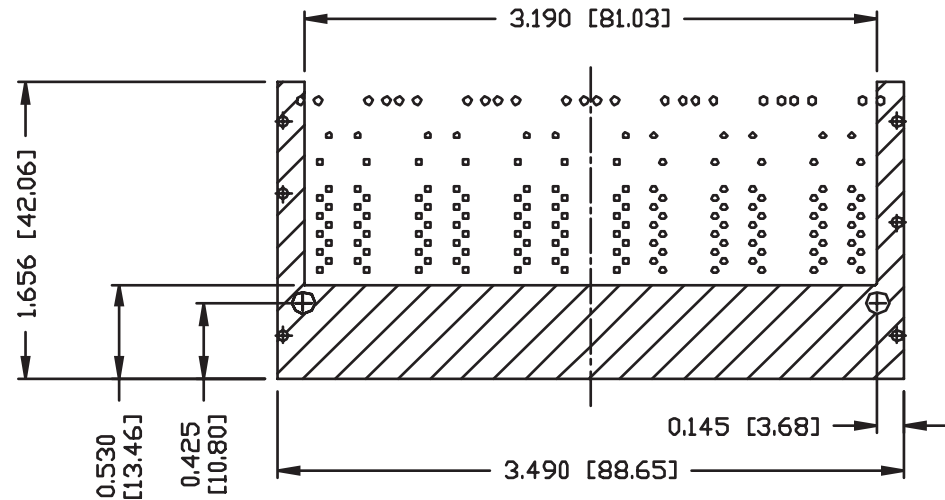
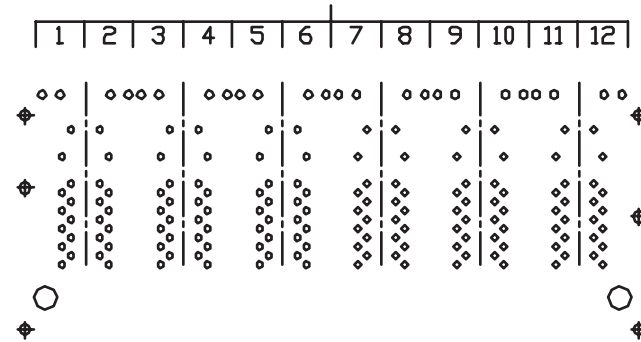
## 0873-2X6R-66-F Power over Ethernet MagJack® with LEDs 2 x 6



PIN-OUT INFORMATION  
(COMPONENT SIDE VIEW)

14	GRN (+)/DRG (-)
13	GRN (-)/DRG (+)
12	VC2
11	VC1
10	GND
9	TRCT1/2/3/4
8	TRD 4+
7	TRD 4-
6	TRD 3+
5	TRD 3-
4	TRD 2+
3	TRD 2-
2	TRD 1+
1	TRD 1-

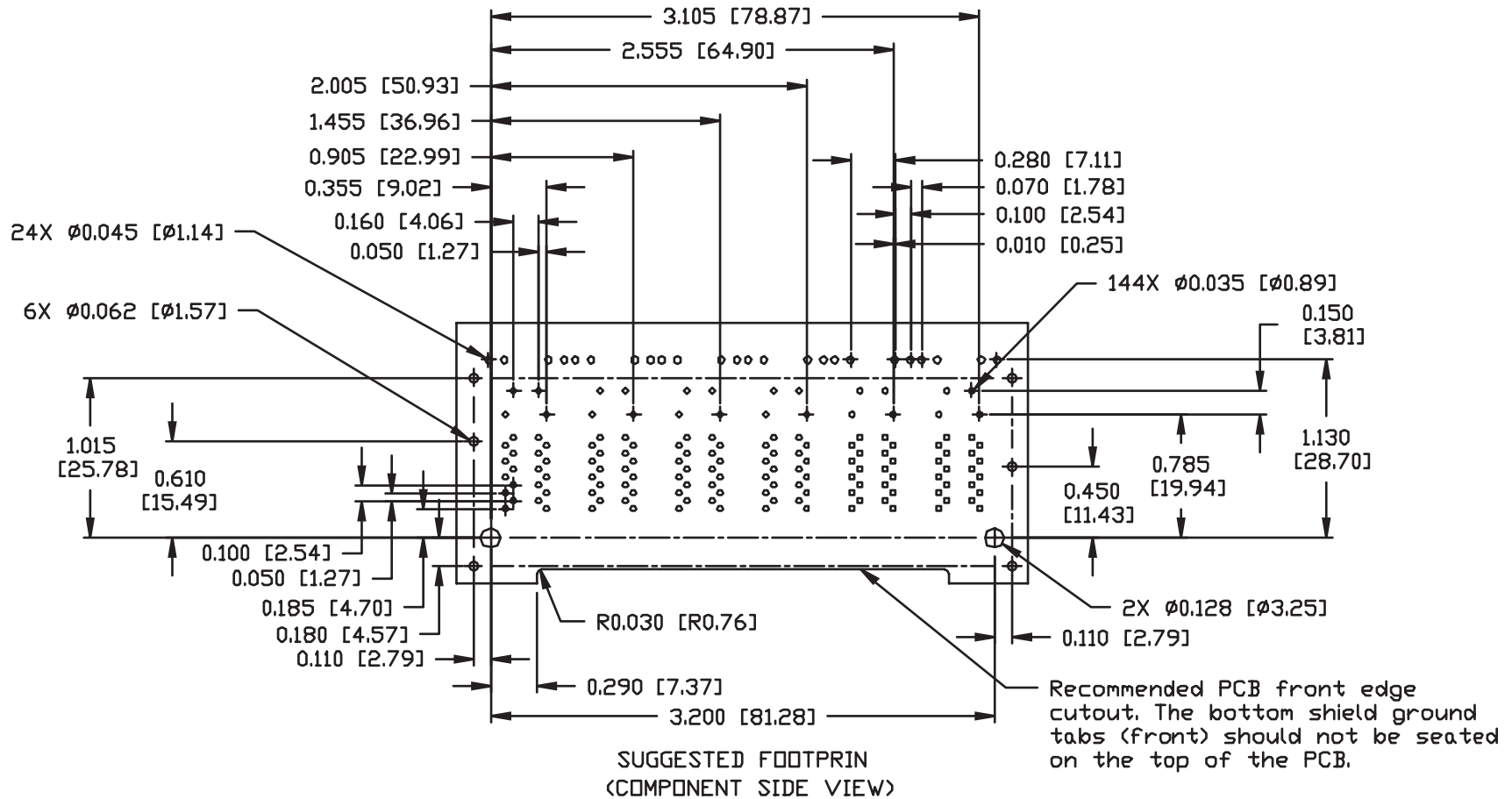
PORT ASSIGNMENT  
(COMPONENT SIDE VIEW)



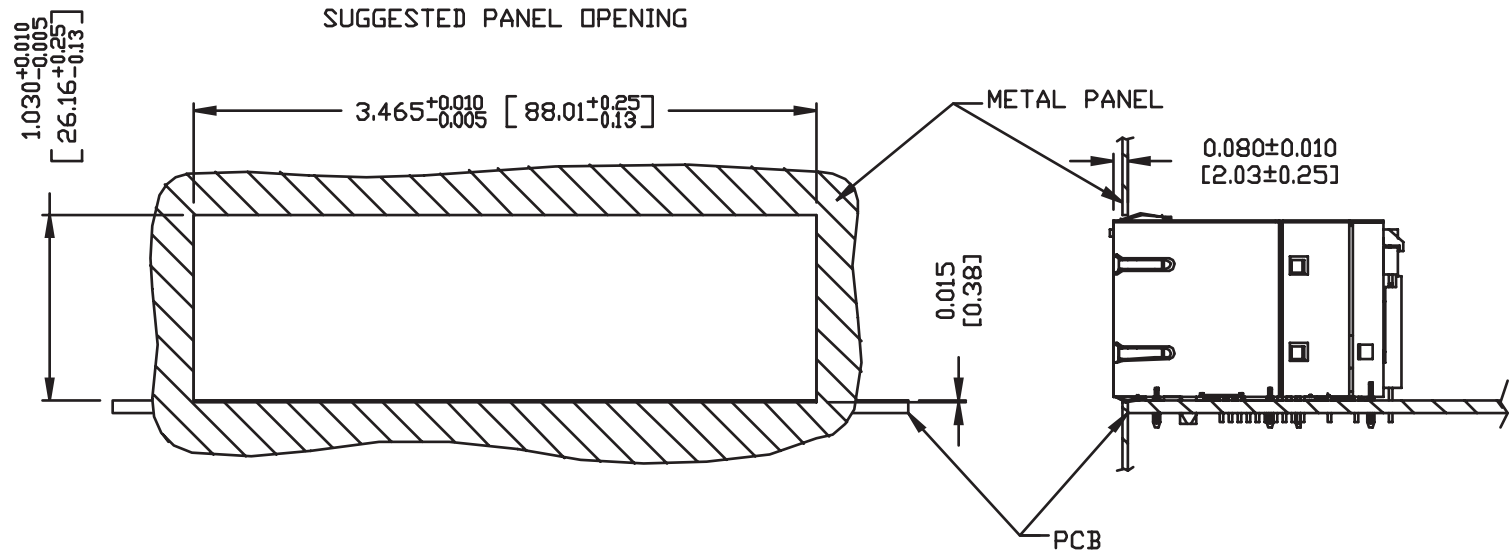
THE SHADED AREA OF BOTTOM SIDE OF PART  
MAY BE COVERED BY METAL SHIELD.

# INTEGRATED CONNECTOR MODULES

## 0873-2X6R-66-F Power over Ethernet MagJack® with LEDs 2 x 6



**INTEGRATED CONNECTOR MODULES**  
**0873-2X6R-66-F Power over Ethernet MagJack® with LEDs 2 x 6**



NOTE:  
 THE DISTANCE OF PANEL INSIDE SURFACE RELATIVE TO FRONT SURFACE OF PART IS ONLY A SUGGESTION.  
 IN CASE THIS DISTANCE IS DIFFERENT, THE REQUIRED PANEL OPENING DIMENSIONS CHANGE ACCORDINGLY.

**PACKING INFORMATION**

PACKING TRAY : 0200-9999-B7 (TOP)

0200-9999-G6 (BOTTOM)

PACKING QUANTITY : 15 PCS FINISHED GOODS PER TRAY.

5 TRAYS (75 PCS FINISHED GOODS) PER CARTON BOX.

NOTE : CARDBOARDS ARE PLACED BETWEEN LAYERS OF PACKING TRAY INSIDE CARTON BOX.  
 (INCLUDE THE UPPERMOST AND LOWERMOST TRAY)