

# ISDN S Interface Mini Hybrid

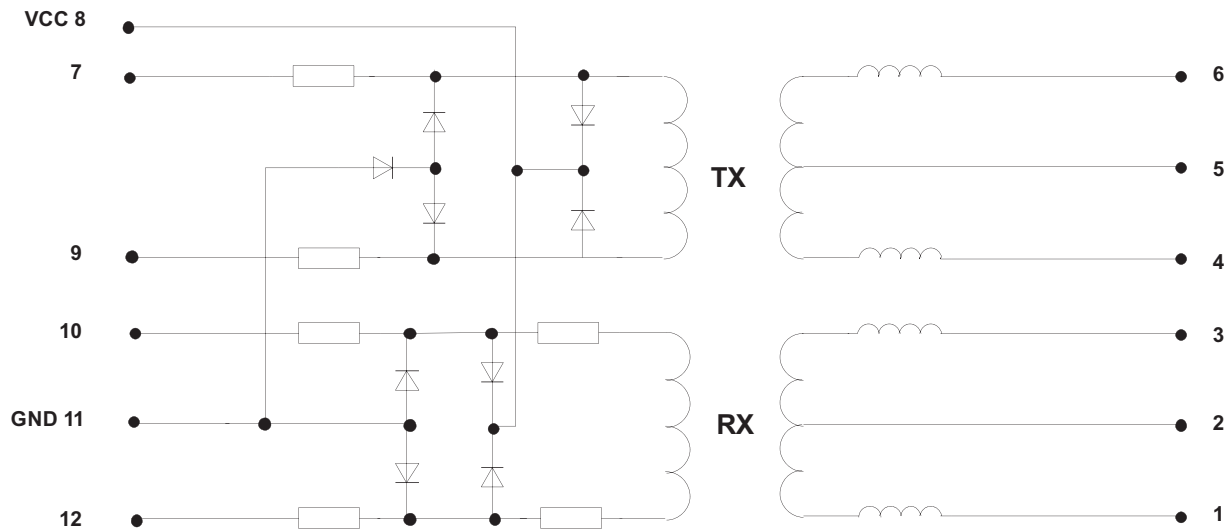
APC8305

## ELECTRICAL SPECIFICATIONS @ 25°C

Turns Ratio +/-5%	Primary Inductance mH min	Leakage Inductance uH max	Primary DCR OHMS +/- 20%	Secondary DCR OHMS +/- 20%	Choke	
					Inductance per line mH nom	DCR per line OHMS
1CT:1	22	10	1.25	1.25	0.04	0.5

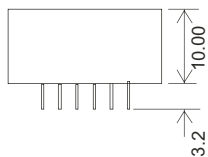
NOTES: ISOLATION PRI:SEC 1500VRMS  
DESIGNED FOR USE WITH INFINEON PEB3086, PEB3186, PEB3081

## SCHEMATIC

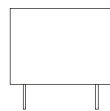


## MECHANICAL

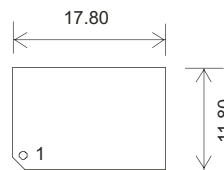
SIDE ELEVATION



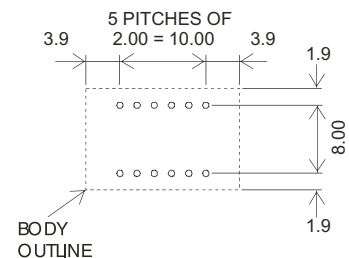
END ELEVATION



PLAN VIEW



BOTTOM VIEW



NOTES: NOT TO SCALE  
TOLERANCE +/- 0.2MM  
ALL DIMENSIONS IN MM

PIN DIAMETER 0.75MM MAX  
DOT ON TOP SURFACE INDICATES PIN 1