



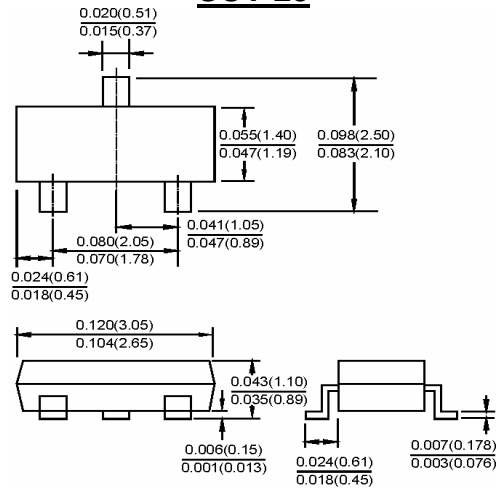
SOT-23

Features

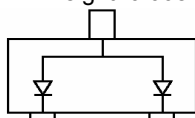
- ✧ Fast switching speed
- ✧ Surface mount package ideally suited for automatic insertion
- ✧ For general purpose switching applications
- ✧ High conductance

Mechanical Data

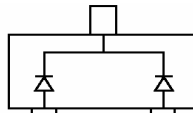
- ✧ Case: SOT-23, Molded plastic
- ✧ Terminals: Solderable per MIL-STD-202, Method 208
- ✧ Polarity: See diagram
- ✧ Marking: BAW56: A1, BAV70: A4, BAV99: A7
- ✧ Weight: 0.008 gram (approx.)



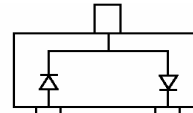
Dimensions in inches and (millimeters)



BAW56 Marking: A1



BAV70 Marking: A4



BAV99 Marking: A7

Maximum Ratings				TA=25°C unless otherwise specified	
Type Number	Symbol	BAW56/BAV70/BAV99	Units		
Reverse Voltage	V_R	70	V		
Forward Current	I_F	200	mA		
Peak Forward Surge Current	$I_{FM(surge)}$	500	mA		
Power Dissipation	P_D	225	mW		
Thermal Resistance Junction to Ambient Air	$R_{\theta JA}$	556	°C/W		
Junction Temperature	T_J	150	°C		
Storage Temperature Range	T_{STG}	-55 to 150	°C		
Electrical Characteristics					
Type Number	Symbol	Min	Max	Units	
Reverse Breakdown Voltage	V_R	70		V	
Forward Voltage	V_F	-	0.715 0.855 1.0 1.25	V	
Reverse Current	I_R		2.5	µA	
Capacitance between terminals	C_j	-	1.5	pF	
Reverse Recovery Time (Note 1)	t_{rr}	-	6.0	nS	

Note 1: Reverse Recovery Test Conditions: $I_F=I_R=10mA$, $I_{rr}=0.1 \times I_R$, $R_L=100\Omega$.

RATINGS AND CHARACTERISTIC CURVES (BAW66/BAV70/BAV99)

