

HIGH FREQUENCY MAGNETICS

T1/E1 Miniature Octal Transformer Module

TM01112

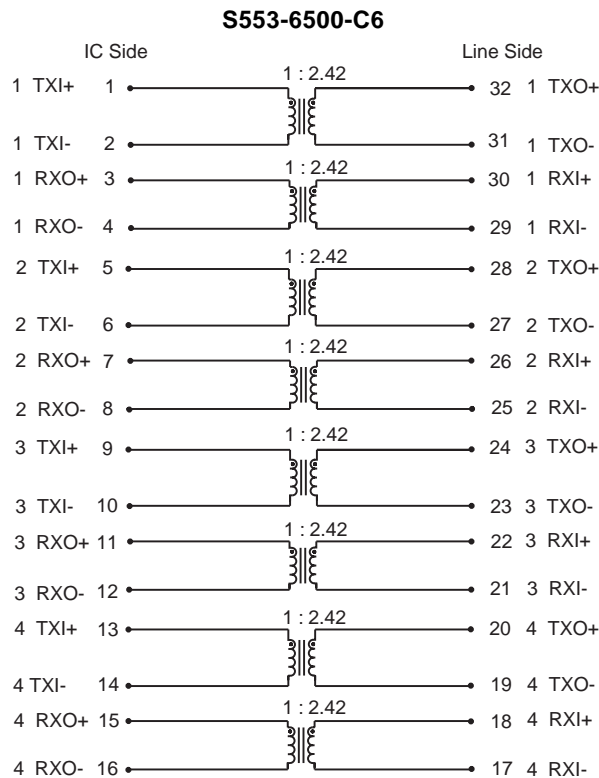
- Optimized for PMC Sierra PM4354 Quad COMET
- Eight transformers in one surface-mount package
- Miniature octal 32-pin platform provides 33% area reduction compared to standard octal package
- Electrically identical to S553-6500-A7
- Meets ITU-T G.703 return loss from -40° to +85° C
- UL 1950 approved: file number E150991
- Operating temperature range -40° to +85°C
- Meets IEC 695, 2-2 flammability requirements
- PWB Process Capability: standard printed wiring board assembly techniques, total-immersion cleaning
- Reliability testing: Shock, vibration, temperature cycling, temperature - humidity - bias
- Interwinding breakdown voltage: 1500 Vrms min

ELECTRICAL SPECIFICATIONS at 25° C

Part Number	Turns Ratio ±2%		Primary Inductance at 10 kHz		Leakage Inductance at 1 MHz		DCR Ω max				Capacitance pF max	Return Loss at 102 kHz 120Ω Application ¹			
	IC : Line		µH min		µH max		IC Side		Line Side		Winding to Winding	25° C dB typ		-40 to +85° C dB min	
	TX	RX	TX	RX	TX	RX	TX	RX	TX	RX		TX	RX	TX	RX
S553-6500-C6	1 : 2.42	1 : 2.42	950	950	0.3	0.3	0.6	0.6	1.3	1.3	35	18	27	17	24

1. Terminated in 25.4 Ω for TX and 18.2 Ω for RX

SCHEMATIC

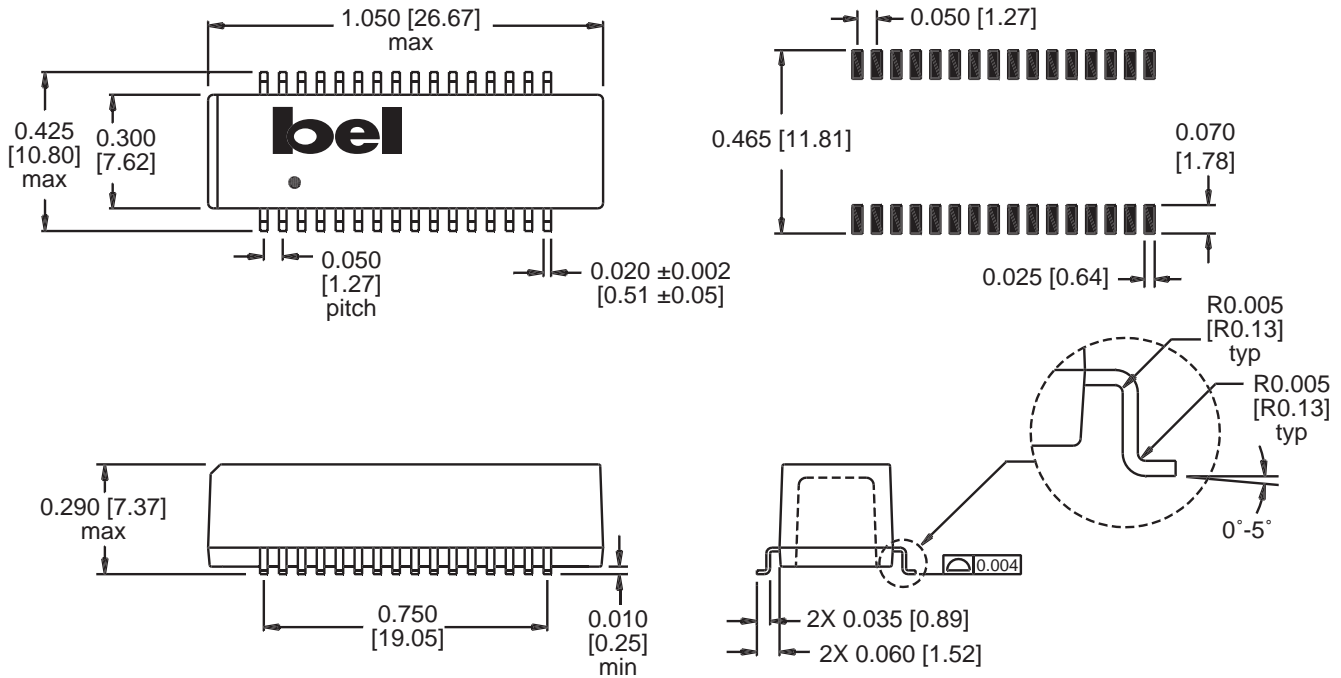


©2001 Bel Fuse Inc. Specifications subject to change without notice. 09.01

TM01112

MECHANICAL

S553-6500-C6



Dimensions are in inches [millimeters].
Standard dimension tolerance is ± 0.005 [0.13] unless otherwise noted.

Tape and Reel Packaging

44 mm wide by 16 mm pitch; 13 inch OD, 4 inch ID
400 modules per reel, maximum
Meets ANSI/EIA 481-2 Carrier Tape Standards - JEDEC SO Package

©2001 Bel Fuse Inc. Specifications subject to change without notice. 09.01

CORPORATE

Bel Fuse Inc.
206 Van Vorst Street
Jersey City, NJ 07302
Tel 201-432-0463
Fax 201-432-9542
www.belfuse.com

FAR EAST

Bel Fuse Ltd.
8F / 8 Luk Hop Street
San Po Kong
Kowloon, Hong Kong
Tel 852-2328-5515
Fax 852-2352-3706
www.belfuse.com

EUROPE

Bel Fuse Europe Ltd.
Preston Technology Management Centre
Marsh Lane, Suite G7, Preston
Lancashire, PR1 8UD, U.K.
Tel 44-1772-556601
Fax 44-1772-888366
www.belfuse.com