

## ADSL Magnetics

GlobeSpan Annex B CO

- Designed to meet UL1950 and IEC950 safety requirements
  - Operating temperature range: -40° C to +85° C
  - Meets IEC 695, 2-2 flammability requirements
- PWB Process Capability: standard printed wiring board assembly techniques, total-immersion cleaning
  - Reliability testing: shock, vibration, temperature cycling, temperature - humidity - bias

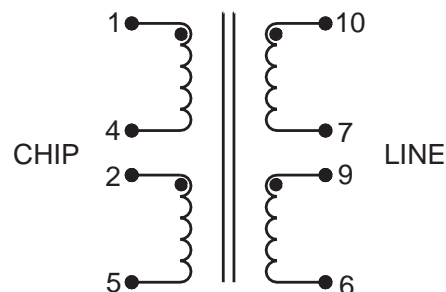
### ELECTRICAL SPECIFICATIONS AT 25° C

Part Number	Package	Turns Ratio <sup>1</sup> ± 2%	Inductance <sup>3</sup> μH	Leakage Inductance <sup>6</sup> μH max <sup>5</sup>	DCR Ω max				Dielectric Rating Vrms
		(1-5) : (10-6) <sup>2</sup>	(10-6) <sup>4</sup>	(10-6) <sup>2</sup>	(1-4)	(2-5)	(9-6)	(10-7)	(1-5) & (10-6) <sup>2</sup>
S560-6600-74	SMD	1 : 1.4	95 - 105	10	0.50	0.50	0.60	0.60	1500

1. measured at 20 kHz, 1 Vrms
2. connect terminals 2 to 4 & 7 to 9
3. measured at 10 kHz, 0.1 Vrms
4. connect terminals 7 to 9
5. measured at 100 kHz, 0.1 Vrms
6. short terminals 1, 2, 4, & 5

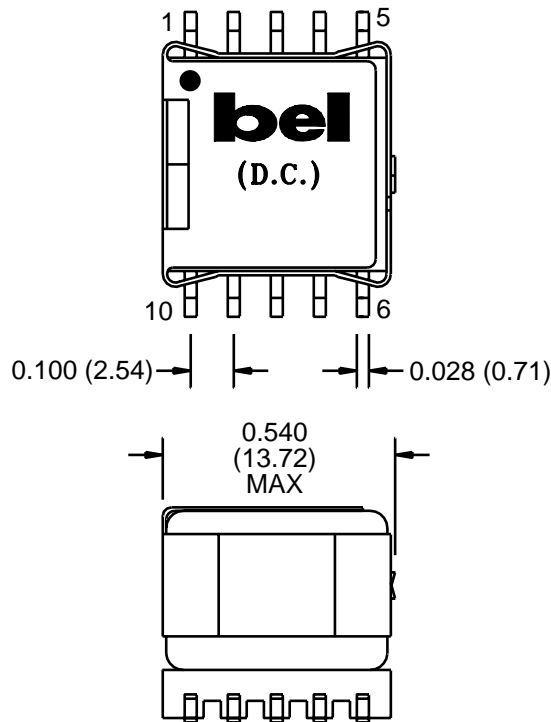
### SCHEMATIC

**S560-6600-74**

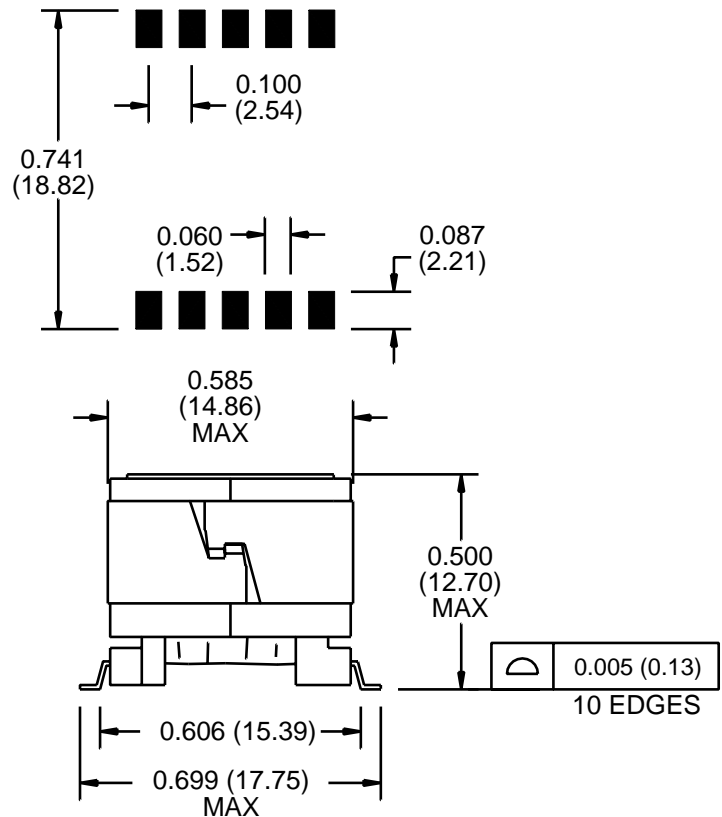


### MECHANICAL

S560-6600-74



### SUGGESTED PCB PAD LAYOUT



©2000 Bel Fuse Inc. Specifications subject to change without notice. 10.00

#### CORPORATE

**Bel Fuse Inc.**  
 198 Van Vorst Street  
 Jersey City, NJ 07302  
 Tel 201-432-0463  
 Fax 201-432-9542  
 www.belfuse.com

#### FAR EAST

**Bel Fuse Ltd.**  
 8F / 8 Luk Hop Street  
 San Po Kong  
 Kowloon, Hong Kong  
 Tel 852-2328-5515  
 Fax 852-2352-3706  
 www.belfuse.com

#### EUROPE

**Bel Fuse Europe Ltd.**  
 Preston Technology Management Centre  
 Marsh Lane, Suite G7, Preston  
 Lancashire, PR1 8UD, U.K.  
 Tel 44-1772-556601  
 Fax 44-1772-888366  
 www.belfuse.com