

Features

- Frequency Range: 1 - 1000 MHz
- Impedance Ratio: 1:4, Unbalanced to Balanced
- Industry Standard SMT package
- Available in Tape-and-Reel
- Low Cost

SURFACE MOUNT TRANSFORMER



Description

The XFM-1002-4W transformer is designed for applications that require small, low cost, and highly reliable surface mount components. Applications may be found in broadband, wireless and other communications systems.

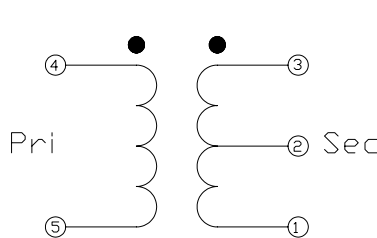
Specifications

| Parameter | Minimum | Maximum |
|-----------------------|------------------------|---------|
| Frequency Range (MHz) | 1 | 1000 |
| Insertion Loss <1dB | -- | -- |
| Insertion Loss <2dB | 5 | 1000 |
| Insertion Loss <3dB | 1 | 1000 |
| Impedance ratio | 1:4 | |
| Type | Unbalanced to Balanced | |

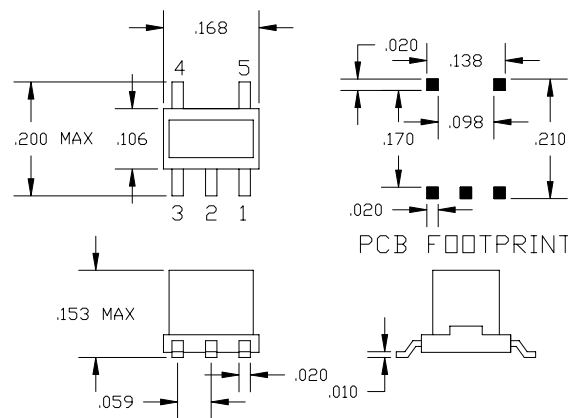
Absolute Maximum Ratings

| Parameter | Maximum |
|-----------------------|----------------|
| RF Power | +33 dBm |
| Operating Temperature | -55 to +100 °C |
| Storage Temperature | -55 to +100 °C |
| Re-flow Temperature | + 240 °C |

Schematic



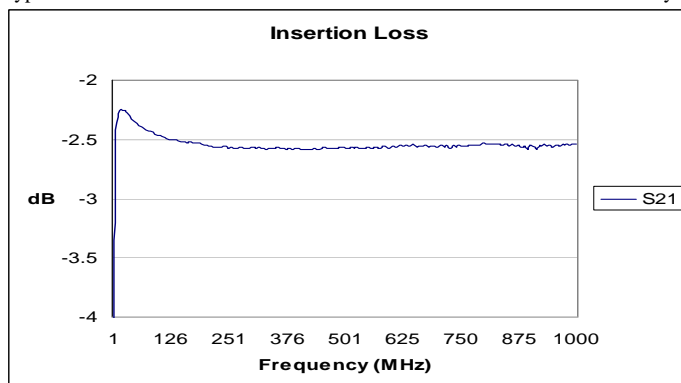
Package – S03



Pin Functions

| Function | Pin |
|---------------|-----|
| SECONDARY | 1 |
| SECONDARY CT | 2 |
| SECONDARY DOT | 3 |
| PRIMARY DOT | 4 |
| PRIMARY | 5 |

Typical Test Data – Insertion Loss of two units back-to-back @ 25°C. Primary Impedance 50 Ohms.



Specifications and information on this data sheet are subject to change without notice.