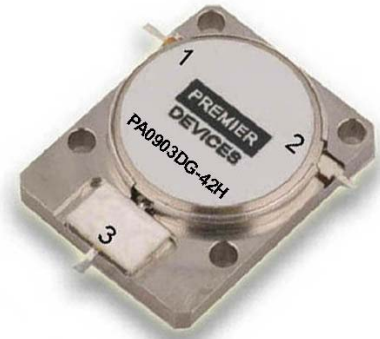
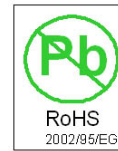


## DROP-IN ISO-ATTENUATOR

### Features

- Low Cost and **RoHS** Compliant
- Industry Standard 1 Inch Drop-in package
- Designed for Wireless Telecom Systems
- 50 Ohms Characteristic Impedance



### Description

The PA0903DG-42H is a small low cost drop-in Iso-Attenuator designed for applications in high performance linear power amplifiers for wireless base stations. These Iso-Attenuators feature a robust construction for high reliability with excellent IMD performance. These units are built Lead-Free and RoHS compliant. CCW rotation and special tab offsets available on request. S-Parameters are also available on request.

### Specifications

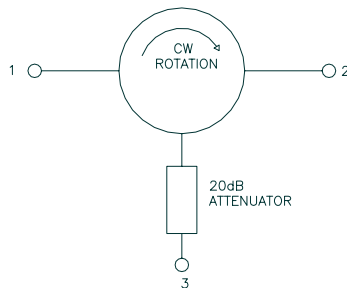
Parameter	Minimum	Typical	Maximum
Frequency Range (MHz)	885		920
Insertion Loss (dB)		<. 12	.30
Isolation (dB)	20	>30	
Return Loss (dB)	20	>30	
Attenuation (dB)	29	20	31
IMD (dBc) 2T x 37.5 Watts	-70	-75	

### Absolute Maximum Ratings

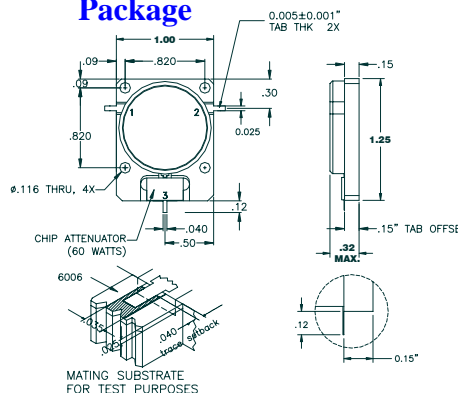
Parameter	Maximum
Forward Power	100 Watts
Reverse Power	60 Watts
Operating Temperature	-40 to +85 °C
Storage Temperature	-40 to +85 °C

Note: Typical values represent Mid-band performance @ 25°C.

### Schematic



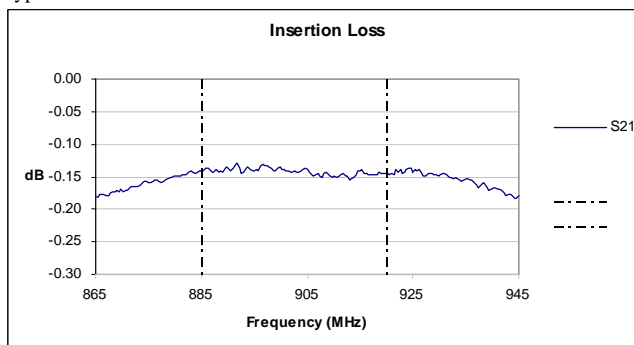
### Package



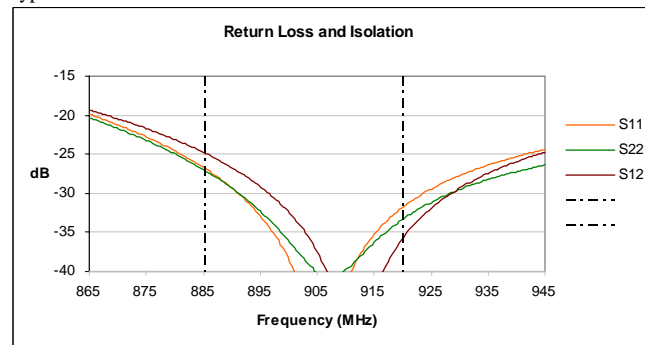
### Pin Functions

Function	Pin
INPUT	1
OUTPUT	2
ATTENUATION	3

Typical Test Data – Insertion Loss



Typical Test Data – Return Loss and Isolation



Specifications and information on this data sheet are subject to change without notice.