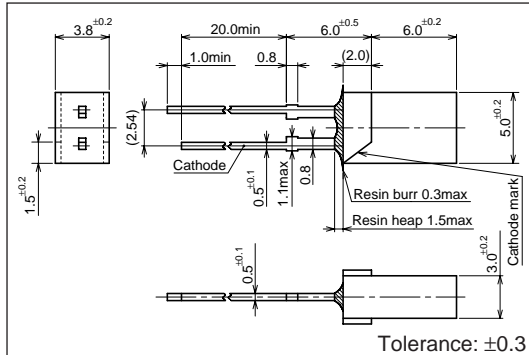


3×5 Rectangular LED

SEL1021 Series

External Dimensions (Unit: mm)



Absolute maximum ratings (Ta=25°C)

Symbol	Unit	Rating	Condition
I_F	mA	30	
ΔI_F	mA/°C	-0.45	Above 25°C
I_{FP}	mA	100	f=1kHz, $t_w \leq 100\mu s$
V_R	V	3	
Top	°C	-30 to +85	
Tstg	°C	-30 to +100	

Electrical Optical characteristics (Ta=25°C)

Emitting color	Part Number	Lens color	Forward voltage		Reverse current		Intensity		Peak wavelength		Spectrum half width		Chip material	
			V_F		I_R	V_R	I_v	I_F	λ_P	$\Delta\lambda$	I_F	I_F		
			typ	max										Condition I_F
Deep red	SEL1121R	Diffused red	2.0	2.5	10	50	3	0.9	10	700	10	100	10	GaP
Amber	SEL1821D	Diffused orange	1.9	2.5	10	50	3	3.0	10	610	10	35	10	GaAsP
Orange	SEL1921D	Diffused orange	1.9	2.5	10	50	3	3.8	10	587	10	33	10	
Yellow	SEL1721Y	Diffused yellow	2.0	2.5	10	50	3	7.0	10	570	10	30	10	GaP
Green	SEL1421G	Diffused green	2.0	2.5	10	50	3	12	20	560	10	20	10	