

TEW5615 is designed and approved to be used, as a transmit transformer in CEPT applications, 75 Ω coaxial line, with the following devices:

- STC TEL5219L

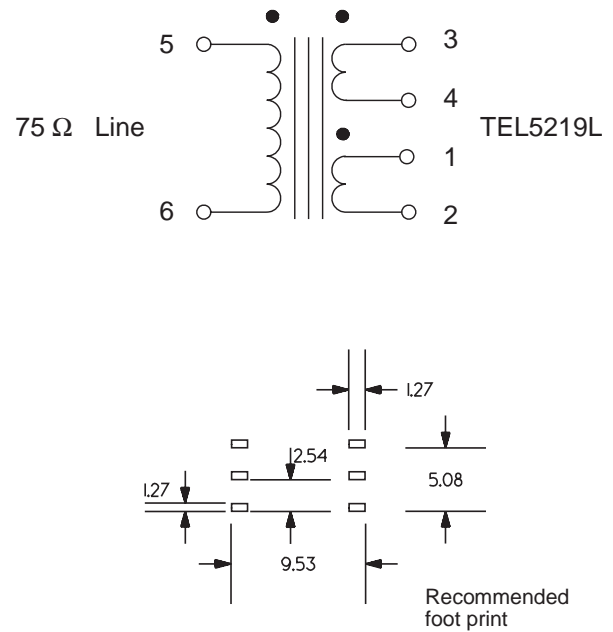
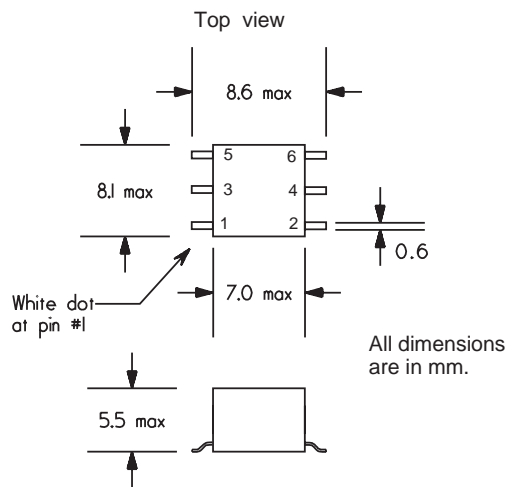
Complies with CCITT G.703 and I.431 with regards to Longitudinal Balance, Pulse Mask and Impedance.

Typical applications are:

- Primary rate ISDN network nodes.
- PBX or computer to T1/CEPT Digital Trunks.
- TDM Multiplexers.



MECHANICAL



ELECTRICAL SPECIFICATION

TEW5615

Line Impedance	(5 - 6)	75 Ω
Turns ratio	(1 - 2) : (3 - 4) : (5 - 6)	1.8 : 1.8 : 1
Inductance (mH)	(1 - 2) + (3 - 4)	> 0.5
Longitud. Bal.		I.431
Pulse Mask		G.703
Dielectric Strength (Vrms)		1500

ISSUE: A 94/11/11 5615.chp