



# SY58620L

## Precision 4.25Gbps CML Backplane Transceiver with Integrated Loopback

### General Description

The SY58620L is a low jitter, high-speed transceiver with a variable swing CML transmitter buffer and a CML high-gain receiver optimized for precision telecom and enterprise server transmission line and backplane data management. The SY58620L distributes data to 4.25Gbps guaranteed over temperature and voltage.

The SY58620L transmitter differential input includes Micrel's unique, 3-pin input termination architecture that directly interfaces to any (AC- or DC-coupled) differential signal as small as 100mV (200mV<sub>PP</sub>) without any termination resistor network in the signal path. The receiver differential input is optimized to interface directly to AC-coupled signals as small as 10mV (20mV<sub>PP</sub>). The outputs are 50Ω source-terminated CML with extremely fast rise/fall time.

To support remote self-testing, the SY58620L features a high-speed loopback test mode. The input control signal LOOPBACK enables an internal loopback path from the transmitter input to the receiver output.

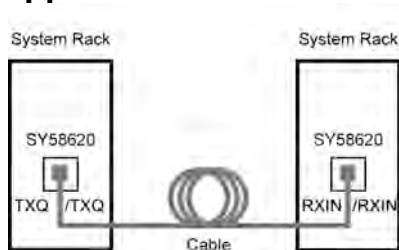
The SY58620L operates from a 3.3V ±10% supply and is guaranteed over the full industrial temperature range of -40°C to +85°C. The SY58620L is part of Micrel's high-speed, Precision Edge® product line.

All support documentation can be found on Micrel's web site at: [www.micrel.com](http://www.micrel.com).

### Applications

- Backplane management
- Active cable transceivers
- SONET/SDH data/clock applications
- 4X Fibre Channel applications

### Typical Applications



Precision Edge is a registered trademark of Micrel, Inc.  
MLF and *MicroLeadFrame* are trademarks of Amkor Technology, Inc.

Micrel Inc. • 2180 Fortune Drive • San Jose, CA 95131 • USA • tel +1 (408) 944-0800 • fax + 1 (408) 474-1000 • <http://www.micrel.com>



Precision Edge®

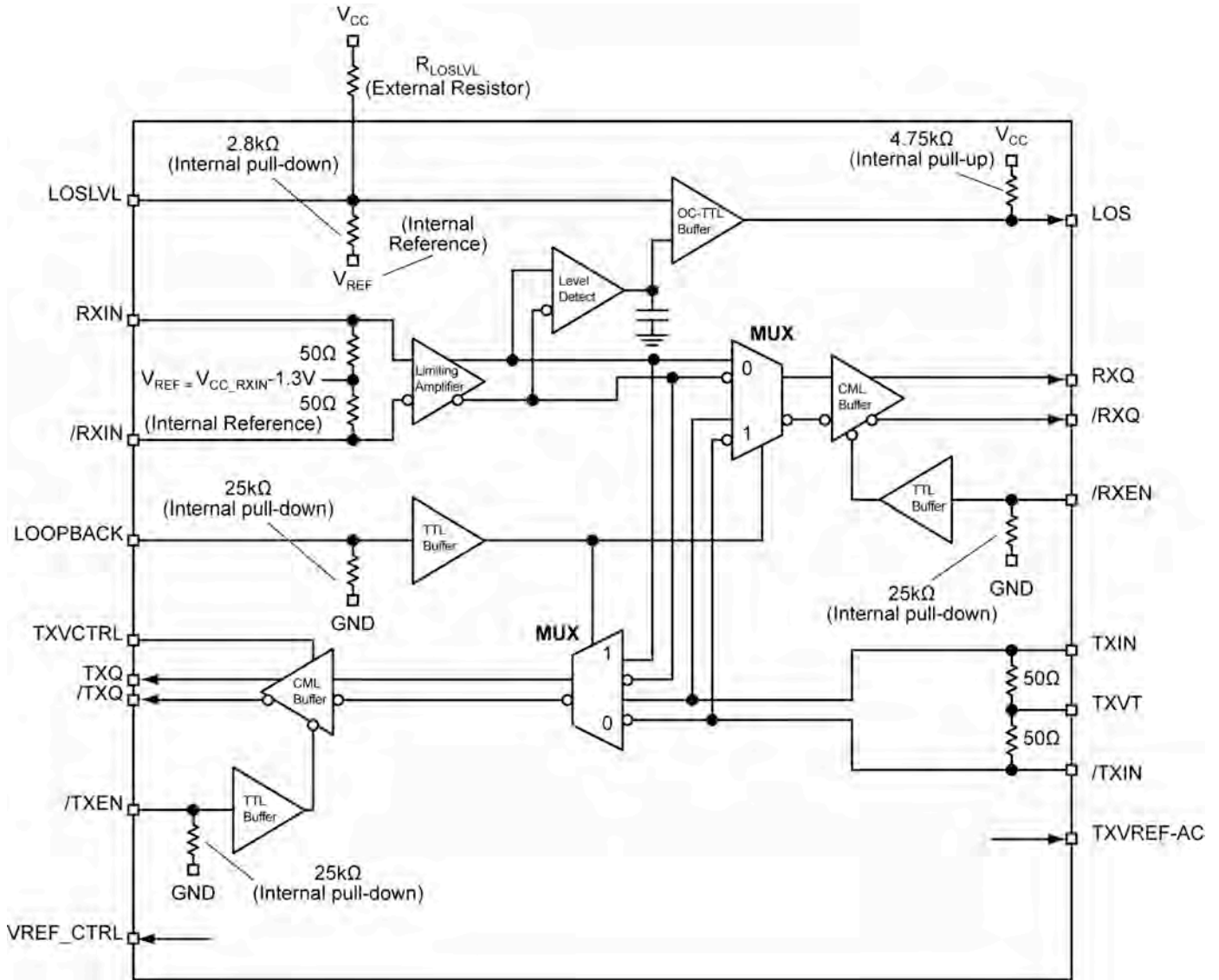
### Features

- Guaranteed AC performance over temperature and voltage:
  - Maximum Throughput 4.25Gbps
  - <120ps t<sub>r</sub>/t<sub>f</sub> time
- Transmitter
  - Patented input termination directly interfaces to AC- or DC-coupled differential inputs
  - Variable swing CML output
- Receiver
  - 32dB high-gain Input
  - Internal 50Ω input termination
  - Accepts AC-coupled input signals as small as 10mV (20mV<sub>PP</sub>)
  - 400mV (800mV<sub>PP</sub>) differential CML output swing
- Loss-of-Signal (LOS)
  - High-gain, TTL-compatible LOS output with internal 4.75kΩ pull-up
  - Programmable LOS level set
- Ultra-low jitter design
  - <5ps<sub>RMS</sub> random jitter
- Patent-pending MUX isolates the receiver and the transmitter channels minimizing on crosstalk
- Selectable loopback diagnostic mode
- Output enable
- Power supply +3.3V ±10%
- Industrial temperature range -40°C to +85°C
- Available in 24-pin (4mm x 4mm) MLF™

### Markets

- Precision telecom
- Enterprise server
- ATE
- Test and measurement

### Functional Block Diagram



**Note:**

It is recommended that  $R_{LOSLVL} \leq 10k\Omega$ . See the "Typical Operating Characteristics" section for more details.

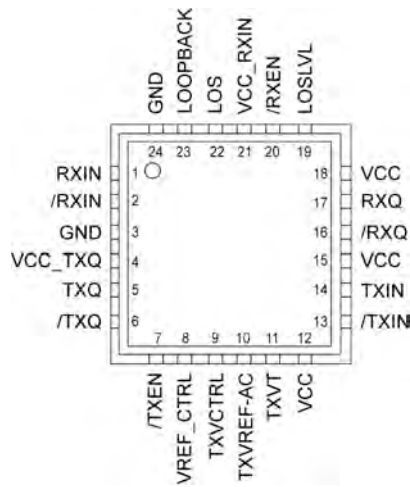
## Ordering Information<sup>(1)</sup>

Part Number	Package Type	Operating Range	Package Marking	Lead Finish
SY58620LMG	MLF-24	Industrial	620L with Pb-Free bar-line indicator	NiPdAu Pb-Free
SY58620LMGTR <sup>(2)</sup>	MLF-24	Industrial	620L with Pb-Free bar-line indicator	NiPdAu Pb-Free

**Notes:**

1. Contact factory for die availability. Dice are guaranteed at  $T_A = 25^\circ\text{C}$ , DC Electricals only.
2. Tape and Reel.

## Pin Configuration



**24-Pin MLF™ (MLF-24)**

## Pin Description

### Inputs

Pin Number	Pin Name	Pin Description
23	LOOPBACK	LOOPBACK Mode Control. TTL/CMOS control input. LOOPBACK is an active HIGH signal used to control the LOOPBACK MUX. LOOPBACK is internally connected to a 25k $\Omega$ pull-down resistor and will default to a LOW state if left open. $V_{TH} = V_{CC}/2$ .
20	/RXEN	Receiver Output Control. TTL/CMOS control input. /RXEN is an active LOW signal used to enable the receiver outputs. /RXEN is internally connected to a 25k $\Omega$ pull-down resistor and will default to a LOW state if left open. $V_{TH} = V_{CC}/2$ .
1, 2	RXIN, /RXIN	Receiver Differential Input. Input accepts AC differential signals as small as 10mV (20mV <sub>PP</sub> ). Each pin internally terminates to $V_{CC\_RXIN}-1.3V$ (internal voltage reference) through 50 $\Omega$ . Input will default to an indeterminate state if RXIN inputs are left open. See figure 6b.
7	/TXEN	Transmitter Output Control. TTL/CMOS control input. /TXEN is an active LOW signal used to enable the transmitter output. /TXEN is internally connected to a 25k $\Omega$ pull-down resistor and will default to a LOW state if left open. $V_{TH} = V_{CC}/2$ .
14, 13	TXIN, /TXIN	Transmitter Differential Input. Input accepts AC- or DC-coupled differential signals as small as 100mV (200mV <sub>PP</sub> ). Each pin terminates to the TXVT pin through 50 $\Omega$ . Input will default to an indeterminate state if TXIN inputs are left open. See figure 6a.
9	TXVCTRL	Transmitter Output Swing Control. Input that controls the output amplitude of the transmitter. The operating range of the control input is from $V_{REF\_CTRL}$ (max swing) to $V_{CC}$ (min swing). Control of the output swing is obtained with a variable resistor between $V_{REF\_CTRL}$ and $V_{CC\_TXQ}$ through a wiper driving TXVCTRL. Setting TXVCTRL to $V_{CC\_TXQ}$ sets the output swing to min swing. Refer to the "Interface Applications" and "Output Stage" sections for more details.
11	TXVT	Input Termination Center-Tap. Each side of the transmitter differential input pair terminates to the TXVT pin. The TXVT pin provides a center-tap to a termination network for maximum interface flexibility. Refer to the "Input Stage" section for more details.

**Outputs**

Pin Number	Pin Name	Pin Description
22	LOS	Loss-of-Signal Output. TTL-compatible output with internal 4.75k $\Omega$ pull-up resistor. Loss-of-Signal asserts to logic HIGH when the receiver input amplitudes falls below the threshold set by LOSLVL.
19	LOSLVL	RX Loss-of-Signal Level Set. A resistor ( $R_{LOSLVL}$ ) connected between LOSLVL and $V_{CC}$ sets the threshold for the data input amplitude at which the LOS output is asserted. Default is max sensitivity. LOSLVL is used to set the Loss-of-Signal (LOS) voltage. It is internally connected to a 2.8k $\Omega$ pull-down resistor to an internal $V_{REF}$ voltage source. See "Typical Operating Characteristics," and "Application Implementation" sections for more details.
17, 16	RXQ, /RXQ	Receiver Differential Output. Output is CML compatible. Refer to the "Truth Table" and "Output Stage" sections for more details. Unused output pair may be left open. The output is designed to drive 400mV (800mV <sub>PP</sub> ) into 50 $\Omega$ to $V_{CC}$ or 100 $\Omega$ across the pair.
5, 6	TXQ, /TXQ	Transmitter Differential Variable Swing Output. Output is CML compatible. Please refer to the "Truth Table" and "Output Stage" sections for more details. Unused output pair may be left open. The output is designed to drive 80mV (160mV <sub>PP</sub> ) min swing to 400mV (800mV <sub>PP</sub> ) typ. swing into 50 $\Omega$ to $V_{CC\_TXQ}$ or drive 100 $\Omega$ across the pair depending on TXVCTRL.
8	VREF_CTRL	Transmitter Output Reference Voltage. Output biases to $V_{CC\_TXQ}$ -1.3V. Connecting $V_{REF\_CTRL}$ to TXVCTRL sets the transmitter output swing to max swing.
10	TXVREF-AC	Transmitter Input Reference Voltage. This output biases to $V_{CC}$ -1.3V. It is used when AC coupling the transmitter input. For AC-coupled applications, connect TXVREF-AC to the TXVT pin and bypass with a 0.01 $\mu$ F low ESR capacitors to $V_{CC}$ . See "Input Stage" section for more details. Maximum sink/source current is $\pm$ 1.5mA.

**Power Pins**

Pin Number	Pin Name	Pin Description
3, 24	GND, Exposed Pad	Ground. GND pins and exposed pad must be connected to the same ground plane.
12, 15, 18	VCC	3.3V $\pm$ 10% Positive Power Supply. Bypass with 0.1 $\mu$ F//0.01 $\mu$ F low ESR capacitors and place as close to each $V_{CC}$ pins as possible. Power pins are not connected internally and must be connected to the same power supply externally.
21	VCC_RXIN	3.3V $\pm$ 10% Receive Input Power Supply. Bypass with 0.1 $\mu$ F//0.01 $\mu$ F low ESR capacitors and place as close to the $V_{CC\_RXIN}$ pin as possible. Power pins are not connected internally and must be connected to the same power supply externally.
4	VCC_TXQ	3.3V $\pm$ 10% Output Transmit Power Supply. Bypass with 0.1 $\mu$ F//0.01 $\mu$ F low ESR capacitors and place as close to the $V_{CC\_TXQ}$ pin as possible. Power pins are not connected internally and must be connected to the same power supply externally.

**Truth Table**

LOOPBACK	RXQ	TXQ
0	RXIN	TXIN
1	TXIN	RXIN

**Absolute Maximum Ratings<sup>(1)</sup>**

Supply Voltage ( $V_{CC}$ , $V_{CC\_TXQ}$ , $V_{CC\_RXIN}$ )	-0.5V to +4.0V
Input Voltage	
LOS <sub>LVL</sub>	$V_{REF} - 1.2V$ to $V_{CC}$
LOOPBACK	-0.5V to $V_{CC}$
/TXEN, /RXEN	-0.5V to $V_{CC}$
TXVCTRL	$V_{REF\_CTRL} - 1.2V$ to $V_{CC}$
TXIN, /TXIN	-0.5V to $V_{CC}$
Source or Sink Current on	
TXVT	±100mA
LOS	±5mA
RXQ, /RXQ	±25mA
TXQ, /TXQ	±25mA
RXIN, /RXIN	±10mA
TXIN, /TXIN	±50mA
TXVREF-AC, VREF-CTRL	±2mA
Lead Temperature (soldering, 20sec.)	260°C
Storage Temperature ( $T_s$ )	-65°C to +150°C

**Operating Ratings<sup>(2)</sup>**

Supply Voltage ( $V_{CC}$ , $V_{CC\_TXQ}$ , $V_{CC\_RXIN}$ )	+3.0V to +3.6V
Ambient Temperature ( $T_A$ )	-40°C to +85°C
Package Thermal Resistance <sup>(3)</sup>	
MLF™ ( $\theta_{JA}$ )	
Still-Air	50°C/W
MLF™ ( $\psi_{JB}$ )	
Junction-to-Board	30°C/W

**DC Electrical Characteristics<sup>(4)</sup>**

$T_A = -40^\circ\text{C}$  to  $+85^\circ\text{C}$ , unless otherwise stated.

Symbol	Parameter	Condition	Min	Typ	Max	Units
$V_{CC}$	Power Supply		3	3.3	3.6	V
$V_{CC\_TXQ}$	Transmit Power Supply		3	3.3	3.6	V
$V_{CC\_RXIN}$	Receive Power Supply		3	3.3	3.6	V
$I_{CC}$	Power Supply Current	No load, max. $V_{CC}$		100	150	mA

**Receiver Input DC Electrical Characteristics**

$V_{CC\_RXIN} = 3.3V \pm 10\%$ ;  $T_A = -40^\circ\text{C}$  to  $+85^\circ\text{C}$ , unless otherwise stated.

Symbol	Parameter	Condition	Min	Typ	Max	Units
$R_{IN}$	Input Resistance (RXIN to VREF)		45	50	55	$\Omega$
$R_{DIFF\_IN}$	Input Resistance (RXIN to /RXIN)		90	100	110	$\Omega$
$V_{IN}$	Input Voltage Swing (RXIN, /RXIN)	See Figure 5a AC-coupled	10		900	mV
$V_{DIFF\_IN}$	Differential Input Voltage Swing  RXIN - /RXIN	See Figure 5b AC-coupled	20		1800	mV
$V_{REF}$	Internal Reference Voltage		$V_{CC\_RXIN}$ -1.48	$V_{CC\_RXIN}$ -1.32	$V_{CC\_RXIN}$ -1.16	V

**Notes:**

- Permanent device damage may occur if absolute maximum ratings are exceeded. This is a stress rating only and functional operation is not implied at conditions other than those detailed in the operational sections of this data sheet. Exposure to absolute maximum rating conditions for extended periods may affect device reliability.
- The data sheet limits are not guaranteed if the device is operated beyond the operating ratings.
- Package thermal resistance assumes exposed pad is soldered (or equivalent) to the devices most negative potential on the PCB.  $\theta_{JA}$  and  $\psi_{JB}$  values are determined for a 4-layer board in still-air, unless otherwise stated.
- The circuit is designed to meet the DC specifications shown in the above table after thermal equilibrium has been established.

## Receiver Output DC Electrical Characteristics

$V_{CC} = 3.3V \pm 10\%$ ,  $R_L = 100\Omega$  across the outputs;  $T_A = -40^\circ C$  to  $+85^\circ C$ , unless otherwise stated.

Symbol	Parameter	Condition	Min	Typ	Max	Units
$V_{OH}$	Output HIGH Voltage (RXQ, /RXQ)	$R_L = 50\Omega$ to $V_{CC}$	$V_{CC} - 0.020$	$V_{CC} - 0.010$	$V_{CC}$	V
$V_{OUT}$	Output Voltage Swing (RXQ, /RXQ)	See Figure 5a	325	400	500	mV
$V_{DIFF\_OUT}$	Differential Output Voltage Swing (RXQ, /RXQ)	See Figure 5b	650	800	1000	mV
$R_{OUT}$	Single-Ended Output Impedance		45	50	55	$\Omega$
$R_{DIFF\_OUT}$	Differential Output Impedance		90	100	110	$\Omega$
$V_{OFFSET}$	Differential Output Offset	$R_L = 50\Omega$ to $V_{CC}$ , limiting mode	-140		+140	mV

## Transmitter Input DC Electrical Characteristics

$V_{CC} = 3.3V \pm 10\%$ ;  $T_A = -40^\circ C$  to  $+85^\circ C$ , unless otherwise stated.

Symbol	Parameter	Condition	Min	Typ	Max	Units
$R_{IN}$	Input Resistance (TXIN to TXVT)		45	50	55	$\Omega$
$R_{DIFF\_IN}$	Differential Input Resistance (TXIN to /TXIN)		90	100	110	$\Omega$
$V_{IH}$	Input HIGH Voltage (TXIN, /TXIN)		1.2		$V_{CC}$	V
$V_{IL}$	Input LOW Voltage (TXIN, /TXIN)		0		$V_{IH} - 0.1$	V
$V_{IN}$	Input Voltage Swing (TXIN, /TXIN)	See Figure 5a	0.1		$V_{CC}$	V
$V_{DIFF\_IN}$	Differential Input Voltage Swing  TXIN - /TXIN	See Figure 5b	0.2			V
$V_{T\_IN}$	TXIN, /TXIN to VT				1.28	V
$V_{TXVREF\_AC}$	Output Reference Voltage		$V_{CC} - 1.4$	$V_{CC} - 1.3$	$V_{CC} - 1.2$	V
$V_{REF\_CTRL}$	Output Reference Voltage		$V_{CC} - 1.4$	$V_{CC} - 1.3$	$V_{CC} - 1.2$	V
$V_{TXVCTRL}$	Input Voltage (TXVCTRL)		$V_{REF\_CTRL}$		$V_{CC}$	V

## Transmitter Output DC Electrical Characteristics

$V_{CC\_TXQ} = 3.3V \pm 10\%$ ,  $R_L = 100\Omega$  across the outputs;  $T_A = -40^\circ C$  to  $+85^\circ C$ , unless otherwise stated.

Symbol	Parameter	Condition	Min	Typ	Max	Units
$V_{OH}$	Output HIGH Voltage (TXQ, /TXQ)	$R_L = 50\Omega$ to $V_{CC\_TXQ}$	$V_{CC\_TXQ} - 0.020$	$V_{CC\_TXQ} - 0.005$	$V_{CC\_TXQ}$	V
$V_{OUT}$	Output Voltage Swing (TXQ, /TXQ)	TXVCTRL = $V_{REF\_CTRL}$ See Figure 5a	325	400		mV
		TXVCTRL = $V_{CC\_TXQ}$ See Figure 5a		80		mV
$V_{DIFF\_OUT}$	Differential Output Voltage Swing (TXQ, /TXQ)	TXVCTRL = $V_{REF\_CTRL}$ See Figure 5b	650	800		mV
		TXVCTRL = $V_{CC\_TXQ}$ See Figure 5b		160		mV
$R_{OUT}$	Single-Ended Output Impedance		45	50	55	$\Omega$
$R_{DIFF\_OUT}$	Differential Output Impedance		90	100	110	$\Omega$

## LVTTL/CMOS INPUT DC Electrical Characteristics<sup>(5)</sup>

$V_{CC} = 3.3V \pm 10\%$ ;  $T_A = -40^\circ\text{C}$  to  $+85^\circ\text{C}$ , unless otherwise stated.

Symbol	Parameter	Condition	Min	Typ	Max	Units
$V_{IL}$	/TXEN, /RXEN, LOOPBACK				0.8	V
$V_{IH}$	/TXEN, /RXEN, LOOPBACK		2			V
$I_{IL}$	/TXEN, /RXEN, LOOPBACK	$I_{IL}@V_{IN} = 0.5V$	0		50	$\mu\text{A}$
$I_{IH}$	/TXEN, /RXEN, LOOPBACK	$I_{IH}@V_{IN} = V_{CC}$			300	$\mu\text{A}$

**Note:**

5. /TXEN, /RXEN, and LOOPBACK have an internal pull-down 25k $\Omega$  resistor.



## LOS DC Electrical Characteristics

$V_{CC} = 3.3V \pm 10\%$ ;  $T_A = -40^\circ\text{C}$  to  $+85^\circ\text{C}$ .

Symbol	Parameter	Condition	Min	Typ	Max	Units
$V_{LOSLVL}$	LOSLVL Voltage Range		$V_{REF}$		$V_{CC}$	V
$V_{OH}$	Output HIGH Voltage	$I_{SOURCE} = -100\mu\text{A}$ ; $V_{CC} \geq 3.3V$	2.4			V
$V_{OL}$	Output LOW Voltage	$I_{OL} = 2\text{mA}$			0.5	V
VSR	LOS Sensitivity Range		7		35	mV <sub>PP</sub>
LOS <sub>AL</sub>	Low LOS Assert Level	$R_{LOSLVL} = 10\text{k}\Omega$ 2 <sup>7</sup> -1 Data Pattern, Note 7				
			622Mbps	15		mV
			4.25Gbps	10		mV
LOS <sub>DL</sub>	Low LOS De-assert Level	$R_{LOSLVL} = 10\text{k}\Omega$ 2 <sup>7</sup> -1 Data Pattern, Note 7				
			622Mbps	20		mV
			4.25Gbps	15		mV
HYS <sub>L</sub>	Low LOS Hysteresis	$R_{LOSLVL} = 10\text{k}\Omega$ , limiting mode 2 <sup>7</sup> -1 Data Pattern, Note 6 and 7				
			622Mbps	3		dB
			4.25Gbps	5.5		dB
LOS <sub>AM</sub>	Medium LOS Assert Level	$R_{LOSLVL} = 5\text{k}\Omega$ 2 <sup>7</sup> -1 Data Pattern, Note 7				
			622Mbps	20		mV
			4.25Gbps	15		mV
LOS <sub>DM</sub>	Medium LOS De-assert Level	$R_{LOSLVL} = 5\text{k}\Omega$ 2 <sup>7</sup> -1 Data Pattern, Note 7				
			622Mbps	30		mV
			4.25Gbps	25		mV
HYS <sub>M</sub>	Medium LOS Hysteresis	$R_{LOSLVL} = 5\text{k}\Omega$ , limiting mode 2 <sup>7</sup> -1 Data Pattern, Note 6 and 7				
			622Mbps	4		dB
			4.25Gbps	5.5		dB
LOS <sub>AH</sub>	High LOS Assert Level	$R_{LOSLVL} = 1\text{k}\Omega$ 2 <sup>7</sup> -1 Data Pattern, Note 7				
			622Mbps	35		mV
			4.25Gbps	30		mV
LOS <sub>DH</sub>	High LOS De-assert Level	$R_{LOSLVL} = 1\text{k}\Omega$ 2 <sup>7</sup> -1 Data Pattern, Note 7				
			622Mbps	60		mV
			4.25Gbps	55		mV
HYS <sub>H</sub>	High LOS Hysteresis	$R_{LOSLVL} = 1\text{k}\Omega$ , limiting mode 2 <sup>7</sup> -1 Data Pattern, Note 6 and 7				
			622Mbps	5		dB
			4.25Gbps	5.5		dB

### Notes:

6. Hysteresis is defined as:  $20\text{Log}_{10} \left( \frac{SD\_AssertVoltage}{SD\_De - assertVoltage} \right) \text{dB}$ .

7. See the "Typical Operating Characteristics" section for more details on  $R_{LOSLVL}$  and its associated LOS assert and de-assert amplitudes for a 2<sup>7</sup>-1 PRBS data pattern. See the "PRBS Discussion" section for more details on the 2<sup>7</sup>-1 PRBS data pattern.

## AC Electrical Characteristics<sup>(8)</sup>

$V_{CC} = V_{CC\_TXQ} = V_{CC\_RXIN} = 3.3V \pm 10\%$ ,  $R_L = 100\Omega$  across the outputs;  $T_A = -40^\circ\text{C}$  to  $+85^\circ\text{C}$ , unless otherwise stated.

### Receiver and Transmitter

Symbol	Parameter	Condition	Min	Typ	Max	Units
$t_{JITTER}$	Deterministic Jitter (DJ)	Note 9			Note 13	pSPp
	Random Jitter (RJ)	Note 10		0.7	5	pSRMS
	Crosstalk-Induced Jitter	Note 11			1.2	pSRMS

### Receiver

Symbol	Parameter	Condition	Min	Typ	Max	Units
$F_{MAX}$	Maximum Operating Frequency	$V_{RXIN} \geq 10\text{mV}$ (20mV <sub>PP</sub> )	4.25			Gbps
BW	-3dB	$V_{RXIN} \geq 10\text{mV}$ (20mV <sub>PP</sub> )		2.5		GHz
$S_{21}$	Single-Ended Gain	Linear mode		32		dB
$A_{V(DIFF)}$	Differential Voltage Gain	Linear mode		38		dB
$t_r, t_f$	Output Rise/Fall Time (20% to 80%)	Limiting mode		60	120	ps
LOS Frequency Range	LOS Operating Frequency Range	Note 12	0.622		4.25	Gbps
$t_{OFF}$	LOS De-assert Time			0.1	0.5	$\mu\text{s}$
$t_{ON}$	LOS Assert Time			0.2	0.5	$\mu\text{s}$

### Transmitter

Symbol	Parameter	Condition	Min	Typ	Max	Units
$F_{MAX}$	Maximum Operating Frequency	$V_{TXIN} \geq 100\text{mV}$ (200mV <sub>PP</sub> )	4.25			Gbps
BW	-3dB	$V_{REF\_CTRL} \leq TXCTRL \leq V_{CC\_TXQ}$		3.5		GHz
$t_r, t_f$	Output Rise/Fall Time (20% to 80%)	$V_{TXVCTRL} = V_{REF\_CTRL}$		50	120	ps

#### Notes:

8. High-frequency AC-parameters are guaranteed by design and characterization.
9. Deterministic jitter is measured with both K28.5 and  $2^{23}-1$  PRBS data-pattern, measured at  $<f_{MAX}$ .  $V_{IN} = 10\text{mV}$  (20mV<sub>PP</sub>) RX, 100mV (200mV<sub>PP</sub>) TX. See the "PRBS Discussion" section for more details on the K28.5 and  $2^{23} - 1$  PRBS data pattern.
10. Random jitter is measured with a K28.7 comma detect character pattern, measured at  $<f_{MAX}$ .  $V_{IN} = 10\text{mV}$  (20mV<sub>PP</sub>) RX, 100mV (200mV<sub>PP</sub>) TX. See the "PRBS Discussion" section for more details on the K28.7 PRBS data pattern.
11. Crosstalk is measured at the output while applying two similar differential clock frequencies that are asynchronous with respect to each other at the inputs.
12. LOS is guaranteed to be chatter-free at  $f_{MAX} \geq 622\text{Mbps}$  or  $f_{MAX} \geq 311\text{MHz}$  with  $V_{RXIN} \geq 10\text{mV}$  (20mV<sub>PP</sub>) with a  $2^7-1$  PRBS data pattern.
13. Contact factory for limits.

## Detailed Description

### Receiver

The receiver AC-coupled differential input distributes data to 4.25Gbps with signals as small as 10mV (20mV<sub>PP</sub>) or as large as 900mV (1.8V<sub>PP</sub>). The receiver input features an internal 50Ω input termination connected to an internal reference which optimizes the inputs for AC-coupled signals. Input signals are linearly amplified with 38dB of differential gain and the output signal is limited to 400mV (800mV<sub>PP</sub>).

The receiver output buffer features 50Ω source termination resistors and a current source that provides 400mV (800mV<sub>PP</sub>) swing into 50Ω termination. The output buffer terminates to standard CML loads (100Ω across the output pair or equivalent). See the “Output Stage Receiver” section for more details.

### Transmitter

The transmitter differential input includes Micrel’s unique, patented 3-pin input termination architecture that directly interfaces to any (AC- or DC-coupled) differential signal as small as 100mV (200mV<sub>PP</sub>) without any termination resistor network in the signal path.

The transmitter output buffer terminates to standard CML loads (100Ω across the output pair, or equivalent). The output buffer is a special variable swing CML buffer controlled by TXVCTRL. The output buffer features 50Ω source termination and a current source that provides 400mV (800mV<sub>PP</sub>) swing into 50Ω transmission lines. See the next section and Figures 1a and 1b for more details on how to control the variable output swing feature.

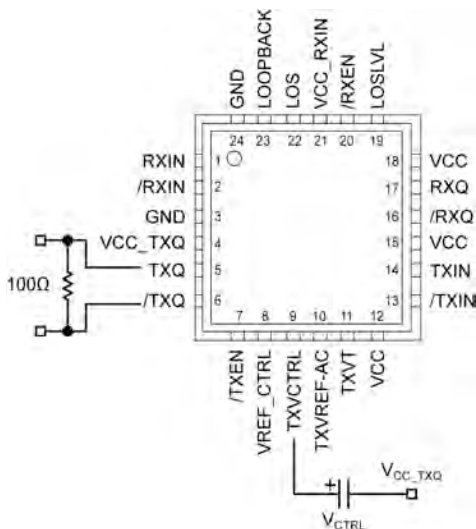


Figure 1a. Voltage Source Implementation

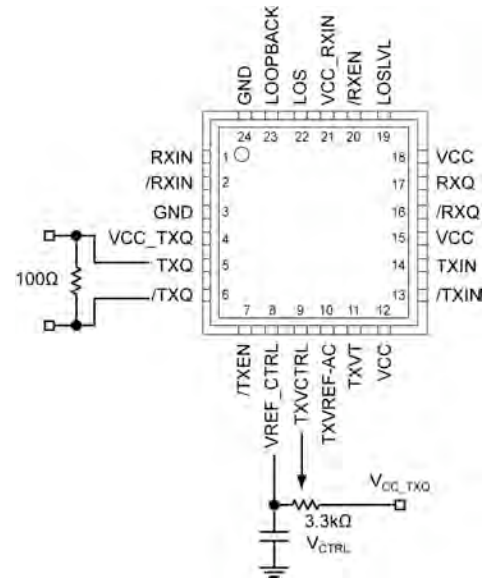


Figure 1b. Alternative Implementation

### Transmitter CML Variable-Swing Output Buffer

- Connecting  $V_{REF\_CTRL}$  to TXVCTRL sets the transmitter output buffer to maximum swing
- Setting TXVCTRL to  $V_{CC\_TXQ}$ , sets the transmitter output buffer to minimum swing
- Control of the transmitter output buffer swing can be obtained by using a variable resistor connected between  $V_{REF\_CTRL}$  and  $V_{CC\_TXQ}$  with a wiper connected to TXVCTRL as shown in Figure 1b

### Receiver LOS

The SY58620L features a chatter-free Loss-of-Signal (LOS) TTL compatible output with an internal 4.75kΩ pull-up resistor. LOS circuitry monitors the input receiver signal and asserts a signal when the input signal falls below the threshold set by the programmable LOS level set pin (LOSLVL). When the amplitude of the receiver input signal falls below the threshold, LOS is asserted HIGH with a response time of ~0.2μs. LOS can be fed into /RXEN to maintain output stability by disabling the output during a Loss-of-Signal condition. Figure 2a and 2b shows the LOS connection to /RXEN. When /RXEN is HIGH, the output signal RXQ is held LOW and /RXQ is held HIGH. Typically, 2dB of LOS hysteresis is adequate to prevent the receiver output from chattering. LOS operation is optimized for data rates ≥622Mbps with an input receiver amplitude of at least 10mV (20mV<sub>PP</sub>). Due to the long time constant in slower data rates below 622Mbps, the SY58620L LOS function does not guarantee chatter-free operation for low amplitude signals.

LOSLVL sets the threshold of the LOS input amplitude detection. Connecting an external resistor,  $R_{LOSLVL}$ , between VCC and LOSLVL sets the input amplitude LOS detection trip-point by setting up a voltage divider

between VCC and V<sub>REF</sub> (an internal voltage source set at V<sub>CC</sub>-1.3V), since there is a 2.8kΩ internal resistor connected between LOSLVL and V<sub>REF</sub>. The input voltage range of LOSLVL ranges from V<sub>CC</sub> to V<sub>REF</sub>. See the “Functional Block Diagram” section and Figures 2a and 2b, to see how R<sub>LOSLVL</sub> sets up a voltage divider between VCC and V<sub>REF</sub>. Refer to the “LOS Output DC Electrical Characteristics” table and “Typical Operating Characteristics” section to see how different R<sub>LOSLVL</sub> values affect LOS sensitivity.

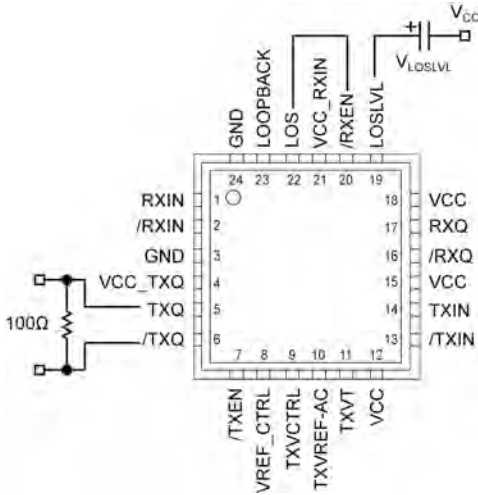


Figure 2a. Voltage Source Implementation

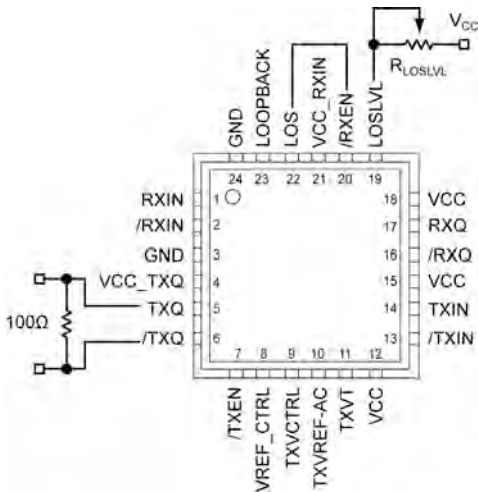


Figure 2b. Alternative Implementation

**LOS Output**

- Connecting the input /RXEN to the LOS output as shown in Figures 2a and 2b, maintains receiver output stability under a Loss-of-Signal condition
- Sensitivity of the LOS signal can be programmed using the LOSLVL input by using a variable resistor connected to VCC with a wiper connected to LOSLVL, as shown in Figure 2b

- ≥ 2dB hysteresis is insured if R<sub>LOSLVL</sub> ≤ 10kΩ.
- LOS is guaranteed chatter-free at f ≥ 622Mbps (311MHz)

**Hysteresis**

The SY58620L provides a minimum of 2dB of LOS hysteresis, see the Figure 3 for more details.

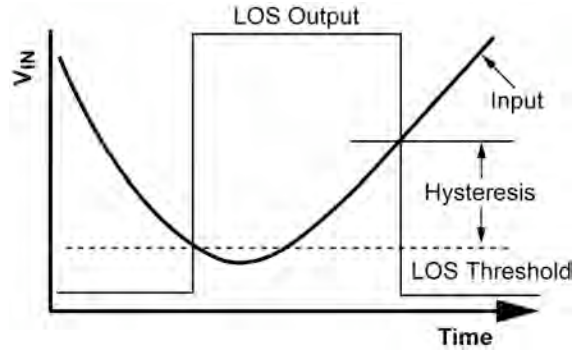


Figure 3. LOS Hysteresis Assert/De-assert

Hysteresis is defined as:  $20\text{Log}_{10}\left(\frac{SD\_AssertVoltage}{SD\_De-assertVoltage}\right)dB.$

**Loopback**

To support diagnostic system testing, the SY58620L features a loopback test mode, activated by setting LOOPBACK to logic HIGH. Loopback mode enables an internal loopback path from the transmitter input to the receiver output and supports the full 4.25Gbps data rate throughput.

**Crosstalk**

The SY58620 features a patent-pending isolation between the receiver and transmitter channels. The following guide lines can be used to minimize on layout induced crosstalk:

1. *Ground Stripping*

Ground stripping is an effective method to reduce crosstalk. Ground stripping involves running a ground trace between the receiver and transmitter channels.

2. *Vertical and Horizontal Traces*

Another way to reduce crosstalk is to route the receiver and transmitter channels on separate layers with an embedded ground or power supply layer between the layers. When routing the traces on different layers, run the receiver traces horizontal to the transmitter traces and route the transmitter traces vertical to the receiver traces.

**PRBS Discussion**

**LOS Testing**

The LOS function is tested with a  $2^7-1$  PRBS (Pseudo Random Bit Stream) data pattern. A PRBS data pattern of  $2^7-1$  is used because it is a good approximation to an 8b10b-encoded NRZ data stream. 8b10b encodes 8 bits of data and replaces it with 10 bits of symbol. The extra bits are added to improve transition density and the BER (Bit Error Rate) of the system.

**Deterministic Jitter Testing and the K28.5 Pattern**

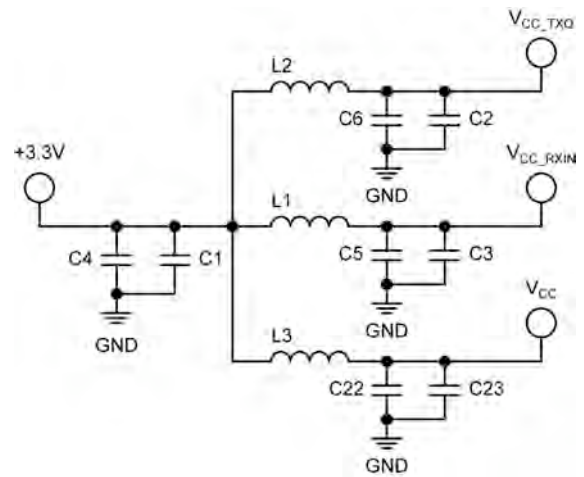
The K28.5 (11000001010011111010) and  $2^{23}-1$  PRBS data patterns are used to characterize DJ because both data patterns have lower spectral frequency content which provides a best approximation to scrambled NRZ data streams.

**Random Jitter Testing and the K28.7 Pattern**

The K28.7 (1111100000...) data pattern is used to measure RJ since the pattern is free of DJ. In addition, because the K28.7 data pattern can be used to compare the  $T_N$  ( $N^{TH}$  period) to the  $T_0$  ( $1^{st}$  period), low frequency jitter components can be accumulated.

**Power Supply Filtering**

Although the SY58620L is fully differential, it is recommended that the power supplies are filtered as shown in Figure 4.



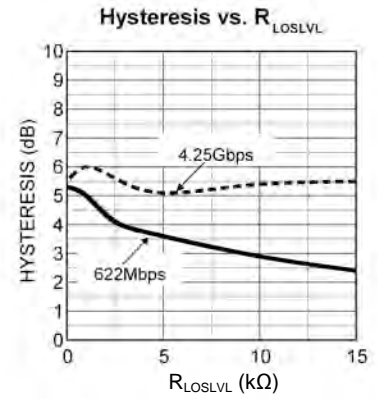
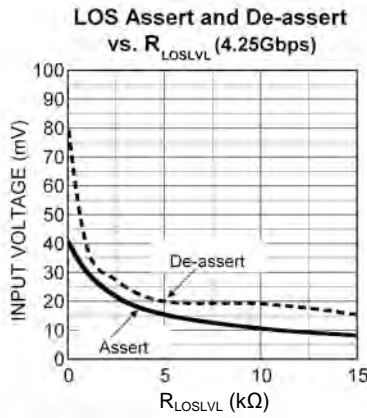
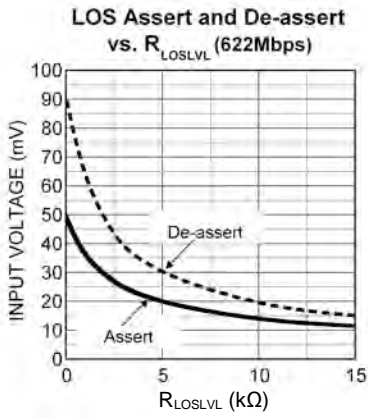
**Figure 4. Power Supply Filtering Scheme**

Item	Description
C1, C2, C3, C23	0.1µF Capacitor
C4, C5, C6, C22	0.01µF Capacitor
L1, L2, L3	1.2µH Ferrite Bead Inductor

**Table 1. Bill of Materials**

## Typical Operating Characteristics

$V_{CC} = V_{CC\_TXQ} = V_{CC\_RXIN} = 3.3V \pm 10\%$ ,  $R_L = 100\Omega$  across the outputs;  $T_A = 25^\circ C$ , unless otherwise stated.



## Single-Ended and Differential Swings

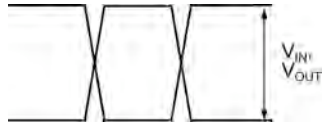


Figure 5a. Single-Ended Voltage Swing



Figure 5b. Differential Voltage Swing

## Differential Input Stage

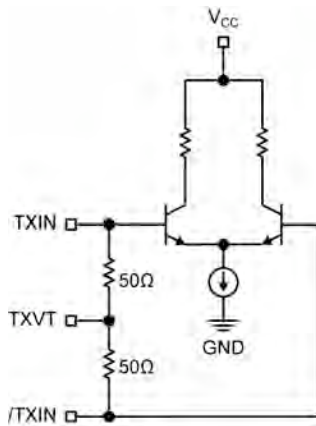


Figure 6a. TX Simplified Differential Input Stage

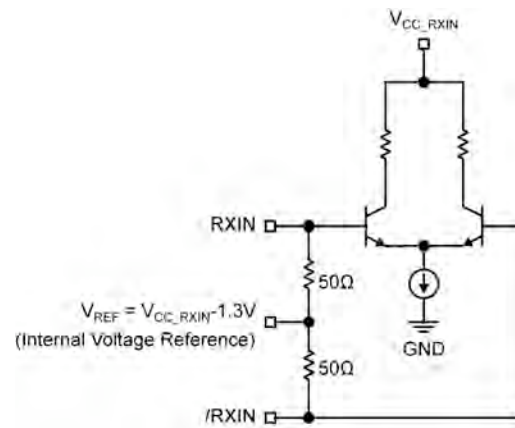
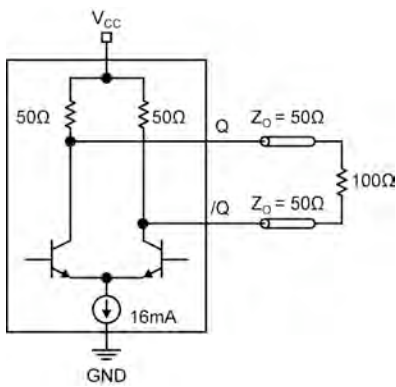


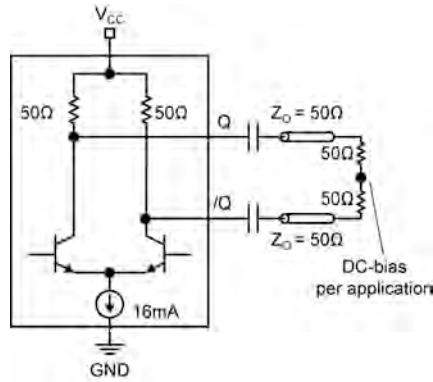
Figure 6b. RX Simplified Differential Input Stage



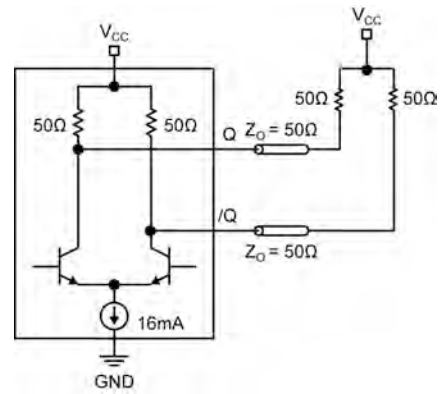
## Output Stage Receiver



**Figure 7a. Receiver CML DC-Coupled Output**

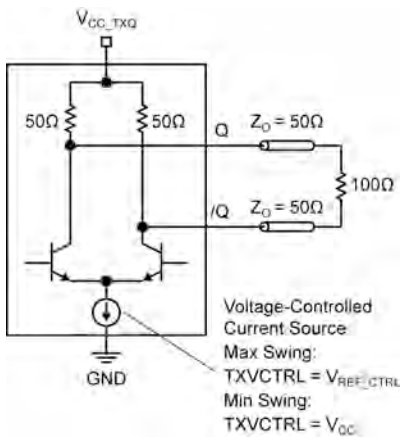


**Figure 7b. Receiver CML AC-Coupled Output**

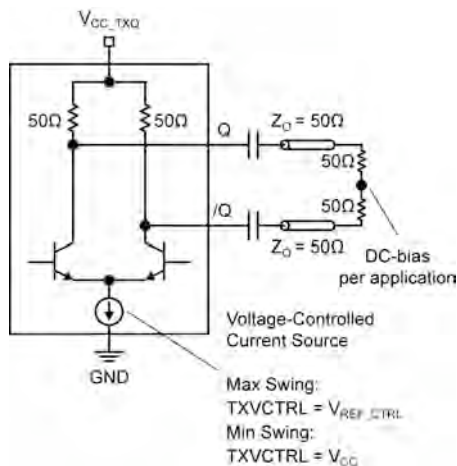


**Figure 7c. Receiver CML DC-Coupled Output (50Ω to V<sub>CC</sub>)**

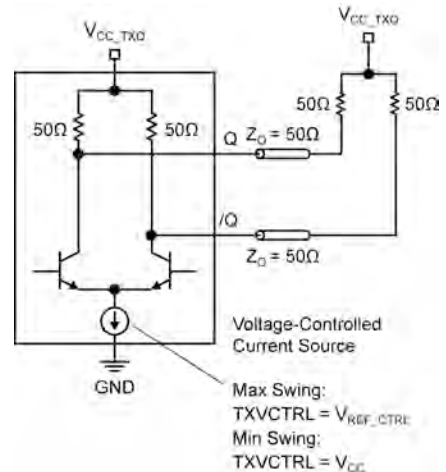
## Transmitter



**Figure 7d. Transmitter CML DC-Coupled Output**



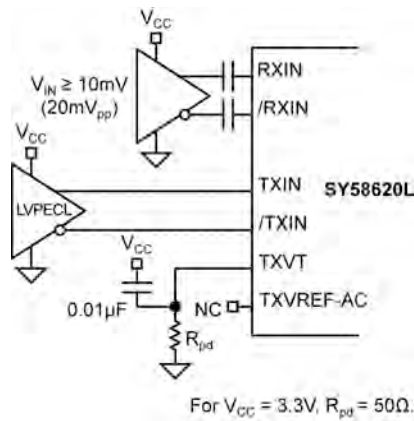
**Figure 7e. Transmitter CML AC-Coupled Output**



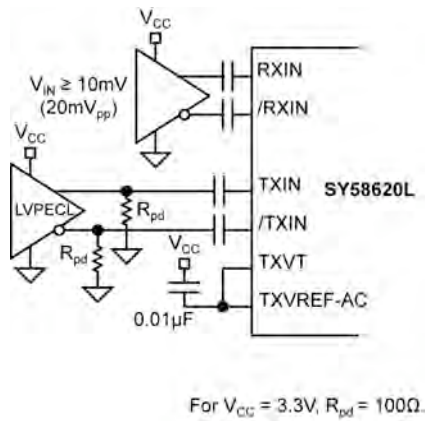
**Figure 7f. Transmitter CML DC-Coupled Output (50Ω to V<sub>CC</sub>)**



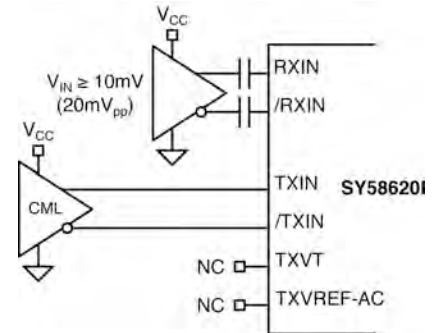
## Interface Applications



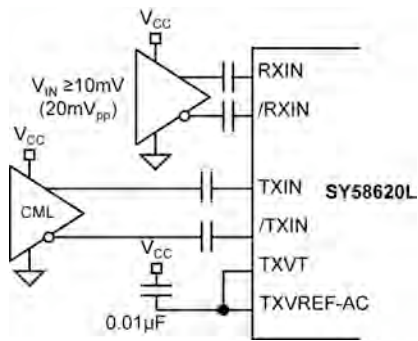
**Figure 8a. LVPECL Interface (TX DC-Coupled/RX AC-Coupled)**



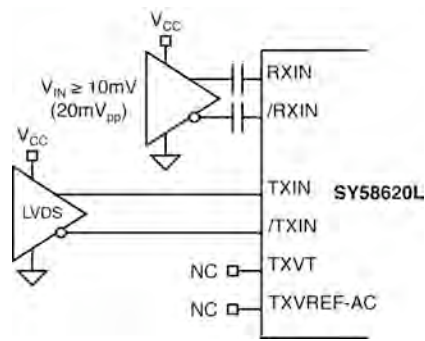
**Figure 8b. LVPECL Interface (TX AC-Coupled/RX AC-Coupled)**



**Figure 8c. CML Interface (TX DC-Coupled/RX AC-Coupled)**



**Figure 8d. CML Interface (TX AC-Coupled/RX AC-Coupled)**

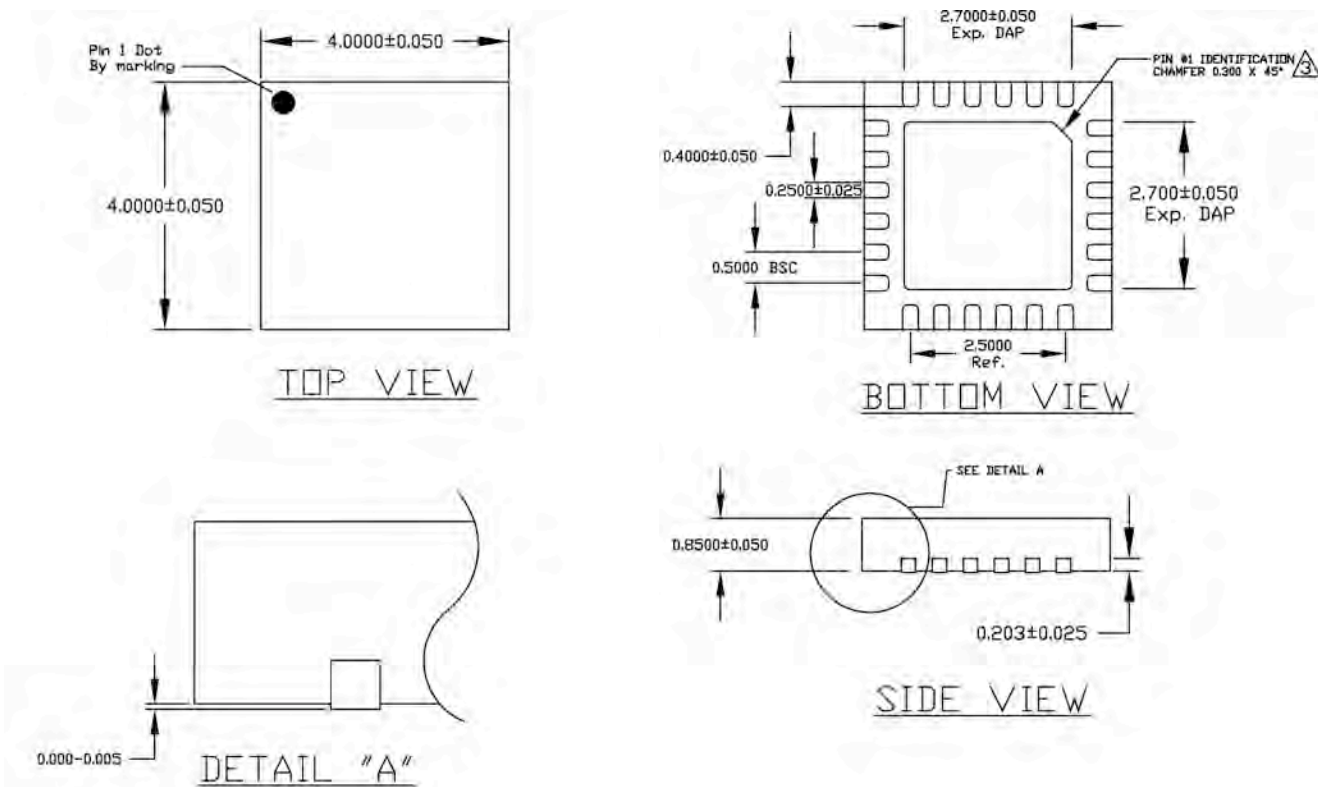


**Figure 8e. LVDS Interface (TX DC-Coupled/RX AC-Coupled)**

## Related Product and Support Documentation

Part Number	Function	Data Sheet Link
SY58621L	Precision 3.2 Gbps CML/LVPECL Transceiver with Integrated Loopback	<a href="http://www.micrel.com/product-info/products/sy58621l.shtml">www.micrel.com/product-info/products/sy58621l.shtml</a>
HBW Solutions	New Products and Applications	<a href="http://www.micrel.com/product-info/products/solutions.shtml">www.micrel.com/product-info/products/solutions.shtml</a>
	MLF™ Application Note	<a href="http://www.amkor.com/products/notes_papers/MLFAppNote.pdf">www.amkor.com/products/notes_papers/MLFAppNote.pdf</a>

### Package Information



NOTE:

1. ALL DIMENSIONS ARE IN MILLIMETERS (mm).
2. THE PIN#1 IDENTIFIER MUST EXIST ON THE TOP SURFACE OF PACKAGE BY USING IDENTIFICATION MARK OR OTHER FEATURE OF PACKAGE BODY.
3. CHAMFER STYLE PIN 1 IDENTIFIER ON BOTTOM SIDE

**24-Pin MLF™ (MLF-24)**

**MICREL, INC. 2180 FORTUNE DRIVE SAN JOSE, CA 95131 USA**  
 TEL +1 (408) 944-0800 FAX +1 (408) 474-1000 WEB <http://www.micrel.com>

The information furnished by Micrel in this data sheet is believed to be accurate and reliable. However, no responsibility is assumed by Micrel for its use. Micrel reserves the right to change circuitry and specifications at any time without notification to the customer.

Micrel Products are not designed or authorized for use as components in life support appliances, devices or systems where malfunction of a product can reasonably be expected to result in personal injury. Life support devices or systems are devices or systems that (a) are intended for surgical implant into the body or (b) support or sustain life, and whose failure to perform can be reasonably expected to result in a significant injury to the user. A Purchaser's use or sale of Micrel Products for use in life support appliances, devices or systems is a Purchaser's own risk and Purchaser agrees to fully indemnify Micrel for any damages resulting from such use or sale.

© 2006 Micrel, Incorporated.