

## Features

- Protocol
  - UART used as Physical Layer
  - Based on the Intel Hex-type records
  - Autobaud
- In-System Programming
  - Read/Write Flash and EEPROM Memories
  - Read Device ID
  - Full-chip Erase
  - Read/Write Configuration Bytes
  - Security Setting From ISP Command
  - Remote Application Start Command
- In-Application Programming/Self Programming
  - Read/Write Flash and EEPROM Memories
  - Read Device ID
  - Block Erase
  - Read/write Configuration Bytes
  - Bootloader Start

## Description

This document describes the UART bootloader functionalities as well as the serial protocol to efficiently perform operations on the on-chip memory. Additional information on the T89C51CC02 product can be found in the T89C51CC02 datasheet and the T89C51CC02 errata sheet available on the Atmel web site, [www.atmel.com](http://www.atmel.com).

The bootloader software Package (source code and binary) currently used for production is available from the Atmel web site.

Bootloader Revision	Purpose of Modifications	Date
Revisions 1.2.0	First release	03/12/2002



**CAN  
Microcontrollers**

**T89C51CC02  
UART  
Bootloader**



## Functional Description

The T89C51CC02 Bootloader facilitates In-System Programming and In-Application Programming.

## In-System Programming Capability

In-System Programming (ISP) allows the user to program or reprogram a microcontroller's on-chip Flash memory without removing it from the system and without the need of a pre-programmed application.

The UART bootloader can manage a communication with a host through the serial network. It can also access and perform requested operations on the on-chip Flash memory.

## In-Application Programming or Self Programming Capability

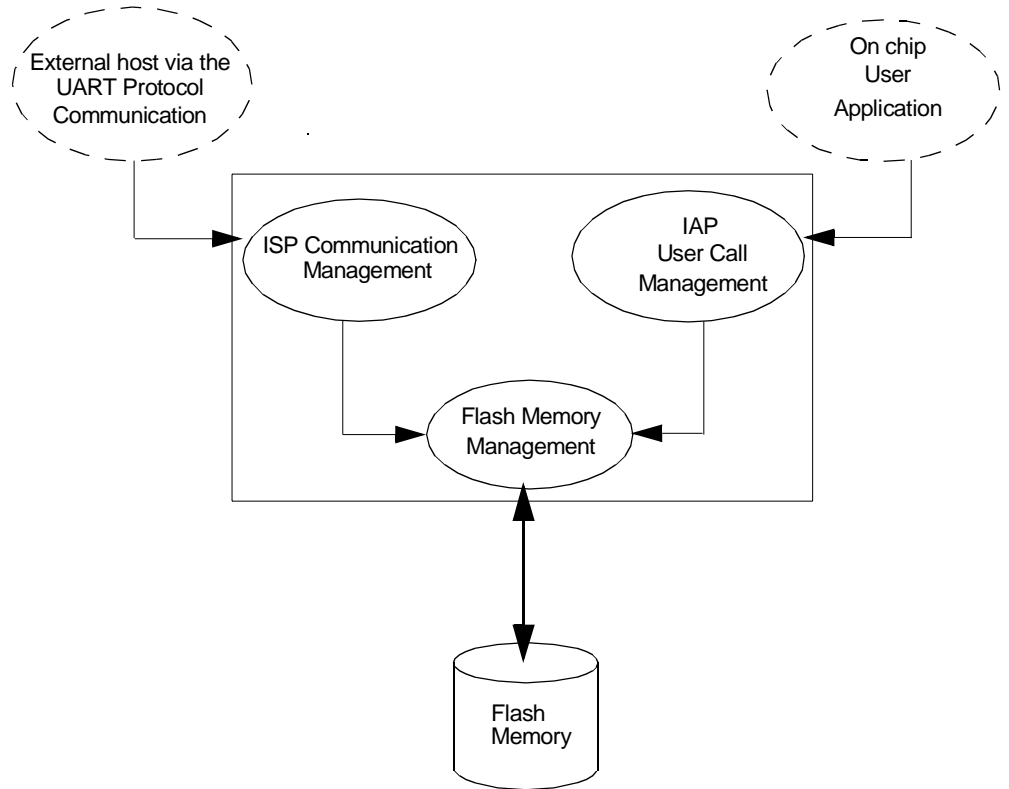
In-Application Programming (IAP) allows the reprogramming of a microcontroller's on-chip Flash memory without removing it from the system and while the embedded application is running.

The UART bootloader contains some Application Programming Interface routines named API routines allowing IAP by using the user's firmware.

## Block Diagram

This section describes the different parts of the bootloader. The figure below shows the on-chip bootloader and IAP processes.

**Figure 1.** Bootloader Process Description



## ISP Communication Management

The purpose of this process is to manage the communication and its protocol between the on-chip bootloader and an external device (host). The on-chip bootloader implements a Serial protocol (see Section “Protocol”, page 9). This process translates serial communication frames (UART) into Flash memory accesses (read, write, erase...).

## User Call Management

Several Application Program Interface (API) calls are available to the application program to selectively erase and program Flash pages. All calls are made through a common interface (API calls) included in the bootloader. The purpose of this process is to translate the application request into internal Flash Memory operations.

## Flash Memory Management

This process manages low level accesses to the Flash memory (performs read and write accesses).

## Bootloader Configuration

### Configuration and Manufacturer Information

The table below lists Configuration and Manufacturer byte information used by the bootloader. This information can be accessed through a set of API or ISP commands.

Mnemonic	Description	Default Value
BSB	Boot Status Byte	FFh
SBV	Software Boot Vector	FCh
P1_CF	Port 1 Configuration	FEh
P3_CF	Port 3 Configuration	FFh
P4_CF	Port 4 Configuration	FFh
SSB	Software Security Byte	FFh
EB	Extra Byte	FFh
Manufacturer		58h
Id1: Family code		D7h
Id2: Product Name		BBh
Id3: Product Revision		FFh



## Mapping and Default Value of Hardware Security Byte

The 4 Most Significant Byte (MSB) of the Hardware Byte can be read/written by software (this area is called Fuse bits). The 4 (Least Significant Byte) LSB can only be read by software and written by hardware in parallel mode (with parallel programmer devices).

Bit Position	Mnemonic	Default Value	Description
7	X2B	U	To start in x1 mode
6	BLJB	P	To map the boot area in code area between F800h-FFFFh
5	reserved	U	
4	reserved	U	
3	reserved	U	
2	LB2	P	To lock the chip (see data sheet)
1	LB1	U	
0	LB0	U	

Note: U: Unprogram = 1  
P: Program = 0

## Security

The bootloader has Software Security Byte (SSB) to protect itself from user access or ISP access.

The Software Security Byte (SSB) protects from ISP accesses. The command "Program Software Security Bit" can only write a higher priority level. There are three levels of security:

- level 0: **NO\_SECURITY** (FFh)  
This is the default level.  
From level 0, one can write level 1 or level 2.
- level 1: **WRITE\_SECURITY** (FEh)  
In this level it is impossible to write in the Flash memory, BSB and SBV.  
The Bootloader returns an error message.  
From level 1, one can write only level 2.
- level 2: **RD\_WR\_SECURITY** (FCh)  
Level 2 forbids all read and write accesses to/from the Flash memory.  
The Bootloader returns an error message.

Only a full chip erase command can reset the software security bits.

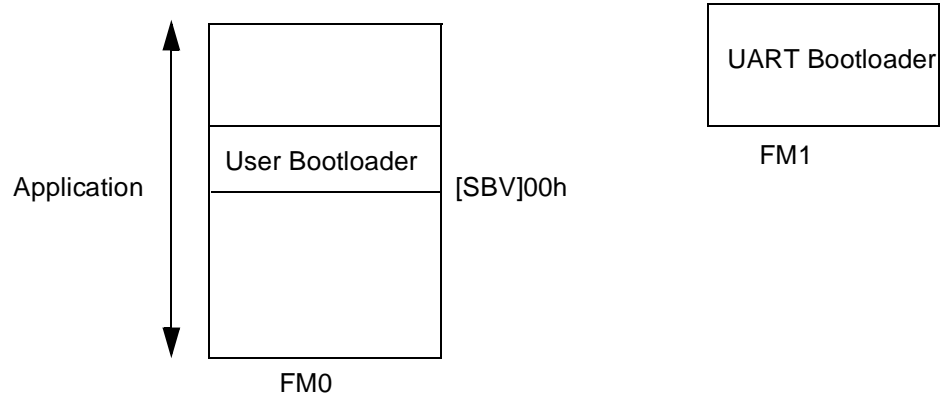
	Level 0	Level 1	Level 2
Flash/EEPROM	Any access allowed	Read only access allowed	All access not allowed
Fuse bit	Any access allowed	Read only access allowed	All access not allowed
BSB & SBV & EB	Any access allowed	Read only access allowed	All access not allowed
SSB	Any access allowed	Write level2 allowed	Read only access allowed
Manufacturer info	Read only access allowed	Read only access allowed	Read only access allowed
Bootloader info	Read only access allowed	Read only access allowed	Read only access allowed
Erase block	Allowed	Not allowed	Not allowed
Full chip erase	Allowed	Allowed	Allowed
Blank Check	Allowed	Allowed	Allowed

## Software Boot Vector

The Software Boot Vector (SBV) forces the execution of a user bootloader starting at address [SBV]00h in the application area (FM0).

The way to start this user bootloader is described in the section “Boot Process”.

**Figure 2.** Software Boot Vector



## FLIP Software Program

FLIP is a PC software program running under Windows® 9x/2K/XP Windows NT® and LINUX® that supports all Atmel Flash microcontroller and CAN protocol communication media.

This software program is available free of charge from the Atmel web site.

## In-System Programming

The ISP allows the user to program or reprogram a microcontroller's on-chip Flash memory through the serial line without removing it from the system and without the need of a pre-programmed application.

This section describes how to start the UART bootloader and all higher level protocol over the serial line.

## Boot Process

The bootloader can be activated in two ways:

- Hardware condition
- Regular boot process

## Hardware Condition

The Hardware Condition forces the bootloader execution from reset.

The default factory Hardware Condition is assigned to port P1.

- P1 must be equal to FEh

In order to offer the best flexibility, the user can define its own Hardware Condition on one of this following Port:

- Port1
- Port3
- Port4 (only bit0 and bit1)

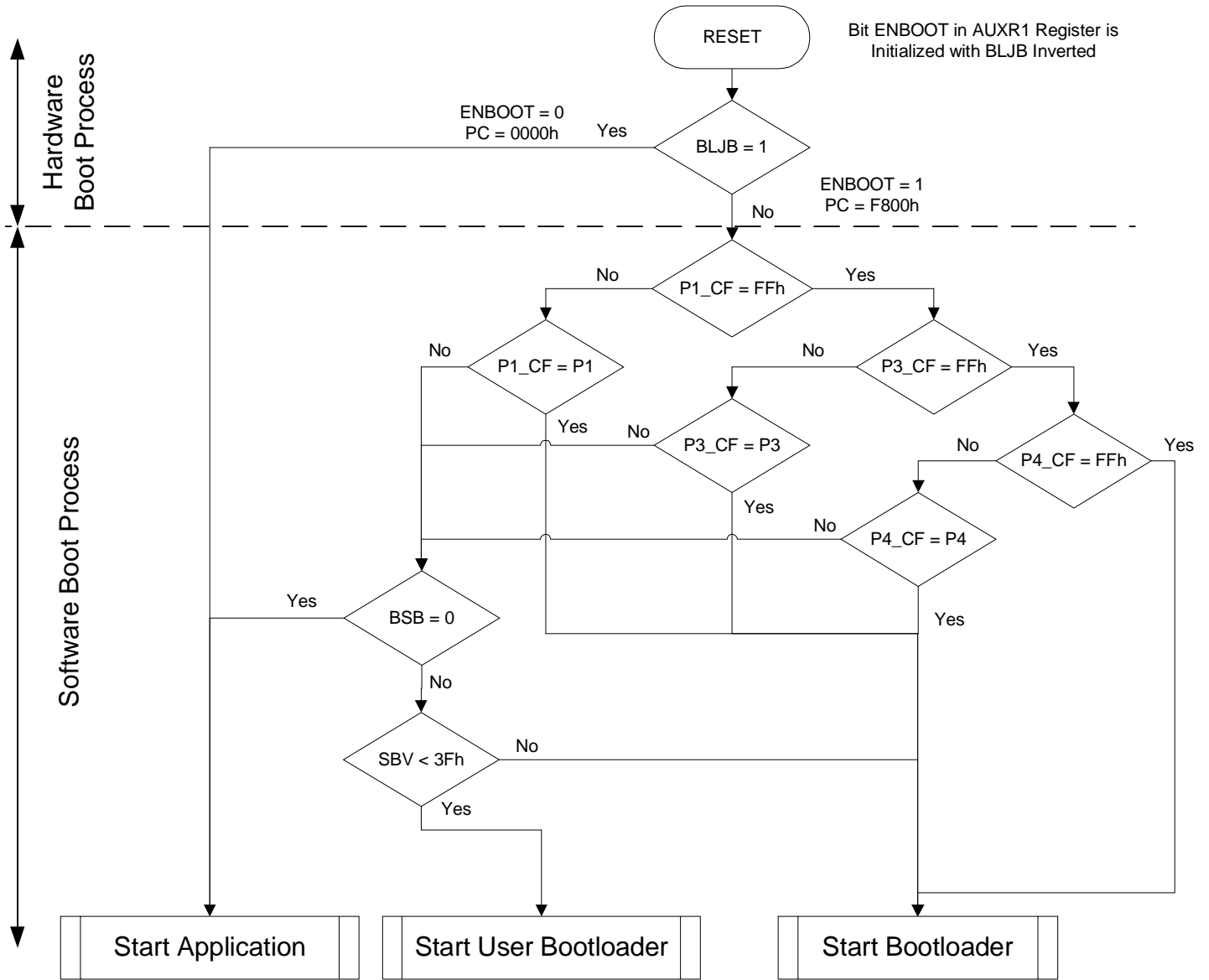
The Hardware Condition configuration are stored in three bytes called P1\_CF, P3\_CF, P4\_CF.

These bytes can be modified by the user through a set of API or through an ISP command.

There is a priority between P1\_CF, P3\_CF and P4\_CF (see boot process diagram).

Note: The BLJB must be at 0 (programmed) to be able to restart the bootloader.  
If the BLJB is equal to 1 (unprogrammed) only the hardware parallel programmer can change this bit (see T89C51CC02 Datasheet for more detail).

# Regular Boot Process



## Physical Layer

The UART used to transmit information has the following configuration:

- Character: 8-bit data
- Parity: none
- Stop: 2 bit
- Flow control: none
- Baud rate: autobaud is performed by the bootloader to compute the baud rate chosen by the host.

## Frame Description

The Serial Protocol is based on the Intel Hex-type records.

Intel Hex records consist of ASCII characters used to represent hexadecimal values and are summarized below.

**Table 1.** Intel Hex Type Frame

Record Mark ':'	Record length	Load Offset	Record Type	Data or Info	Checksum
1 byte	1 byte	2 bytes	1 bytes	n byte	1 byte

- Record Mark:
  - Record Mark is the start of frame. This field must contain ':'.
- Record length:
  - Record length specifies the number of Bytes of information or data which follows the Record Type field of the record.
- Load Offset:
  - Load Offset specifies the 16-bit starting load offset of the data Bytes, therefore this field is used only for
  - Data Program Record.
- Record Type:
  - Record Type specifies the command type. This field is used to interpret the remaining information within the frame.
- Data/Info:
  - Data/Info is a variable length field. It consists of zero or more Bytes encoded as pairs of hexadecimal digits. The meaning of data depends on the Record Type.
- Checksum:
  - The two's complement of the 8-bit Bytes that result from converting each pair of ASCII hexadecimal digits to one Byte of binary, and including the Record Length field to and including the last Byte of the Data/Info field. Therefore, the sum of all the ASCII pairs in a record after converting to binary, from the Record Length field to and including the Checksum field, is zero.



## Protocol

### Overview

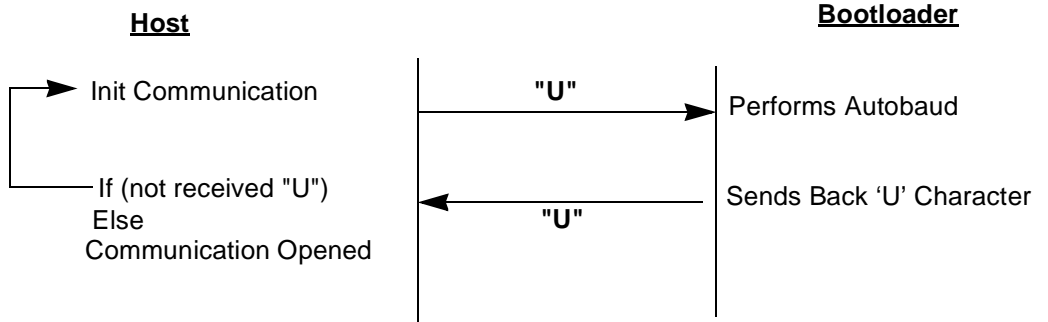
An initialization step must be performed after each Reset. After microcontroller reset, the bootloader waits for an autobaud sequence (see Section “Autobaud Performances”).

When the communication is initialized the protocol depends on the record type issued by the host.

### Communication Initialization

The host initiates the communication by sending a 'U' character to help the bootloader to compute the baudrate (autobaud).

**Figure 3.** Initialization



### Autobaud Performances

The bootloader supports a wide range of baud rates. It is also adaptable to a wide range of oscillator frequencies. This is accomplished by measuring the bit-time of a single bit in a received character. This information is then used to program the baud rate in terms of timer counts based on the oscillator frequency. Table 2 shows the autobaud capabilities.

**Table 2.** Autobaud Performances

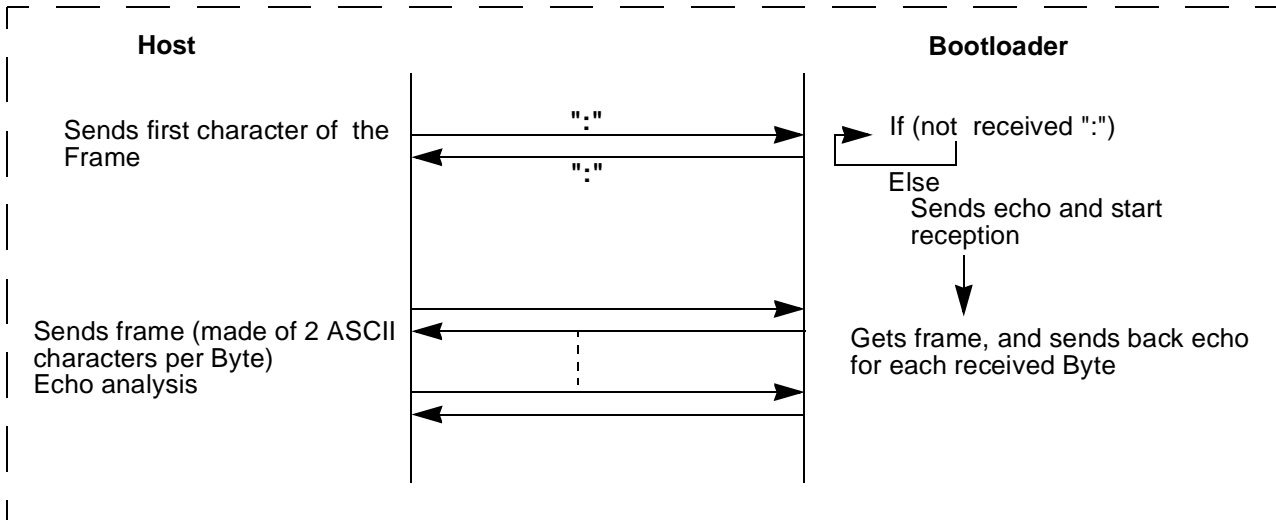
Frequency (MHz) Baudrate (kHz)	1.8432	2	2.4576	3	3.6864	4	5	6	7.3728
2400	OK	OK	OK	OK	OK	OK	OK	OK	OK
4800	OK	-	OK	OK	OK	OK	OK	OK	OK
9600	OK	-	OK	OK	OK	OK	OK	OK	OK
19200	OK	-	OK	OK	OK	-	-	OK	OK
38400	-	-	OK		OK	-	OK	OK	OK
57600	-	-	-	-	OK	-	-	-	OK
115200	-	-	-	-	-	-	-	-	OK
Frequency (MHz) Baudrate (kHz)	8	10	11.0592	12	14.746	16	20	24	26.6
2400	OK	OK	OK	OK	OK	OK	OK	OK	OK
4800	OK	OK	OK	OK	OK	OK	OK	OK	OK
9600	OK	OK	OK	OK	OK	OK	OK	OK	OK
19200	OK	OK	OK	OK	OK	OK	OK	OK	OK

Frequency (MHz) Baudrate (kHz)	8	10	11.0592	12	14.746	16	20	24	26.6
38400	-	-	OK	OK	OK	OK	OK	OK	OK
57600	-	-	OK	-	OK	OK	OK	OK	OK
115200	-	-	OK	-	OK	-	-	-	-

### Command Data Stream Protocol

All commands are sent using the same flow. Each frame sent by the host is echoed by the bootloader.

**Figure 4.** Command Flow



## Programming the Flash or EEPROM Data

The flow described below shows how to program data in the Flash memory or in the EEPROM data memory.

The bootloader programs on a page of 128 bytes basis when it is possible.

The host must take care that:

- The data to program transmitted within a frame are in the same page.

### Requests from Host

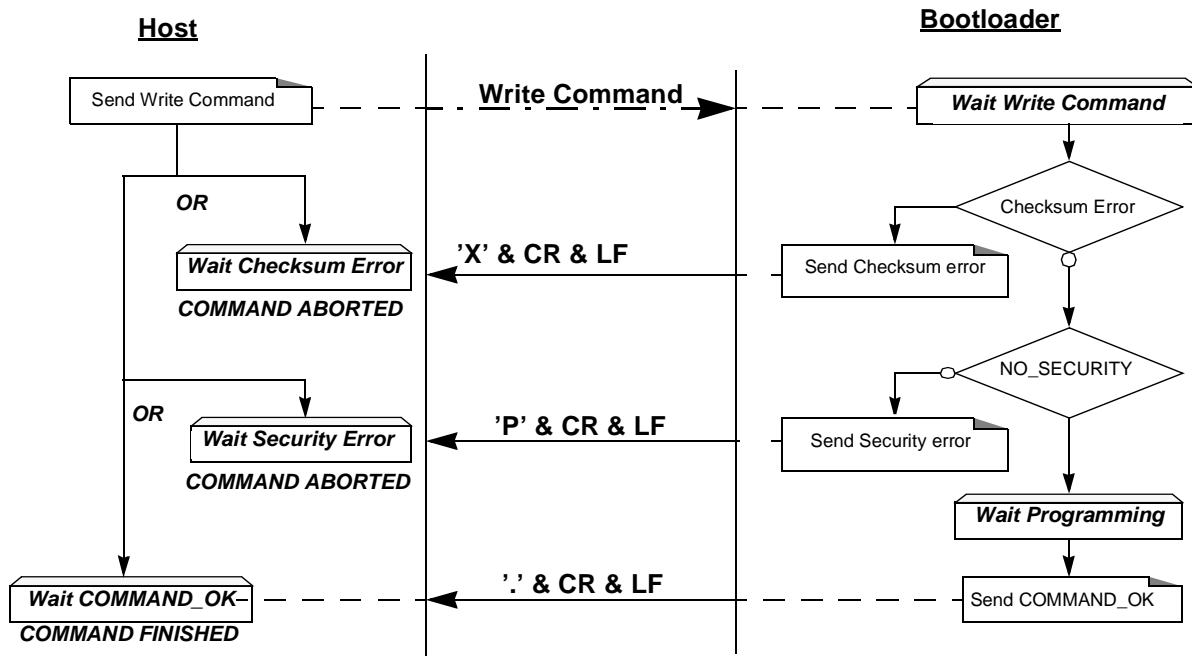
Command Name	Record type	Load Offset	Record length	Data[0]	...	Data[127]
Program Flash	00h	start address	nb of Data	x	...	x
Program EEPROM Data	07h	start address	nb of Data	x	...	x

### Answers from Bootloader

The boot loader answers with:

- '.' & 'CR' & 'LF' when the data are programmed
- 'X' & 'CR' & 'LF' if the checksum is wrong
- 'P' & 'CR' & 'LF' if the Security is set

### Flow Description



### Example

Programming Data (write 55h at address 0010h in the Flash)

```

HOST          : 01 0010 00 55 9A
BOOTLOADER    : 01 0010 00 55 9A . CR LF
  
```

## Read the Flash or EEPROM Data

The flow described below allows the user to read data in the Flash memory or in the EEPROM data memory. A blank check command is possible with this flow.

The device splits into blocks of 16 bytes the data to transfer to the Host if the number of data to display is greater than 16 data bytes.

### Requests from Host

Command Name	Record Type	Load Offset	Record Length	Data[0]	Data[1]	Data[2]	Data[3]	Data[4]
Read Flash	04h	x	05h	start address		end Address		00h
Blank check on Flash								01h
Read EEPROM Data								02h

Note: The field "Load offset" is not used.

### Answers from Bootloader

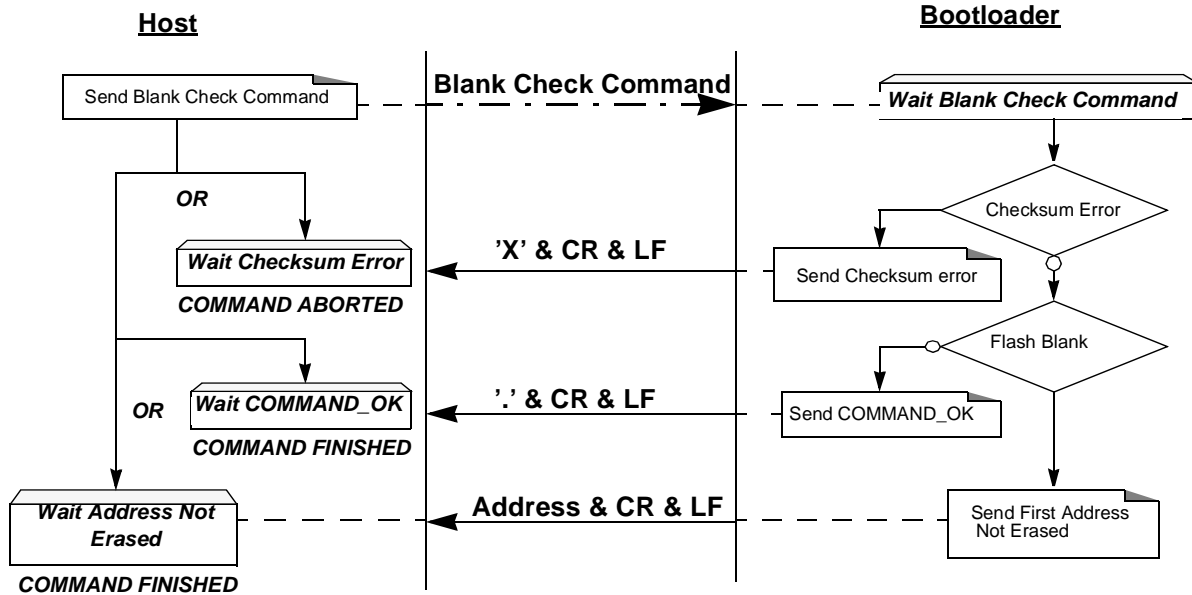
The boot loader answers to a read Flash or EEPROM Data memory command:

- 'Address = data ' & 'CR' & 'LF' up to 16 data by line.
- 'X' & 'CR' & 'LF' if the checksum is wrong
- 'L' & 'CR' & 'LF' if the Security is set

The bootloader answers to blank check command:

- '.' & 'CR' & 'LF' when the blank check is ok
- 'First Address wrong' 'CR' & 'LF' when the blank check is fail
- 'X' & 'CR' & 'LF' if the checksum is wrong
- 'P' & 'CR' & 'LF' if the Security is set

### Flow Description: Blank Check Command



Example

Blank Check ok

HOST : 05 0000 04 0000 7FFF 01 78  
 BOOTLOADER : 05 0000 04 0000 7FFF 01 78 . CR LF

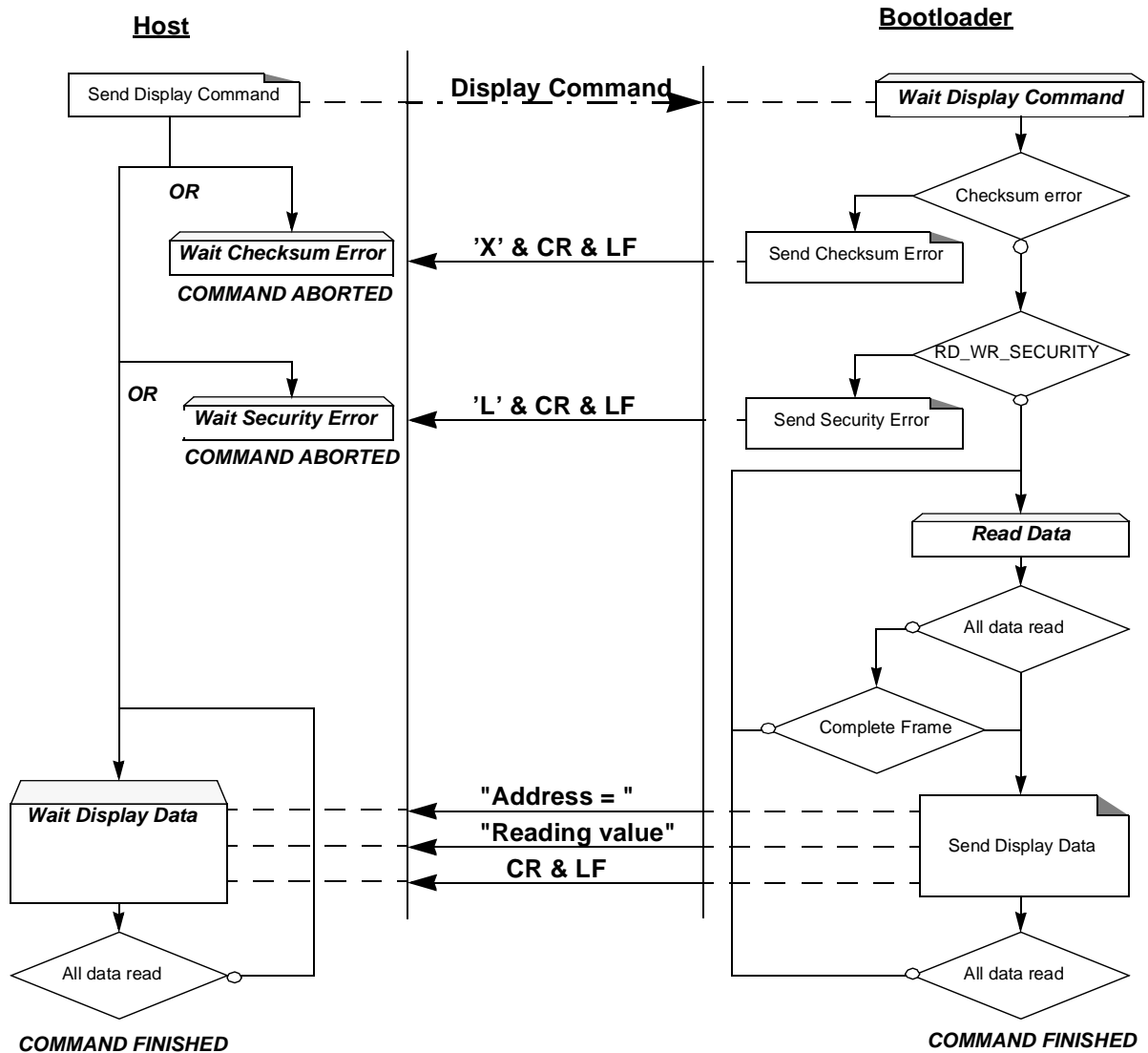
Blank Check ko at address xxxx

HOST : 05 0000 04 0000 7FFF 01 78  
 BOOTLOADER : 05 0000 04 0000 7FFF 01 78 xxxx CR LF

Blank Check with checksum error

HOST : 05 0000 04 0000 7FFF 01 70  
 BOOTLOADER : 05 0000 04 0000 7FFF 01 70 X CR LF CR LF

Flow Description: Read Command



Note: The maximum size of block is 400h. To read more than 400h Bytes, the Host must send a new command.

*Example*

Display data from address 0000h to 0020h

```

HOST          : 05 0000 04 0000 0020 00 D7
BOOTLOADER    : 05 0000 04 0000 0020 00 D7
BOOTLOADER    0000=-----data----- CR LF   (16 data)
BOOTLOADER    0010=-----data----- CR LF   (16 data)
BOOTLOADER    0020=data CR LF                   (1 data)
    
```

**Program Configuration Information**

The flow described below allows the user to program Configuration Information regarding the bootloader functionality.

The Boot Process Configuration:

- BSB
- SBV
- P1\_CF, P3\_CF, P4\_CF
- Fuse bits (BLJB and X2 bits) (see Section “Mapping and Default Value of Hardware Security Byte”)
- SSB
- EB

*Requests from Host*

Command Name	Record Type	Load Offset	Record Length	Data[0]	Data[1]	Data[2]
Erase SBV & BSB	03h	x	02h	04h	00h	-
Program SSB level1			02h	05h	00h	-
Program SSB level2					01h	-
Program BSB			03h	06h	00h	value
Program SBV					01h	
Program P1_CF					02h	
Program P3_CF					03h	
Program P4_CF					04h	
Program EB					06h	
Program bit BLJB			03h	0Ah	04h	bit value
Program bit X2					08h	

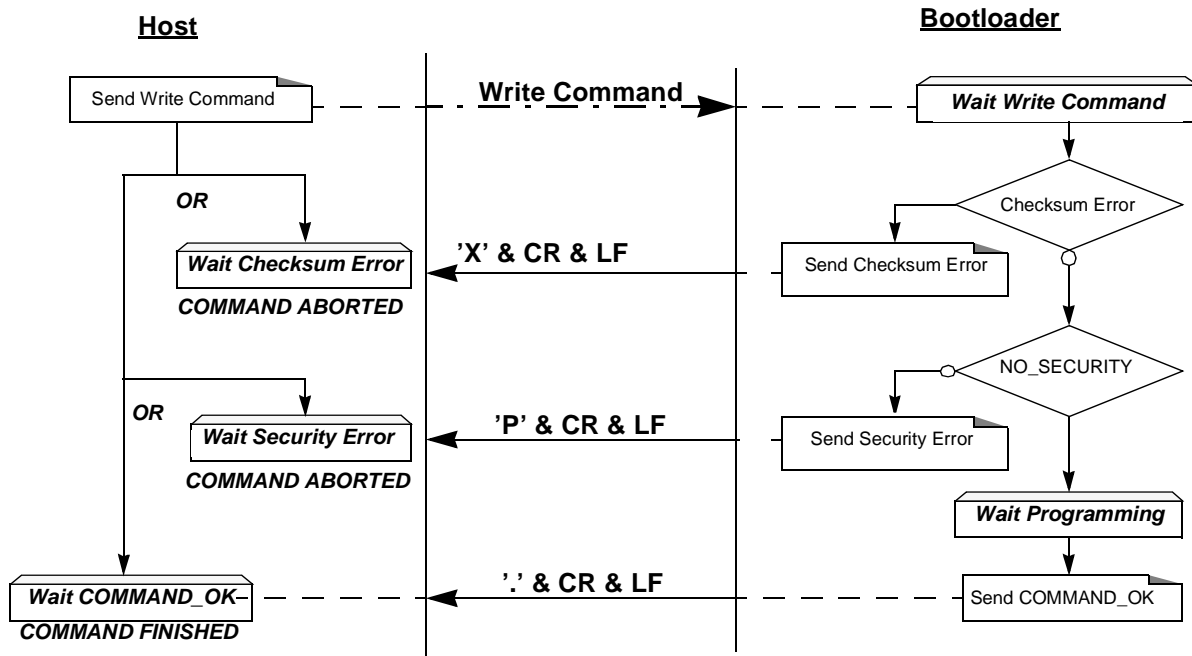
Note: 1. The field “Load Offset” is not used  
 2. To program the BLJB and X2 bit the “bit value” is 00h or 01h.

*Answers from Bootloader*

The bootloader answers with:

- ‘.’ & ‘CR’ & ‘LF’ when the value is programmed
- ‘X’ & ‘CR’ & ‘LF’ if the checksum is wrong
- ‘P’ & ‘CR’ & ‘LF’ if the Security is set

Flow Description



Example

Programming Atmel function (write SSB to level 2)

```

HOST          : 02 0000 03 05 01 F5
BOOTLOADER    : 02 0000 03 05 01 F5. CR LF
    
```

Writing Frame (write BSB to 55h)

```

HOST          : 03 0000 03 06 00 55 9F
BOOTLOADER    : 03 0000 03 06 00 55 9F . CR LF
    
```

## Read Configuration Information or Manufacturer Information

The flow described below allows the user to read the configuration or manufacturer information.

### Requests from Host

Command Name	Record Type	Load Offset	Record Length	Data[0]	Data[1]
Read Manufacturer Code	05h	x	02h	00h	00h
Read Family Code					01h
Read Product Name					02h
Read Product Revision					03h
Read SSB				07h	00h
Read BSB					01h
Read SBV					02h
Read P1_CF					03h
Read P3_CF					04h
Read P4_CF					05h
Read EB					06h
Read HSB (Fuse bit)				0Bh	00h
Read Device ID1				0Eh	00h
Read Device ID2					01h
Read Bootloader version				0Fh	00h

Note: The field "Load Offset" is not used

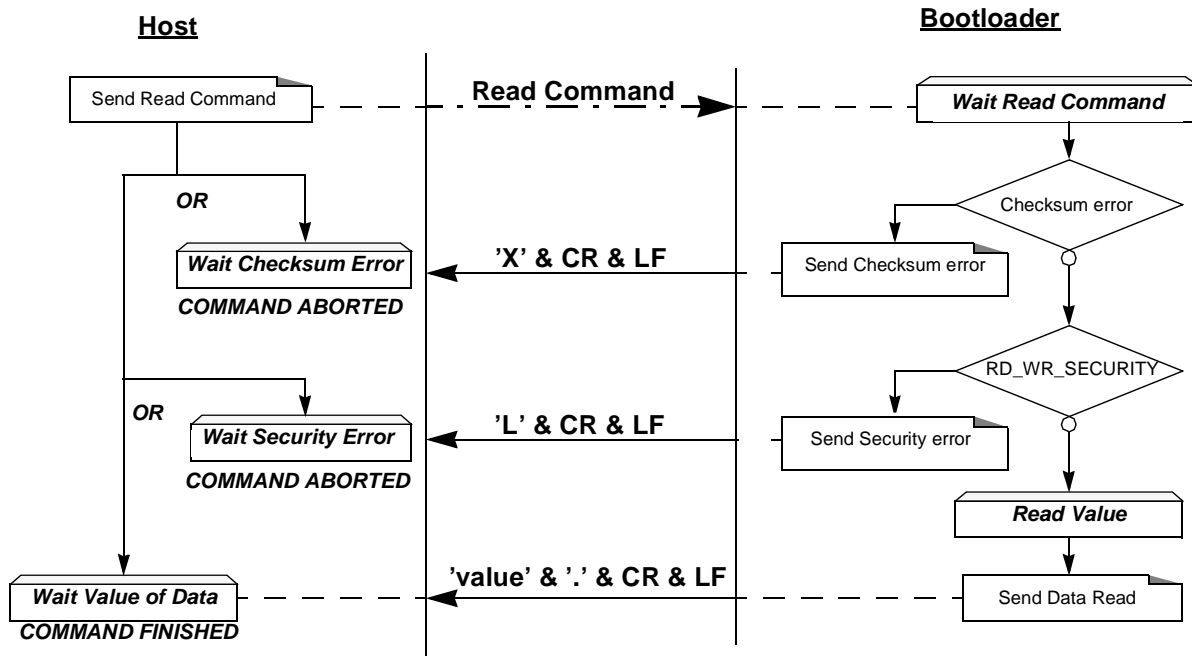
### Answers from Bootloader

The bootloader answers with:

- 'value' & '.' & 'CR' & 'LF' when the value is programmed
- 'X' & 'CR' & 'LF' if the checksum is wrong
- 'P' & 'CR' & 'LF' if the Security is set



Flow Description



Example

Read function (read SBV)

```

HOST          : 02 0000 05 07 02 F0
BOOTLOADER    : 02 0000 05 07 02 F0 Value . CR LF
  
```

Atmel Read function (read Bootloader version)

```

HOST          : 02 0000 01 02 00 FB
BOOTLOADER    : 02 0000 01 02 00 FB Value . CR LF
  
```

## Erase the Flash

The flow described below allows the user to erase the Flash memory.

Two modes of Flash erasing are possible:

- Full Chip erase
- Block erase

The Full Chip erase command erases the whole Flash (16K bytes) and sets some Configuration Bytes at their default values:

- BSB = FFh
- SBV = FCh
- SSB = FFh (NO\_SECURITY)

The full chip erase is always executed whatever the Software Security Byte value is.

Note: Take care that the full chip erase execution takes few seconds (128 pages)

The Block erase command erases only a part of the Flash.

Three Blocks are defined in the T89C51CC02:

- block0 (From 0000h to 1FFFh)
- block1 (From 2000h to 3FFFh)

### Requests from Host

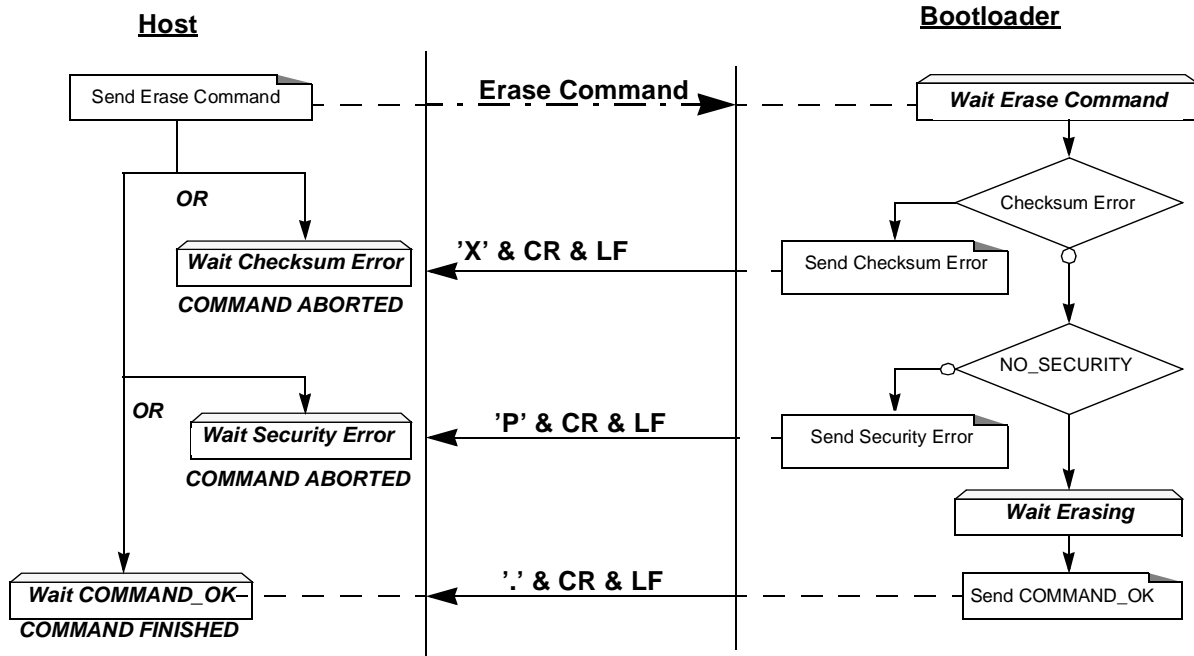
Command Name	Record Type	Load Offset	Record Length	Data[0]	Data[1]
Erase block0 (0k to 8k)	03h	x	02h	01h	00h
Erase block1 (8k to 16k)					20h
Full chip erase			01h	07h	-

### Answers from Bootloader

As the Program Configuration Information flows, the erase block command has three possible answers:

- '.' & 'CR' & 'LF' when the data are programmed
- 'X' & 'CR' & 'LF' if the checksum is wrong
- 'P' & 'CR' & 'LF' if the Security is set

Flow Description



Example

Full Chip Erase

```

HOST          : 01 0000 03 07 F5
BOOTLOADER    : 01 0000 03 07 F5 . CR LF
  
```

Erase Block1(8k to 16k)

```

HOST          : 02 0000 03 01 20 DA
BOOTLOADER    : 02 0000 03 01 20 DA . CR LF
  
```

## Start the Application

The flow described below allows to start the application directly from the bootloader upon a specific command reception.

Two options are possible:

- Start the application with a reset pulse generation (using watchdog).  
When the device receives this command the watchdog is enabled and the bootloader enters a waiting loop until the watchdog resets the device.  
Take care that if an external reset chip is used the reset pulse in output may be wrong and in this case the reset sequence is not correctly executed.
- Start the application without reset  
A jump at the address 0000h is used to start the application without reset.

### Requests from Host

Command Name	Record type	Load Offset	Record Length	Data[0]	Data[1]	Data[2]	Data[3]
Start application with a reset pulse generation	03h	x	02h	03h	00h	-	-
Start application with a jump at "address"			04h		01h	Address	

### Answer from Bootloader

No answer is returned by the device.

### Example

#### Start Application with reset pulse

HOST : 02 0000 03 03 00 F8

BOOTLOADER : 02 0000 03 03 00 F8

#### Start Application without reset at address 0000h

HOST : 04 0000 03 03 01 00 00 F5

BOOTLOADER : 04 0000 03 03 01 00 00 F5

---

## In-Application Programming/Self-programming

The IAP allows to reprogram a microcontroller's on-chip Flash memory without removing it from the system and while the embedded application is running.

The user application can call some Application Programming Interface (API) routines allowing IAP. These API are executed by the bootloader.

To call the corresponding API, the user must use a set of Flash\_api routines which can be linked with the application.

Example of Flash\_api routines are available on the Atmel web site on the software application note:

*C Flash Drivers for the T89C51CC02UA*

The Flash\_api routines on the package work only with the UART bootloader.

The Flash\_api routines are listed in APPENDIX-2.

## API Call

### Process

The application selects an API by setting R1, ACC, DPTR0 and DPTR1 registers.

All calls are made through a common interface "USER\_CALL" at the address FFF0h.

The jump at the USER\_CALL must be done by LCALL instruction to be able to come-back in the application.

Before jump at the USER\_CALL, the bit ENBOOT in AUXR1 register must be set.

### Constraints

The interrupts are not disabled by the bootloader.

Interrupts must be disabled by user prior to jump to the USER\_CALL, then re-enabled when returning.

Interrupts must also be disabled before accessing EEPROM Data then re-enabled after.

The user must take care of hardware watchdog before launching a Flash operation.

For more information regarding the Flash writing time see the T89C51CC02 data sheet.

## API Commands

Several types of APIs are available:

- Read/Program Flash and EEPROM Data memory
- Read Configuration and Manufacturer Information
- Program Configuration Information
- Erase Flash
- Start bootloader

### Read/Program Flash and EEPROM Data Memory

All routines to access EEPROM Data are managed directly from the application without using bootloader resources.

To read the Flash memory the bootloader is not involved.

For more details on these routines see the T89C51CC02 Data sheet sections “Program/Code Memory” and “EEPROM Data Memory”

Two routines are available to program the Flash:

- \_\_api\_wr\_code\_byte
- \_\_api\_wr\_code\_page

- The application program load the column latches of the Flash then call the \_\_api\_wr\_code\_byte or \_\_api\_wr\_code\_page see data sheet in section “Program/Code Memory”.
- Parameter settings

API_name	R1	DPTR0	DPTR1	Acc
__api_wr_code_byte	02h	Address in Flash memory to write	-	Value to write
__api_wr_code_page	09h	Address of the first Byte to program in the Flash memory	Address in XRAM of the first data to program	Number of Byte to program

- Instruction: LCALL FFF0h.

Note: No special resources are used by the bootloader during this operation

### Read Configuration and Manufacturer Information

- Parameter settings

API_name	R1	DPTR0	DPTR1	Acc
__api_rd_HSB	0Bh	0000h	x	return HSB
__api_rd_BSB	07h	0001h	x	return BSB
__api_rd_SBV	07h	0002h	x	return SBV
__api_rd_SSB	07h	0000h	x	return SSB
__api_rd_EB	07h	0006h	x	return EB
__api_rd_manufacturer	00h	0000h	x	return manufacturer id
__api_rd_device_id1	00h	0001h	x	return id1

API_name	R1	DPTR0	DPTR1	Acc
__api_rd_device_id2	00h	0002h	x	return id2
__api_rd_device_id3	00h	0003h	x	return id3
__api_rd_bootloader_version	0Fh	0000h	x	return value

- Instruction: LCALL FFF0h.
- At the complete API execution by the bootloader, the value to read is in the api\_value variable.

Note: No special resources are used by the bootloader during this operation

## Program Configuration Information

- Parameter settings

API Name	R1	DPTR0	DPTR1	Acc
__api_set_X2	0Ah	0008h	x	00h
__api_clr_X2	0Ah	0008h	x	01h
__api_set_BLJB	0Ah	0004h	x	00h
__api_clr_BLJB	0Ah	0004h	x	01h
__api_wr_BSB	06h	0000h	x	value to write
__api_wr_SBV	06h	0001h	x	value to write
__api_wr_EB	06h	0006h	x	value to write
__api_wr_SSB_LEVEL0	05h	FFh	x	x
__api_wr_SSB_LEVEL1	05h	FEh	x	x
__api_wr_SSB_LEVEL2	05h	FCh	x	x

- Instruction: LCALL FFF0h.

Note: 1. See in the T89C51CC02 data sheet the time that a write operation takes.  
2. No special resources are used by the bootloader during these operations

## Erase Flash

The T89C51CC02 flash memory is divided in several blocks:

Block 0: from address 0000h to 1FFFh

Block 1: from address 2000h to 3FFFh

These two blocks contain 64 pages.

- Parameter settings

API Name	R1	Dptr0	Dptr1	Acc
__api_erase_block0	01h	0000h	x	x
__api_erase_block1		2000h	x	x

- Instruction: LCALL FFF0h.

Note:

- See the T89C51CC02 data sheet for the time that a write operation takes and this time must multiply by the number of pages.
- No special resources are used by the bootloader during these operations

## Start Bootloader

This routine allows to start at the beginning of the bootloader as after a reset. After calling this routine the regular boot process is performed and the communication must be opened before any action.

- No special parameter setting
- Set bit ENBOOT in AUXR1 register
- instruction: LJUMP or LCALL at address F800h



## Appendix-A

**Table 3.** Summary of frames from Host

Command	Record Type	Record Length	Offset	Data[0]	Data[1]	Data[2]	Data[3]	Data[4]
Program Nb Data Byte in Flash.	00h	nb of data (up to 80h)	start address	x	x	x	x	x
Erase block0 (0000h-1FFFh)	03h	02h	x	01h	00h	-	-	-
Erase block1 (2000h-3FFFh)					20h	-	-	-
Start application with a reset pulse generation		02h	x	03h	00h	-	-	-
Start application with a jump at "address"		04h	x		01h	address		-
Erase SBV & BSB		02h	x	04h	00h	-	-	-
Program SSB level 1					00h	-	-	-
Program SSB level 2					01h	-	-	-
Program BSB		03h	x	06h	00h	value	-	-
Program SBV					01h	value	-	-
Program P1_CF					02h	value	-	-
Program P3_CF					03h	value	-	-
Program P4_CF					04h	value	-	-
Program EB		01h	x	07h	06h	value	-	-
Full Chip Erase					-	-	-	-
Program bit BLJB		03h	x	0Ah	04h	bit value	-	-
Program bit X2					08h	bit value	-	-
Read Flash	04h	05h	x	Start Address		End Address		00h
Blank Check								01h
Read EEPROM Data								02h

**Table 3.** Summary of frames from Host (Continued)

Command	Record Type	Record Length	Offset	Data[0]	Data[1]	Data[2]	Data[3]	Data[4]
Read Manufacturer Code	05h	02h	x	00h	00h	-	-	-
Read Family Code					01h	-	-	-
Read Product Name					02h	-	-	-
Read Product Revision					03h	-	-	-
Read SSB				07h	00h	-	-	-
Read BSB					01h	-	-	-
Read SBV					02h	-	-	-
Read P1_CF					03h	-	-	-
Read P3_CF					04h	-	-	-
Read P4_CF					05h	-	-	-
Read EB				06h	-	-	-	
Read Hardware Byte				0Bh	00h	-	-	-
Read Device Boot ID1				0Eh	00h	-	-	-
Read Device Boot ID2					01h	-	-	-
Read Bootloader Version				0Fh	00h	-	-	-
Program Nb Data byte in EEPROM				00h	nb of data (up to 80h)	start address	x	x

## Appendix-B

Table 4. API Summary

Function Name	Bootloader Execution	R1	DPTR0	DPTR1	Acc
__api_rd_code_byte	no				
__api_wr_code_byte	yes	02h	Address in Flash memory to write	-	Value to write
__api_wr_code_page	yes	09h	Address of the first Byte to program in the Flash memory	Address in XRAM of the first data to program	Number of Byte to program
__api_erase_block0	yes	01h	0000h	x	x
__api_erase_block1	yes	01h	2000h	x	x
__api_rd_HSB	yes	0Bh	0000h	x	return value
__api_set_X2	yes	0Ah	0008h	x	00h
__api_clr_X2	yes	0Ah	0008h	x	01h
__api_set_BLJB	yes	0Ah	0004h	x	00h
__api_clr_BLJB	yes	0Ah	0004h	x	01h
__api_rd_BSB	yes	07h	0001h	x	return value
__api_wr_BSB	yes	06h	0000h	x	value
__api_rd_SBV	yes	07h	0002h	x	return value
__api_wr_SBV	yes	06h	0001h	x	value
__api_erase_SBV	yes	06h	0001h	x	FCh
__api_rd_SSB	yes	07h	0000h	x	return value
__api_wr_SSB_level0	yes	05h	00FFh	x	x
__api_wr_SSB_level1	yes	05h	00FEh	x	x
__api_wr_SSB_level2	yes	05h	00FCh	x	x
__api_rd_EB	yes	07h	0006h	x	return value
__api_wr_EB	yes	06h	0006h	x	value
__api_rd_manufacturer	yes	00h	0000h	x	return value
__api_rd_device_id1	yes	00h	0001h	x	return value
__api_rd_device_id2	yes	00h	0002h	x	return value
__api_rd_device_id3	yes	00h	0003h	x	return value
__api_rd_bootloader_version	yes	0Fh	0000h	x	return value
__api_eeeprom_busy	no				
__api_rd_eeeprom_byte	no				
__api_wr_eeeprom_byte	no				
__api_start_bootloader	no				

---

## Table of Contents

<b>Features</b> .....	<b>1</b>
<b>Description</b> .....	<b>1</b>
<b>Functional Description</b> .....	<b>2</b>
In-System Programming Capability .....	2
In-Application Programming or Self Programming Capability .....	2
Block Diagram .....	2
Bootloader Configuration .....	3
Security .....	4
Software Boot Vector .....	5
FLIP Software Program .....	5
<b>In-System Programming</b> .....	<b>6</b>
Boot Process .....	6
Physical Layer .....	8
Protocol .....	9
<b>In-Application Programming/Self-programming</b> .....	<b>21</b>
API Call .....	21
API Commands .....	22
<b>Appendix-A</b> .....	<b>25</b>
<b>Appendix-B</b> .....	<b>27</b>



## Atmel Corporation

2325 Orchard Parkway  
San Jose, CA 95131, USA  
Tel: 1(408) 441-0311  
Fax: 1(408) 487-2600

## Regional Headquarters

### Europe

Atmel Sarl  
Route des Arsenaux 41  
Case Postale 80  
CH-1705 Fribourg  
Switzerland  
Tel: (41) 26-426-5555  
Fax: (41) 26-426-5500

### Asia

Room 1219  
Chinachem Golden Plaza  
77 Mody Road Tsimshatsui  
East Kowloon  
Hong Kong  
Tel: (852) 2721-9778  
Fax: (852) 2722-1369

### Japan

9F, Tonetsu Shinkawa Bldg.  
1-24-8 Shinkawa  
Chuo-ku, Tokyo 104-0033  
Japan  
Tel: (81) 3-3523-3551  
Fax: (81) 3-3523-7581

## Atmel Operations

### Memory

2325 Orchard Parkway  
San Jose, CA 95131, USA  
Tel: 1(408) 441-0311  
Fax: 1(408) 436-4314

### Microcontrollers

2325 Orchard Parkway  
San Jose, CA 95131, USA  
Tel: 1(408) 441-0311  
Fax: 1(408) 436-4314

La Chantrerie  
BP 70602  
44306 Nantes Cedex 3, France  
Tel: (33) 2-40-18-18-18  
Fax: (33) 2-40-18-19-60

### ASIC/ASSP/Smart Cards

Zone Industrielle  
13106 Rousset Cedex, France  
Tel: (33) 4-42-53-60-00  
Fax: (33) 4-42-53-60-01

1150 East Cheyenne Mtn. Blvd.  
Colorado Springs, CO 80906, USA  
Tel: 1(719) 576-3300  
Fax: 1(719) 540-1759

Scottish Enterprise Technology Park  
Maxwell Building  
East Kilbride G75 0QR, Scotland  
Tel: (44) 1355-803-000  
Fax: (44) 1355-242-743

### RF/Automotive

Theresienstrasse 2  
Postfach 3535  
74025 Heilbronn, Germany  
Tel: (49) 71-31-67-0  
Fax: (49) 71-31-67-2340

1150 East Cheyenne Mtn. Blvd.  
Colorado Springs, CO 80906, USA  
Tel: 1(719) 576-3300  
Fax: 1(719) 540-1759

### Biometrics/Imaging/Hi-Rel MPU/ High Speed Converters/RF Datacom

Avenue de Rochepleine  
BP 123  
38521 Saint-Egreve Cedex, France  
Tel: (33) 4-76-58-30-00  
Fax: (33) 4-76-58-34-80

---

## Literature Requests

[www.atmel.com/literature](http://www.atmel.com/literature)

**Disclaimer:** Atmel Corporation makes no warranty for the use of its products, other than those expressly contained in the Company's standard warranty which is detailed in Atmel's Terms and Conditions located on the Company's web site. The Company assumes no responsibility for any errors which may appear in this document, reserves the right to change devices or specifications detailed herein at any time without notice, and does not make any commitment to update the information contained herein. No licenses to patents or other intellectual property of Atmel are granted by the Company in connection with the sale of Atmel products, expressly or by implication. Atmel's products are not authorized for use as critical components in life support devices or systems.

© Atmel Corporation 2003. All rights reserved. Atmel® and combinations thereof are the registered trademarks of Atmel Corporation or its subsidiaries. Other terms and product names may be the trademarks of others.



Printed on recycled paper.