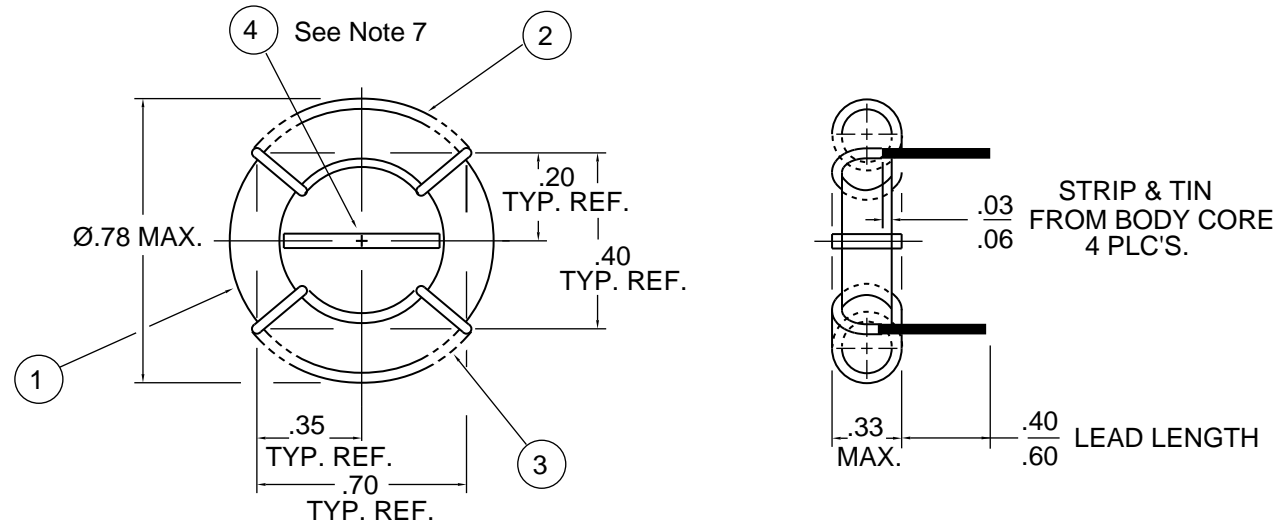


# P/N 05071 Common Mode Choke



## Notes:

1. Core Vicor #00627.
2. Magnet wire: Class 130°C NEMA MW1000, NEMA MW28-C.
3. UL-CSA-VDE approvable. 2K VDC ISO winding to winding.
4. All assemblies to be free of nicks.
5. Overwinds permissible.
6. Leads conformable to lead dimension.
7. Bond to core using Lock-Tite Super Bonder #495 or equivalent.