



EMIF04-MMC02F2

IPAD™

4 LINES EMI FILTER INCLUDING ESD PROTECTION

MAIN PRODUCT CHARACTERISTICS:

Where EMI filtering in ESD sensitive equipment is required:

- MultiMedia Card for mobile phones, Personal Digital Assistant, Digital Camera, MP3 players...

DESCRIPTION

The EMIF04-MMC02 is a highly integrated device designed to suppress EMI/RFI noise for Multi-Media Card port. The EMIF04 flip chip packaging means the package size is equal to the die size. This filter includes an ESD protection circuitry which prevents the device from destruction when subjected to ESD surges up to 15kV.

BENEFITS

- EMI symmetrical (I/O) low-pass filter
- High efficiency in EMI filtering
- Lead free package
- Very low PCB space consuming: 1.57 mm x 2.07 mm
- Very thin package: 0.65 mm
- High efficiency in ESD suppression
- High reliability offered by monolithic integration
- High reducing of parasitic elements through integration & wafer level packaging.

COMPLIES WITH THE FOLLOWING STANDARDS:

IEC61000-4-2

Level 4 15kV (air discharge)
 8kV (contact discharge)

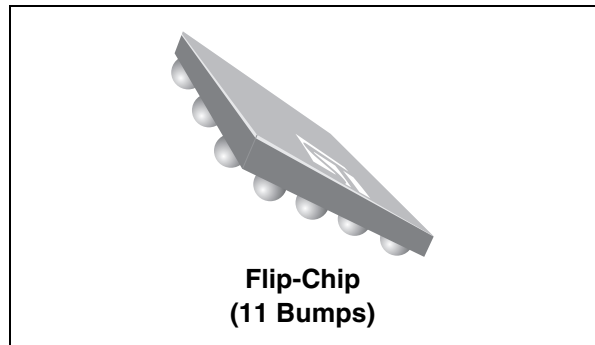


Table 1: Order Code

Part Number	Marking
EMIF04-MMC02F2	FH

Figure 1: Pin Configuration (ball side)

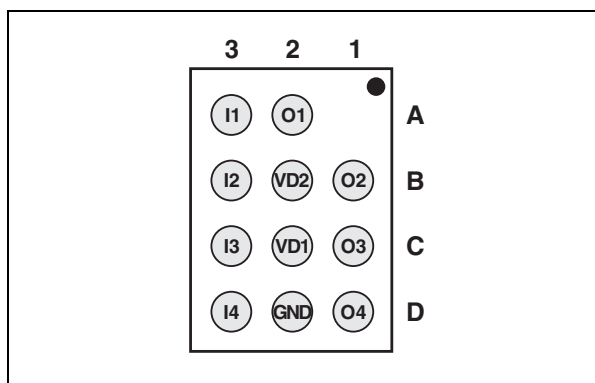
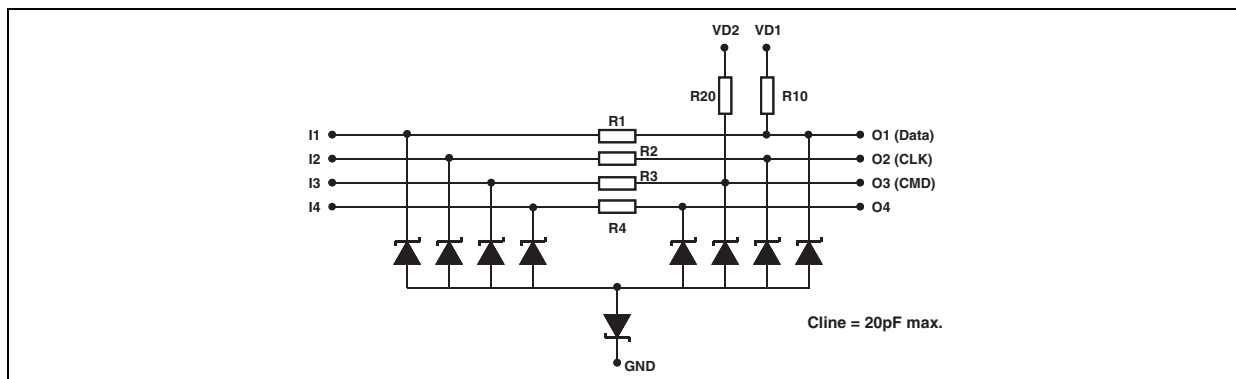


Figure 2: Configuration



TM: IPAD is a trademark of STMicroelectronics.

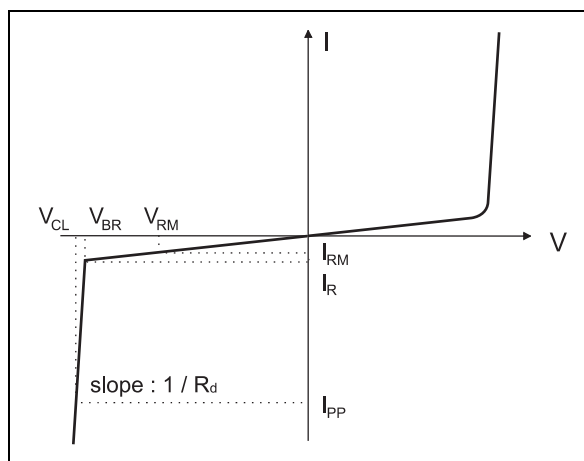
EMIF04-MMC02F2

Table 2: Absolute Ratings ($T_{amb} = 25^{\circ}\text{C}$)

Symbol	Parameter and test conditions	Value	Unit
P_R	DC power per resistor	70	mW
T_j	Maximum junction temperature	125	$^{\circ}\text{C}$
T_{op}	Operating temperature range	- 40 to + 85	$^{\circ}\text{C}$
T_{stg}	Storage temperature range	- 55 to + 150	$^{\circ}\text{C}$

Table 3: Electrical Characteristics ($T_{amb} = 25^{\circ}\text{C}$)

Symbol	Parameter
V_{BR}	Breakdown voltage
I_{RM}	Leakage current @ V_{RM}
V_{RM}	Stand-off voltage
V_{CL}	Clamping voltage
R_d	Dynamic impedance
I_{PP}	Peak pulse current
$R_{I/O}$	Series resistance between Input & Output
C_{line}	Input capacitance per line



Symbol	Test conditions	Min.	Typ.	Max.	Unit
V_{BR}	$I_R = 1 \text{ mA}$	6			V
I_{RM}	$V_{RM} = 3\text{V}$		100	500	nA
C_{line}	@ 0V			20	pF
R_1, R_2, R_3, R_4	Tolerance $\pm 5\%$		47		Ω
R_{10}	Tolerance $\pm 5\%$		13		k Ω
R_{20}	Tolerance $\pm 5\%$		56		k Ω

Figure 3: S21 (dB) attenuation measurement and Aplac simulation

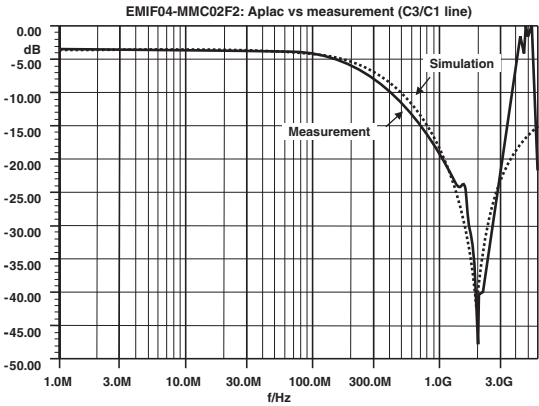


Figure 4: Crosstalk measurements

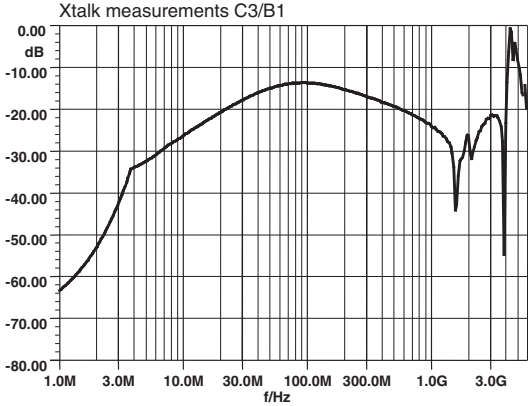


Figure 5: ESD response to IEC61000-4-2 (+15kV air discharge) on one input V(in) and on one output (Vout)

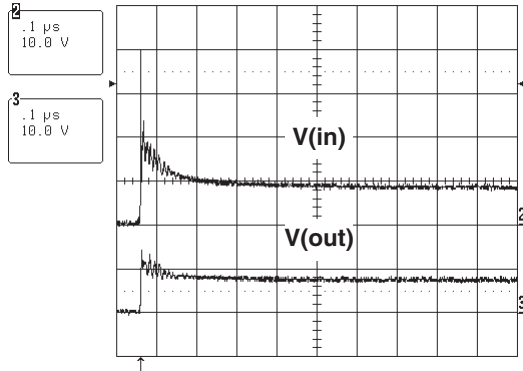


Figure 6: ESD response to IEC61000-4-2 (-15kV air discharge) on one input V(in) and on one output (Vout)

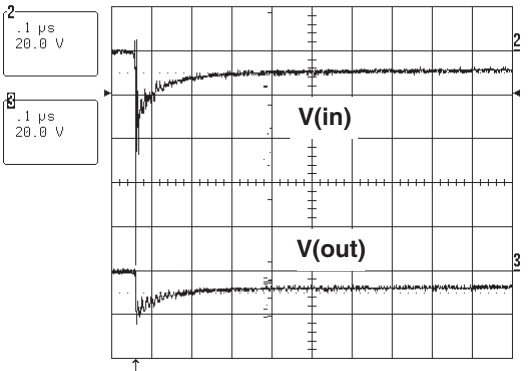


Figure 7: Junction capacitance versus reverse voltage applied (typical values)

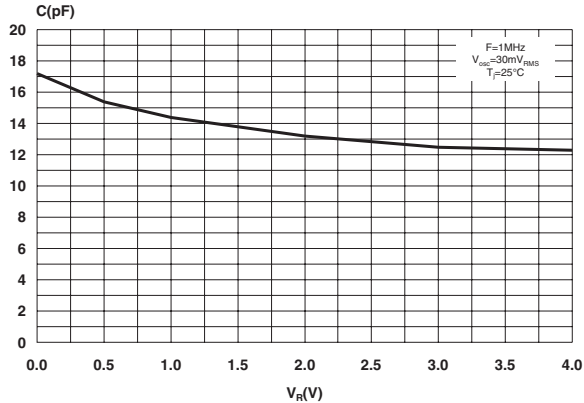


Figure 8: Aplac model device structure

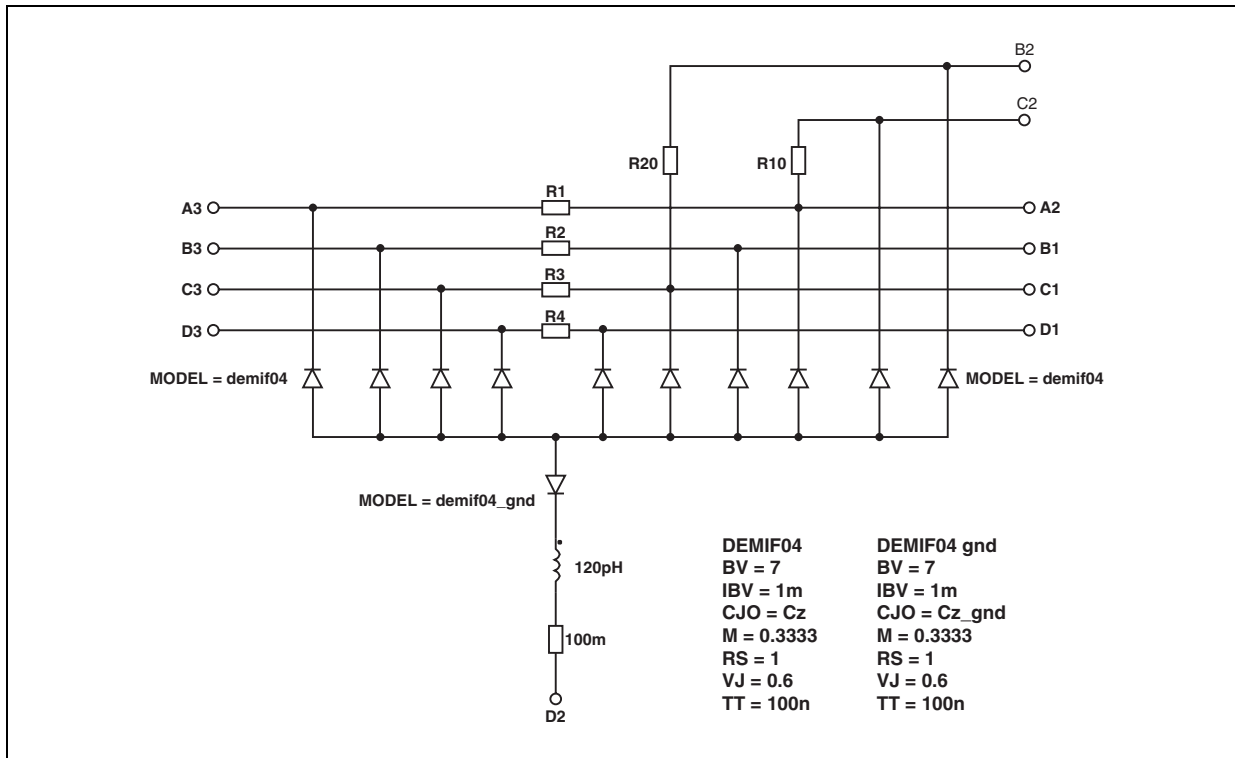


Figure 9: Aplac model connections

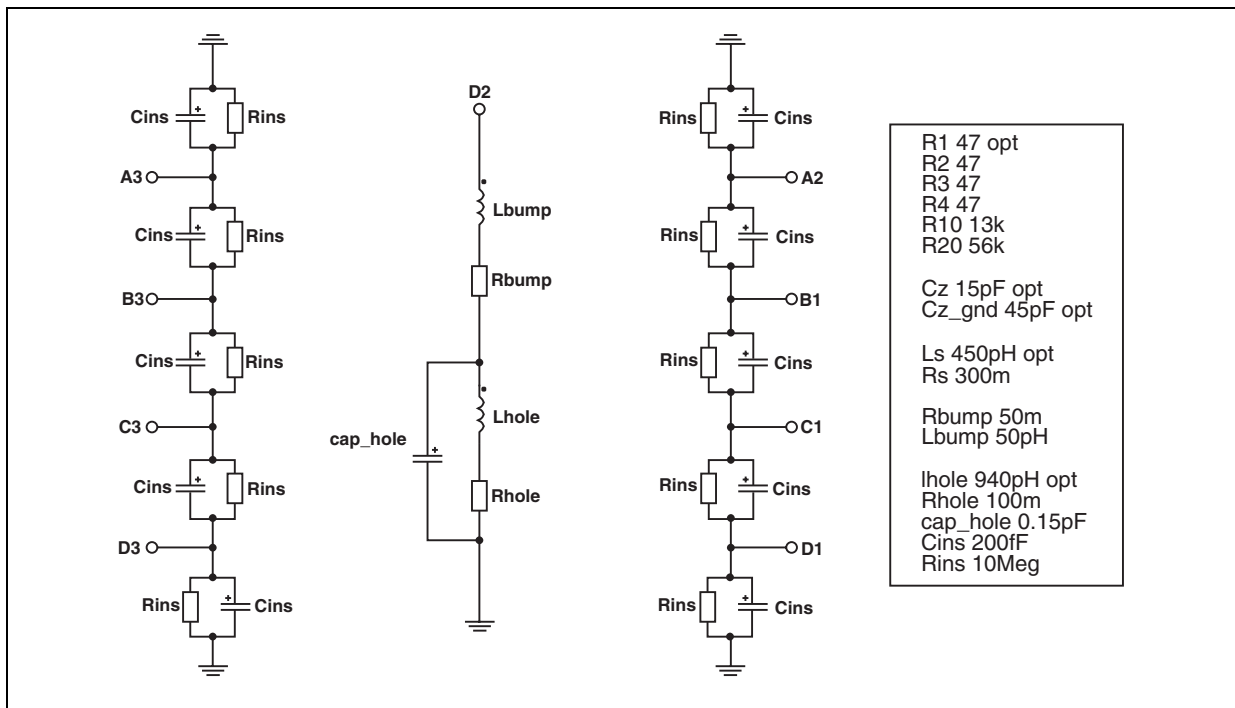


Figure 10: Order Code

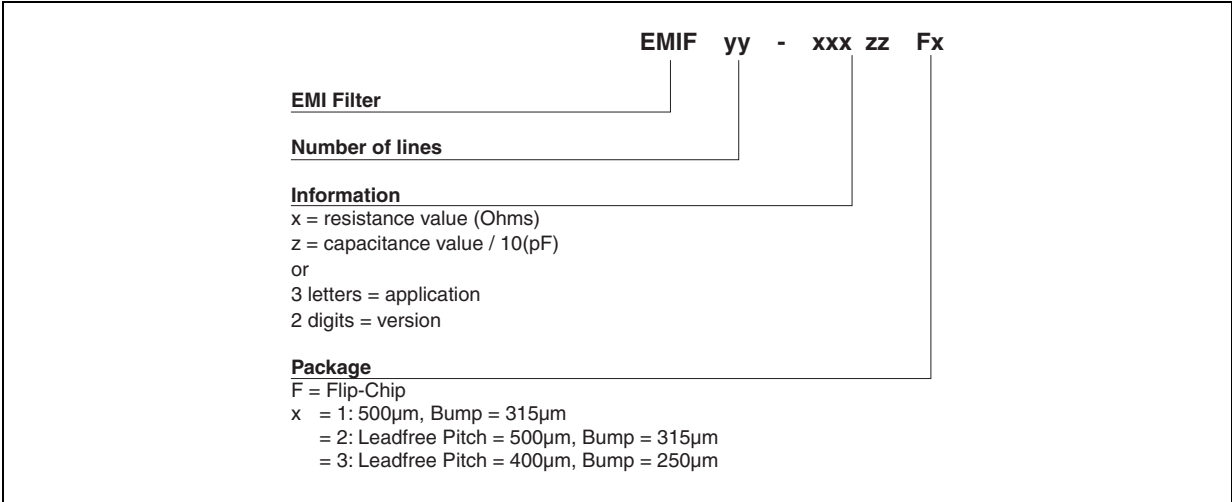


Figure 11: FLIP-CHIP Package Mechanical Data

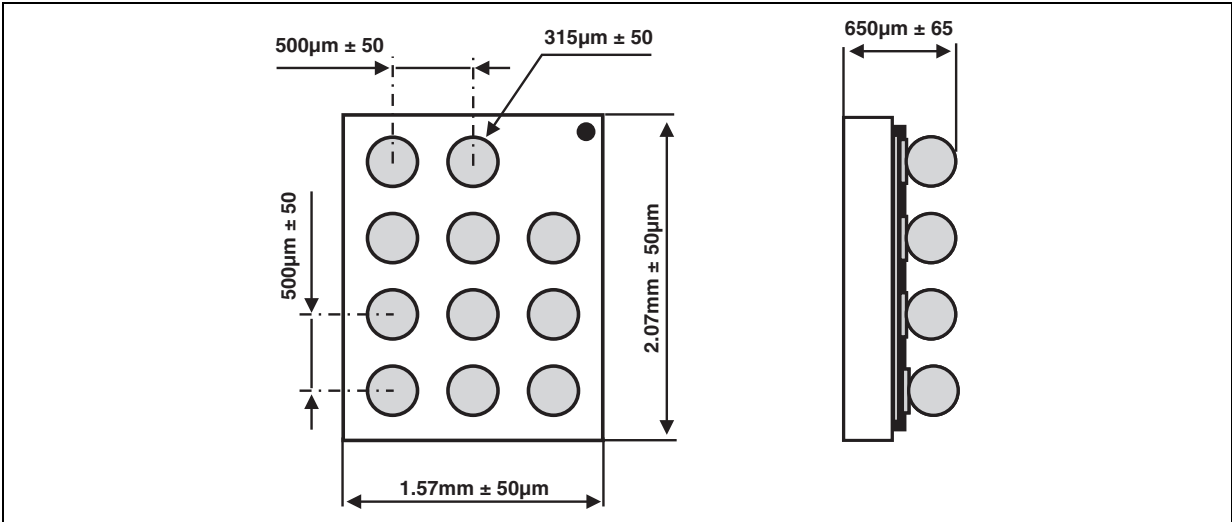


Figure 12: Foot Print Recommendations

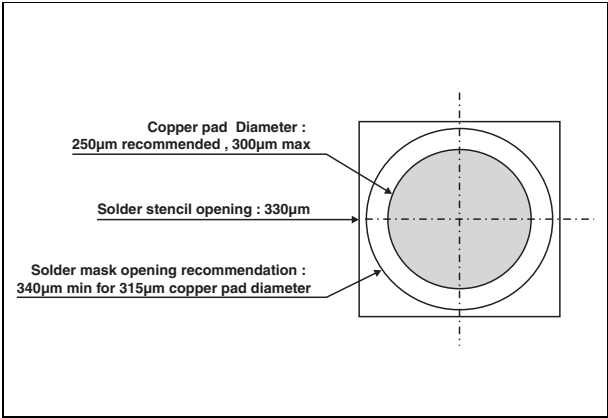
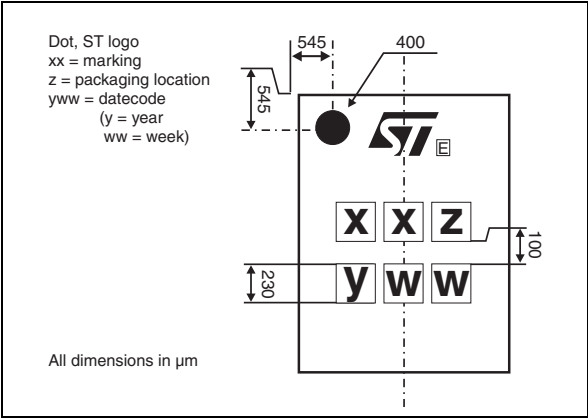


Figure 13: Marking



Information furnished is believed to be accurate and reliable. However, STMicroelectronics assumes no responsibility for the consequences of use of such information nor for any infringement of patents or other rights of third parties which may result from its use. No license is granted by implication or otherwise under any patent or patent rights of STMicroelectronics. Specifications mentioned in this publication are subject to change without notice. This publication supersedes and replaces all information previously supplied. STMicroelectronics products are not authorized for use as critical components in life support devices or systems without express written approval of STMicroelectronics.

The ST logo is a registered trademark of STMicroelectronics.
All other names are the property of their respective owners

© 2005 STMicroelectronics - All rights reserved

STMicroelectronics group of companies

Australia - Belgium - Brazil - Canada - China - Czech Republic - Finland - France - Germany - Hong Kong - India - Israel - Italy - Japan -
Malaysia - Malta - Morocco - Singapore - Spain - Sweden - Switzerland - United Kingdom - United States of America
www.st.com

