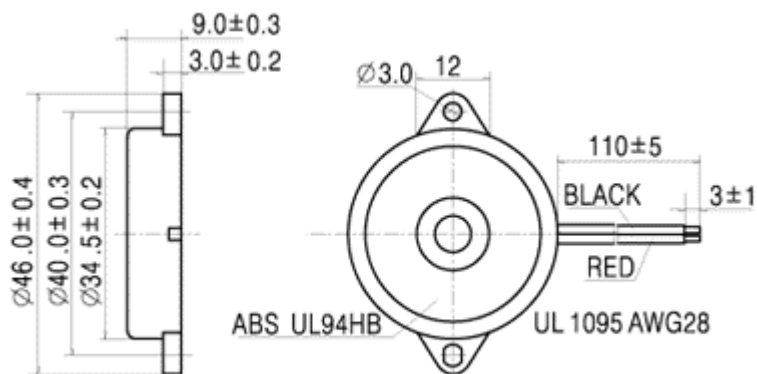




Type	BPT-35
Rated Voltage(Vp-p,Square wave)	10
Operating Voltage(Vp-p)	1~30
◆Rated Current(mA)	<3
Capacitance 120Hz(pF)	50000±30%
◆Sound Output at 1.1KHz,10cm(dB)	>85
◆Resonant Frequency(Hz)	1100 ± 500
Operating Temperature(°C)	-20~+60
Storage Temperature(°C)	-30~+80
Weight(g)	5

◆ Value applying at rated voltage.



Unit:mm

