

**FEATURES**

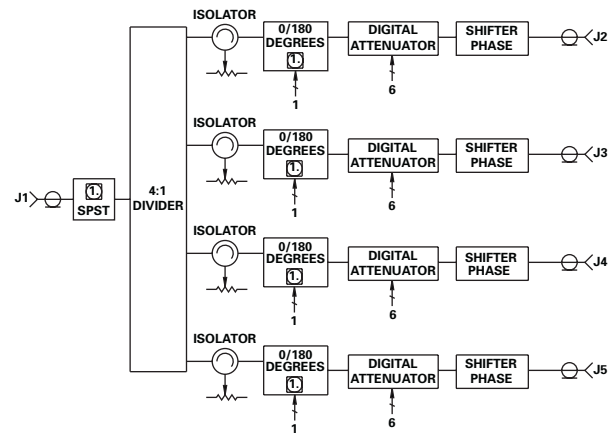
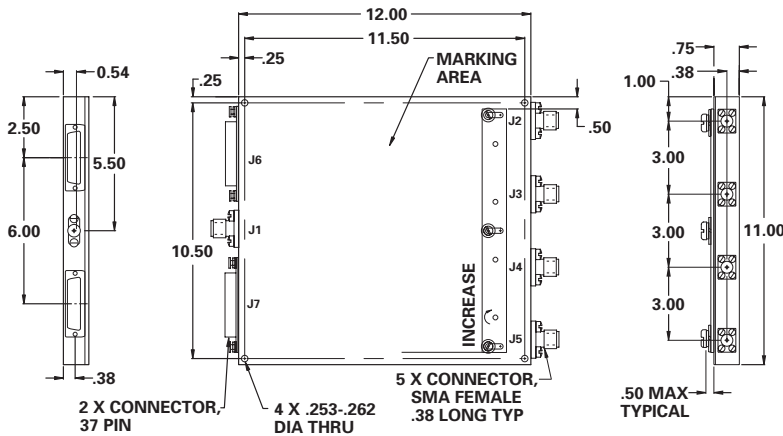
- 420 - 450 MHz
- Amplitude Tracking  $\pm 0.25$  dB Port/Port
- Phase Tracking  $\pm 3^\circ$  Max
- 6 Bit Attenuator, 1 dB LSB
- 180° Phase Shift



**MODEL NO.  
100D9105**

**Switch / Attenuator /  
Phase Shifter**

MFD



.xx = .02  
.xxx = .010

**GUARANTEED PERFORMANCE**

Parameter	Min	Typ	Max	Units	Conditions
Operating Frequency	420		450	MHz	
DC Current		550	600	mA	At +15 VDC Supply
Control Type					
Control Current	High Low			$\mu$ A $\mu$ A	$V_{IH} = +2.7$ V $V_{IL} = +0.5$ V
Insertion Loss		10	11.1	dB	Excluding 3 dB
Isolation	80 20			dB dB	Between each Combiner Input Ports
VSWR		1.2/1	1.3/1		
Impedance		50		OHMS	
Switching Speed			1	$\mu$ Sec	50% TTL to 90% / 10% RF
Transition (Rise/Fall) Time				nSec	90% / 10% or 10% / 90% RF
Switching (Video) Transients				V	Peak Value
Intercept Points	2nd 3rd			dBm dBm	
RF Power	Operate No Damage	+13 +16		dBm dBm	
Operating Temperature	+15		+50	$^\circ$ C	TA