

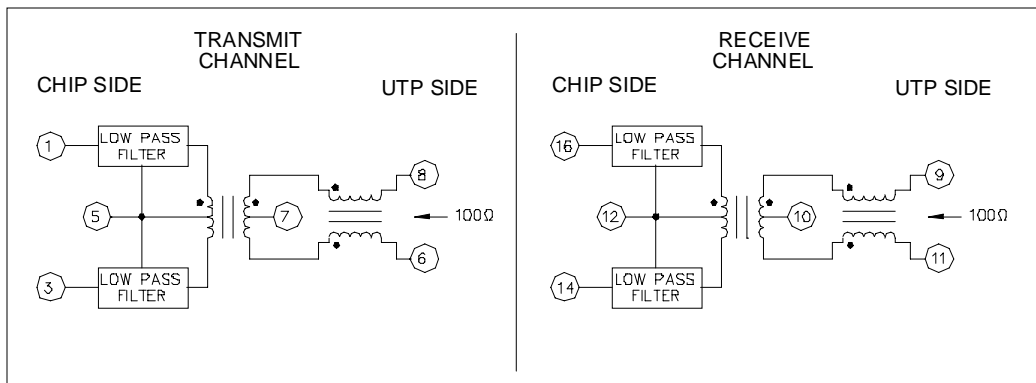


APPLICATION NOTES

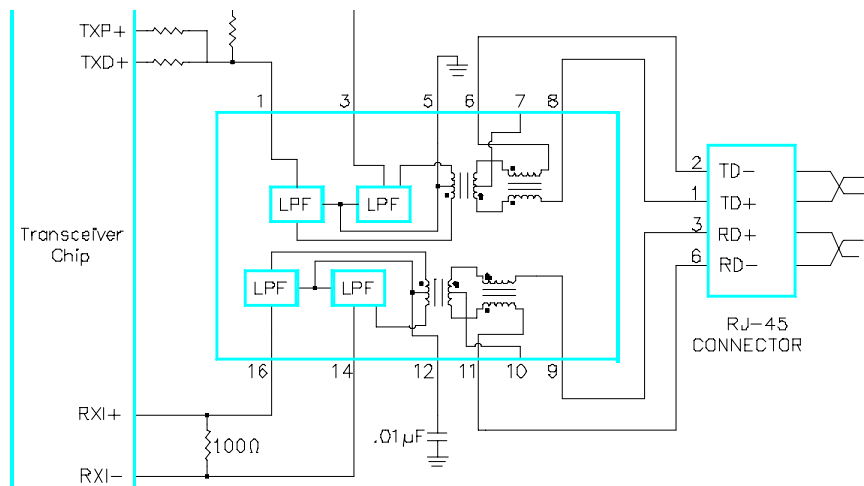
The module contains low pass filters, isolation transformers, and common mode chokes. These components provide impedance matching, equipment isolation, and EMI compression to comply with IEEE requirements. User compliance with FCC/CSPR class B requirements can be achieved by applying rigorous design guidelines to suppress noise mechanisms. Attention to high frequency signal paths, proper PCB grounding techniques, and component placement is critical. Pins 5 and 12, when grounded, provide noise return paths. At

least one of these (typically pin 12) must be coupled with bypass capacitor. Recommended module orientation with respect to RJ45 connector is illustrated in the application circuit. Output pins 6 through 11 should be routed with short, matched traces to the connector for optimum EMI performance. The robust mechanical package withstands IR reflow temperatures up to 235°C. Compliant leads provide excellent solder-joint reliability with K.002 coplanarity. Modules are shipped in tubes.

SCHEMATIC



TYPICAL APPLICATION CIRCUIT



NOTE: Resistors **NOT** included in module