

10FF-3Z-C2

RELAY SOCKET



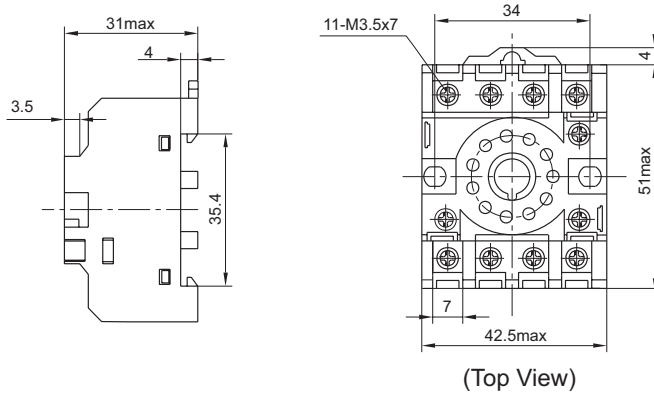
CHARACTERISTICS

Ambient temperature :	-40 °C to 70°C
Rated voltage :	300VAC
Rated current :	15A (per pole)
Insulation voltage (Min.) :	5000VAC
Protection degree DIN40050 :	IP20
Socket material :	PA66+GF V0 (UL)
Contacts spring material :	QSn6.5-0.1
Retainer :	non-available
White plastic tag :	non-available
Modules :	non-available
Terminal torque :	1.0 Nm
Wire strip length :	7mm
Applicable relay type:	HF10FF(JQX-10FF) (3 poles) HF10FH(JQX-10FH) (3 poles)

DIMENSIONS, PC BOARD LAYOUT AND WIRING DIAGRAM

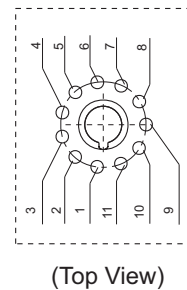
Unit: mm

Outline Dimensions



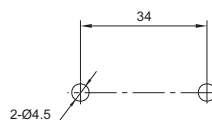
(Top View)

Wiring Diagram



(Top View)

PCB Layout



HONGFA RELAY
ISO9001、ISO/TS16949、ISO14001、OHSAS18001 CERTIFIED

2007 Rev. 1.00