

**15R6N&P**

**50 AMP  
 150 VOLTS  
 50nsec  
 EPID<sup>®</sup>  
 RECTIFIER**

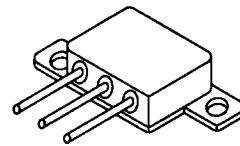
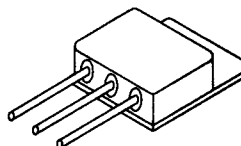
**Designer's Data Sheet**

**FEATURES:**

- EPID<sup>®</sup> High Voltage Schottky Process
- Minimal recovery time and leakage increase over temperature versus comparable rectifiers
- Lower capacitance than conventional Schottkys
- Hyper Fast Recovery: 50 nsec Maximum
- High Surge Rating
- Hermetically Sealed Power Package
- Gold Eutectic Die Attach available
- Ultrasonic Aluminum Wire Bonds
- Higher Voltage classes available
  
- TX, TXV and Space Level Screening Available

TO-258

TO-259



**MAXIMUM RATINGS**

RATING	SYMBOL	VALUE	UNIT
Peak Repetitive Reverse and DC Blocking Voltage  15R6N&P	VRRM	150	Volts
	VRWM		
	VR		
Average Rectified Forward Current (Resistive Load, 60Hz, Sine Wave, TA=25°C)	IO	50	Amps
Peak Surge Current (8.3 ms Pulse, Half Sine Wave, TA=25°C)	IFSM	400	Amps
Operating and storage temperature	Top & Tstg	-65 to +200	°C
Maximum Thermal Resistance Junction to Case, both legs tied together	RθJC	1.3	°C/W

NOTE: All specifications are subject to change without notification.  
 SCD's for these devices should be reviewed by SSDI prior to release.

**DATA SHEET#: RH0147 A**

**MED**

# 15R6N&P

PRELIMINARY

**SSDI**  
SOLID STATE DEVICES, INC

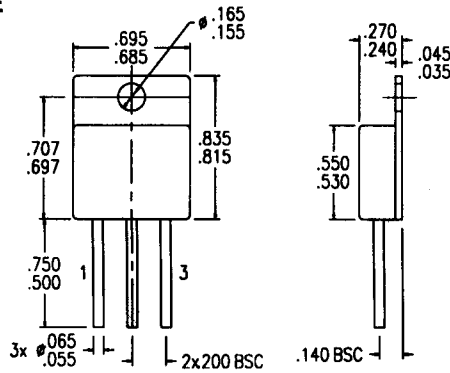
14849 Firestone Boulevard · La Mirada, CA 90638  
Phone: (714) 670-SSDI (7734) · Fax: (714) 522-7424

## ELECTRICAL CHARACTERISTICS

CHARACTERISTICS	SYMBOL	MAXIMUM	UNIT
<b>Instantaneous Forward Voltage Drop</b> (IF = 25 Adc, TA=25°C, 300µs Pulse) (IF = 50 Adc, TA=25°C, 300µs Pulse)	<b>VF</b>	0.91 1.04	<b>Vdc</b>
<b>Instantaneous Forward Voltage Drop</b> (IF = 25 Adc, TA= 100°C, 300µs Pulse) (IF = 25 Adc, TA= - 55°C, 300µs Pulse)	<b>VF</b>	0.81 1.03	<b>Vdc</b>
<b>Reverse Leakage Current</b> (Rated VR, TA=25°C, 300µs pulse minimum)	<b>IR</b>	100	<b>µA</b>
<b>Reverse Leakage Current</b> (Rated VR, TA=100°C, 300µs pulse minimum)	<b>IR</b>	2	<b>mA</b>
<b>Junction Capacitance</b> (VR = 10 Vdc, TA=25°C, f= 1 MHz )	<b>CJ</b>	250	<b>pf</b>
<b>Reverse Recovery Time</b> (IF=500mA, IR=1 A, IRR=250mA, TA=25°C)	<b>trr</b>	50	<b>nsec</b>

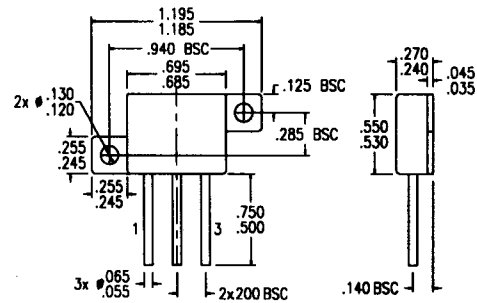
### CASE OUTLINE: TO-258

PIN 1: CATHODE  
PIN 2: ANODE  
PIN 3: ANODE



### CASE OUTLINE: TO-259

PIN 1: CATHODE  
PIN 2: ANODE  
PIN 3: ANODE



## TYPICAL OPERATING CURVES

TA=25°C Unless otherwise specified

