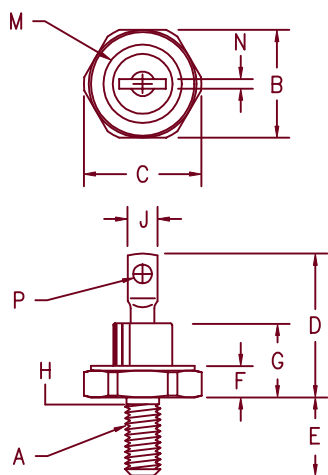


Military Silicon Power Rectifier

1N1124A–1N1128A, 1N3649, 1N3650



Notes:

1. 10–32 UNF3A
2. Full threads within 2 1/2 threads
3. Standard Polarity: Stud is Cathode
Reverse Polarity: Stud is Anode

Dim.	Inches		Millimeter		Notes
	Minimum	Maximum	Minimum	Maximum	
A	---	---	---	---	1
B	.424	.437	10.77	11.10	
C	---	.505	---	12.83	
D	---	.800	---	20.32	
E	.422	.453	10.72	11.51	
F	.075	.175	1.91	4.44	
G	---	.405	---	10.29	
H	.163	.189	4.15	4.80	2
J	.100	.140	2.54	3.56	
M	---	.350	---	8.89	Dia
N	.020	.065	.510	1.65	
P	.070	.100	1.78	2.54	Dia

D0203AA (D04)

Microsemi Catalog Number		Peak Reverse Voltage
Standard	Reverse	
1N1124A	1N1124RA	200V
1N1126A	1N1126RA	400V
1N1128A	1N1128RA	600V
1N3649	1N3649R	800V
1N3650	1N3650R	1000V

- Available in JAN
- MIL-PRF-19500/260
- Glass passivated die
- Glass to metal seal construction
- 25 Amps surge rating
- V_{RRM} to 1000 volts

Electrical Characteristics		
Average forward current	IF(AV) 3.3 Amps	TC = 150°C, half sine wave, RθJC = 2.0°C/W 8.3ms, half sine, TC = 150°C IFM = 10A: TJ = 25°C* VRRM, TJ = 25°C VRRM, TJ = 150°C
Maximum surge current	IFSM 25 Amps	
Max peak forward voltage	VFM 2.2 Volts	
Max peak reverse current	IRM 5 μA	
Max peak reverse current	IRM 200 μA	
Max Recommended Operating Frequency	10kHz	
*Pulse test: Pulse width 300 μsec. Duty cycle 2%		

Thermal and Mechanical Characteristics		
Storage temperature range	TSTG	-65°C to 200°C
Operating case temp range	TC	-65°C to 150°C
Maximum thermal resistance	RθJC	2.0°C/W Junction to Case
Mounting torque		15 inch pounds maximum
Weight		.16 ounces (5.0 grams) typical

1-12-04 Rev. 1

1N1124A-1N1128A, 1N3649, 1N3650

Figure 1
Typical Forward Characteristics

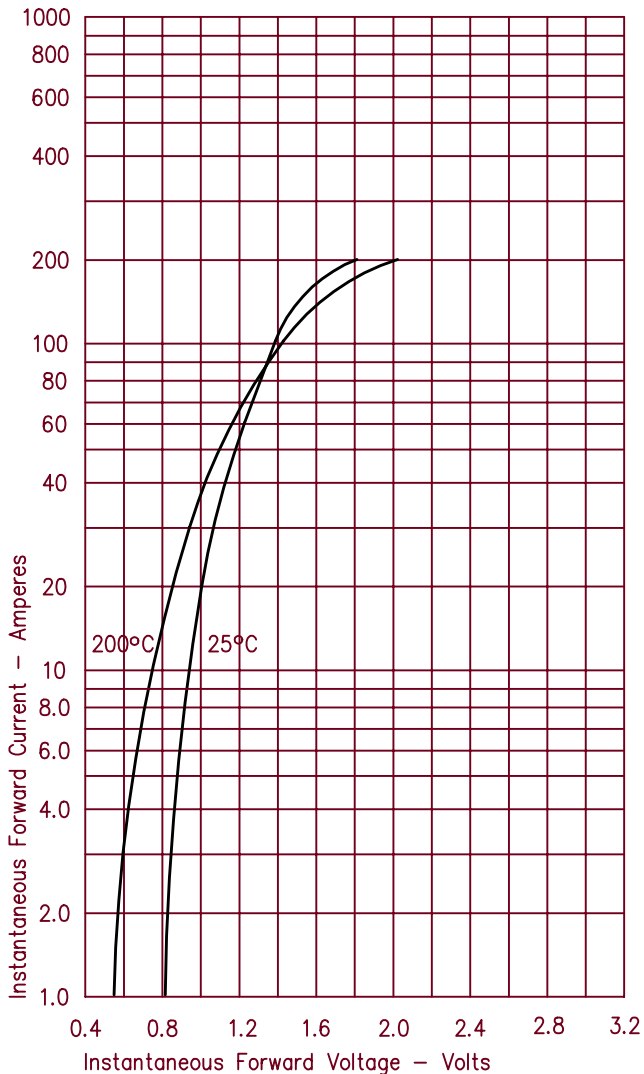


Figure 2
Typical Reverse Characteristics

