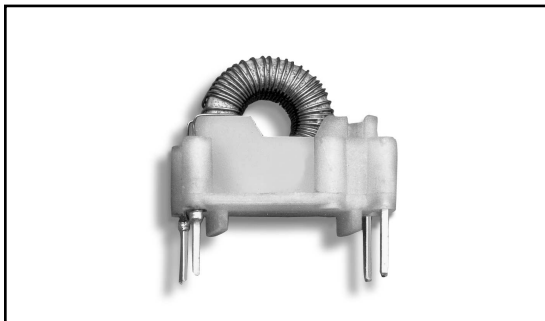


MODEL HM32 SERIES

Current Sense Transformers



FEATURES AND BENEFITS

- Cost effective design
- Complies with VDE safety requirements
- Excellent temperature characteristics
- Designed for switching supply applications
- Excellent linearity (current vs. output voltage)
- Custom designs available

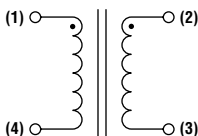
APPLICATIONS

- Switching power supply
- Designed to detect AC currents and to supply the output for control circuitry
- Appliance
- Medical equipment
- Office equipment
- Frequency ranges 50kHz and above

ELECTRICAL / ENVIRONMENTAL

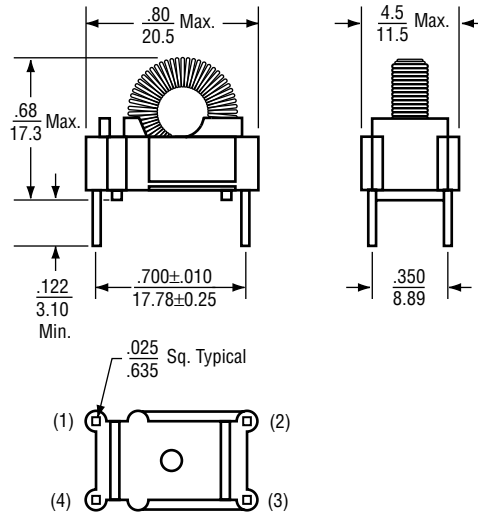
Insulation Resistance, Minimum	100 Megohms
Operating Temperature Range	-25°C to +105°C
Insulation System	Class B, 130°C

SCHEMATIC (FIGURE 1 & 2)



Specifications subject to change without notice.

FIGURE 1 (Inch/mm)



SPECIFICATIONS

Part Number	Turns N1:N2	Secondary Inductance @ 10 kHz mH Min.	Secondary DC Resistance Ω Max.	Figure	Primary Amps Max.	Core Style	Secondary V- μ S Max.
HM32-10010	1:10	0.2	0.2	1	3	Toroid	67
HM32-10050	1:50	5.0	0.7	1	3	Toroid	330
HM32-10100	1:100	20.0	1.4	1	3	Toroid	660
HM32-10200	1:200	85.0	4.5	1	3	Toroid	1,300
HM32-20050	1:50	5.0	0.7	2	3	Toroid	330
HM32-20100	1:100	20.0	1.4	2	3	Toroid	660
HM32-22100	2:100	20.0	1.4	2	3	Toroid	660
HM32-20200	1:200	85.0	4.5	2	3	Toroid	1,300

FIGURE 2 (Inch/mm)

