

MT3318-UYP22

Features

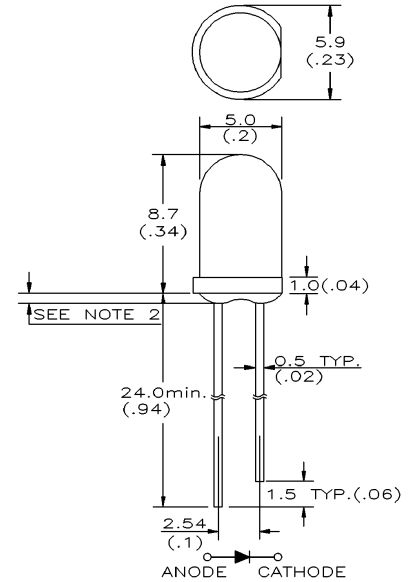
- Low drive current
- Choice of lens color
- Can be packaged on tape in a reel or in a box

Maximum Ratings (Ta=25°C)

Characteristic	Symbol	Max.	Unit
Forward Current	I _F	50	mA
Reverse Voltage	V _R	4	V
Power Dissipation	P _D	120.00	mW
Operating Temperature	T _{opr}	-25 ~ +85	°C
Storage Temperature	T _{stg}	-40 ~ +100	°C
Soldering Temperature	T _{sol}	260	°C
Soldering Time	-	for 5 sec. max	-

Opto-Electrical Characteristics (Ta=25°C)

Characteristic	Symbol	Test Condition	Min	Typ	Max	Unit
Forward Voltage	V _F	I _F =20mA	-	2.10	2.40	V
Reverse Current	I _R	V _R =4V	-	-	100	μA
Luminous Intensity	I _v	I _F =20mA	2200.00	4000.00	-	mcd
Viewing Angle	2θ ^{1/2}	-	-	25°	-	deg.
Peak Wavelength	λ _p	I _F =20mA	-	590	-	nm
Dominant Wavelength	λ _d	I _F =20mA	-	587	-	nm
Spectral Line Half Width	Δλ	I _F =20mA	-	17	-	nm

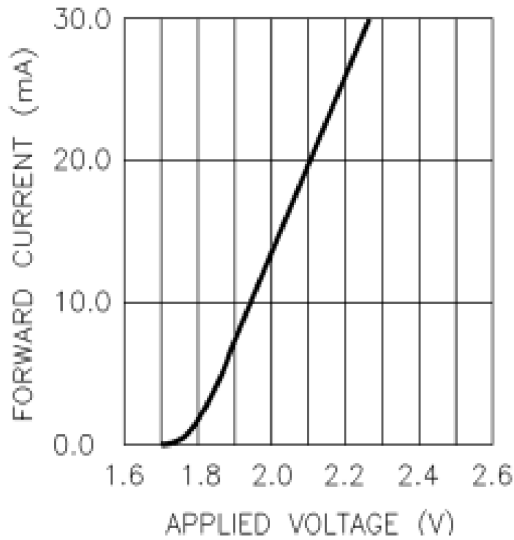


Notes :

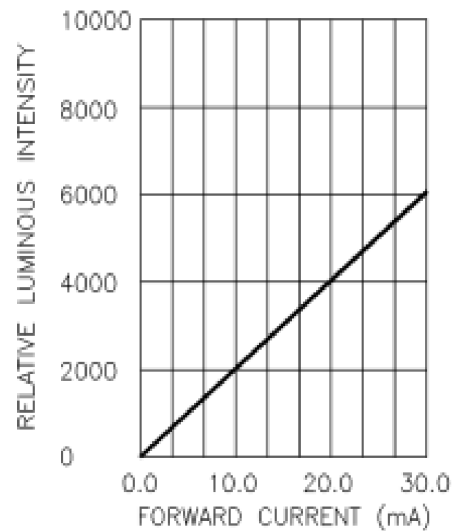
- All dimensions are in millimeters (inches).
- Protruded resin under flange is 1.0mm (.04") max.
- Tolerance is ±0.25mm (0.01") unless otherwise noted.

MT3318-UYP22 Graphs

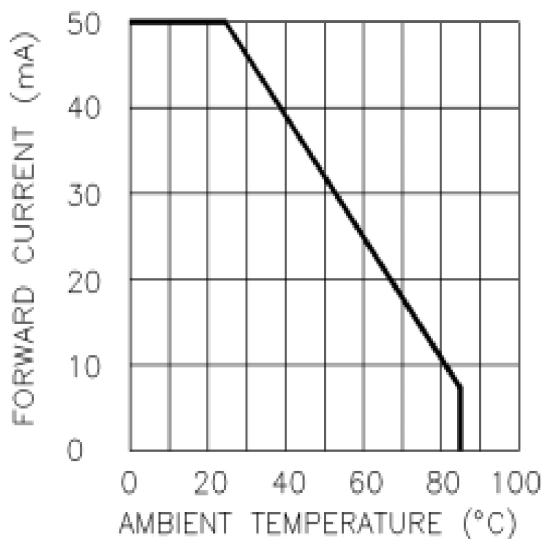
Typical Electrical / Optical Characteristics Curves :



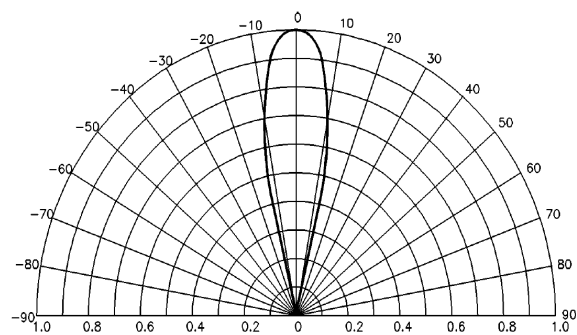
Forward Current vs. Forward Voltage



Forward Current vs. Relative Luminous Intensity



Ambient Temperature vs. Forward Current



Radiation Diagram