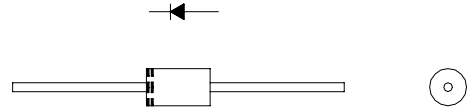


# DIODE Type : 30PUB60

OUTLINE DRAWING

**3A 600V 27ns**
**FEATURES**

- \* Ultra-Fast Recovery
- \* Low Forward Voltage drop
- \* Low Reverse Leakage Current
- \* High Surge Capability


**Maximum Ratings**

Approx Net Weight:1.21g

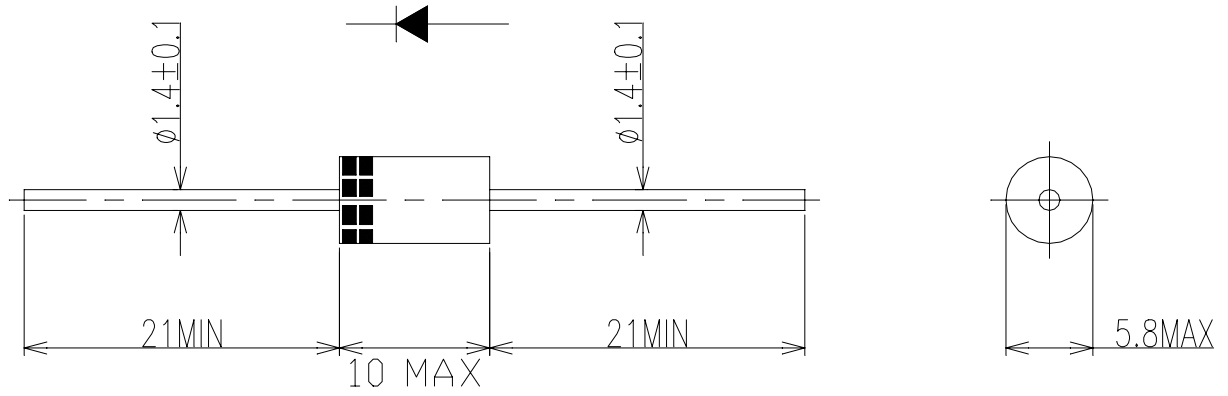
Rating	Symbol	30PUB60			Unit	
Repetitive Peak Reverse Voltage	$V_{RRM}$	600			V	
Average Rectified Output Current	$I_O$	50Hz Half Sine Wave Resistive Load	$T_a=43^{\circ}\text{C} *1$	1.6	A	
			$T_l=89^{\circ}\text{C}$ ( $T_l$ : Lead Temperature)	3.0		
RMS Forward Current	$I_{F(RMS)}$				4.71	A
Surge Forward Current	$I_{FSM}$	50Hz Half Sine Wave, 1 cycle, Non-repetitive			45	A
Operating Junction Temperature Range	$T_{jw}$	- 40 to + 150			$^{\circ}\text{C}$	
Storage Temperature Range	$T_{stg}$	- 40 to + 150			$^{\circ}\text{C}$	

**Electrical • Thermal Characteristics**

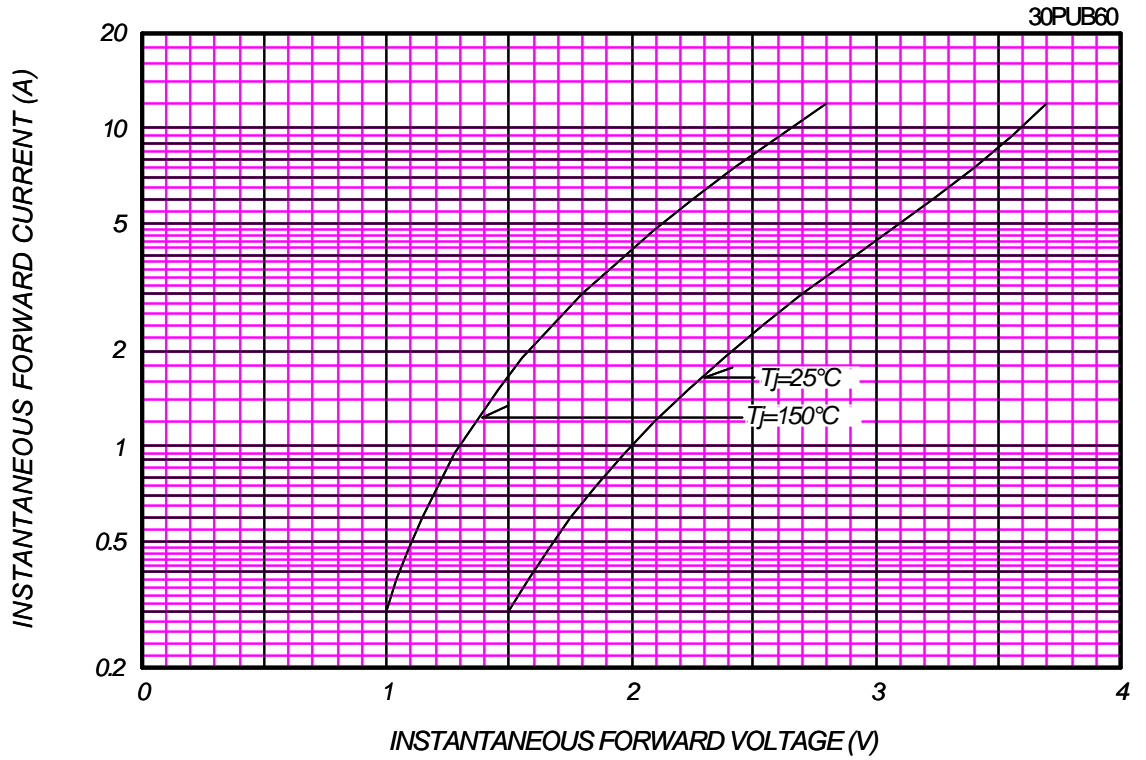
Characteristics	Symbol	Conditions	Min.	Typ.	Max.	Unit
Peak Reverse Current	$I_{RM}$	$T_j= 25^{\circ}\text{C}, V_{RM}= V_{RRM}$	-	-	20	$\mu\text{A}$
Peak Forward Voltage	$V_{FM}$	$T_j= 25^{\circ}\text{C}, I_{FM}= 3.0\text{A}$			2.7	V
Reverse Recovery Time	$t_{rr}$	$T_j= 25^{\circ}\text{C}, I_{FM}= 3.0\text{A} -di/dt=50\text{A}/\mu\text{s}$	-	-	27	ns
Thermal Resistance	$R_{th(j-a)}$	Junction to Ambient *1(With Fin)	-	-	34	$^{\circ}\text{C}/\text{W}$
	$R_{th(j-l)}$	Junction to Lead	-	-	8	

1: With Cu Fin ( 20x20x1, L-5mm, Both sides)

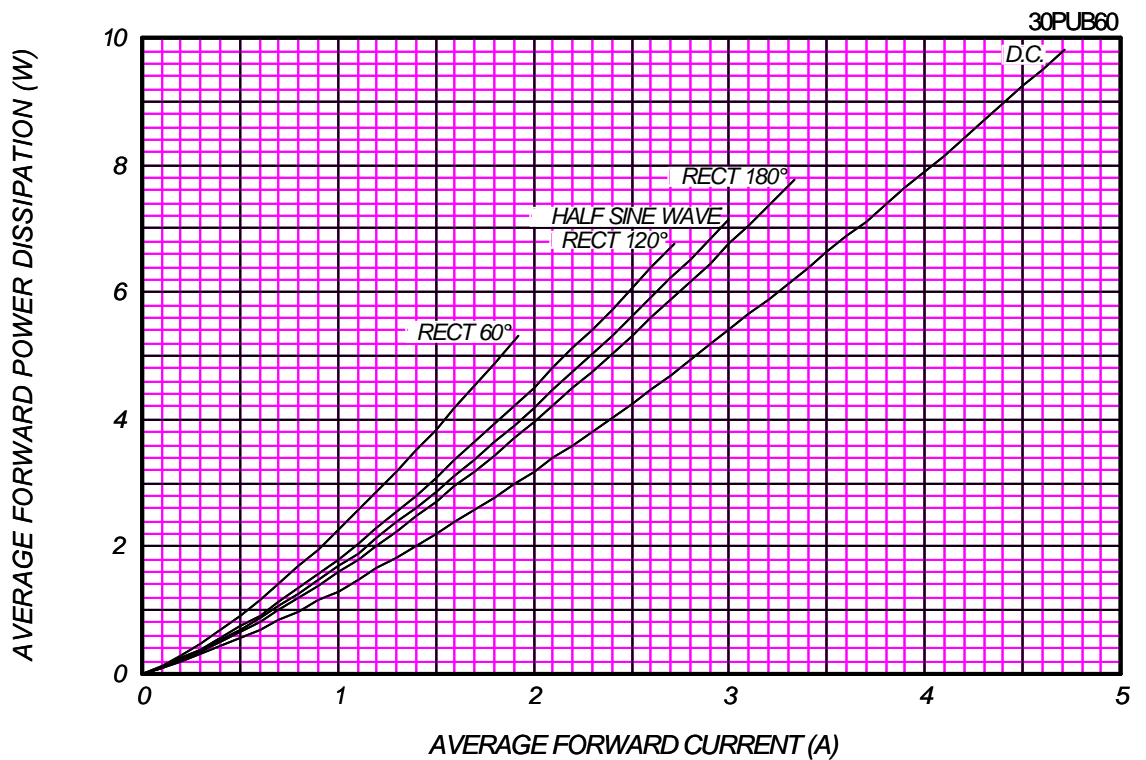
30PU\*\_ OUTLINE DRAWING (Dimensions in mm)



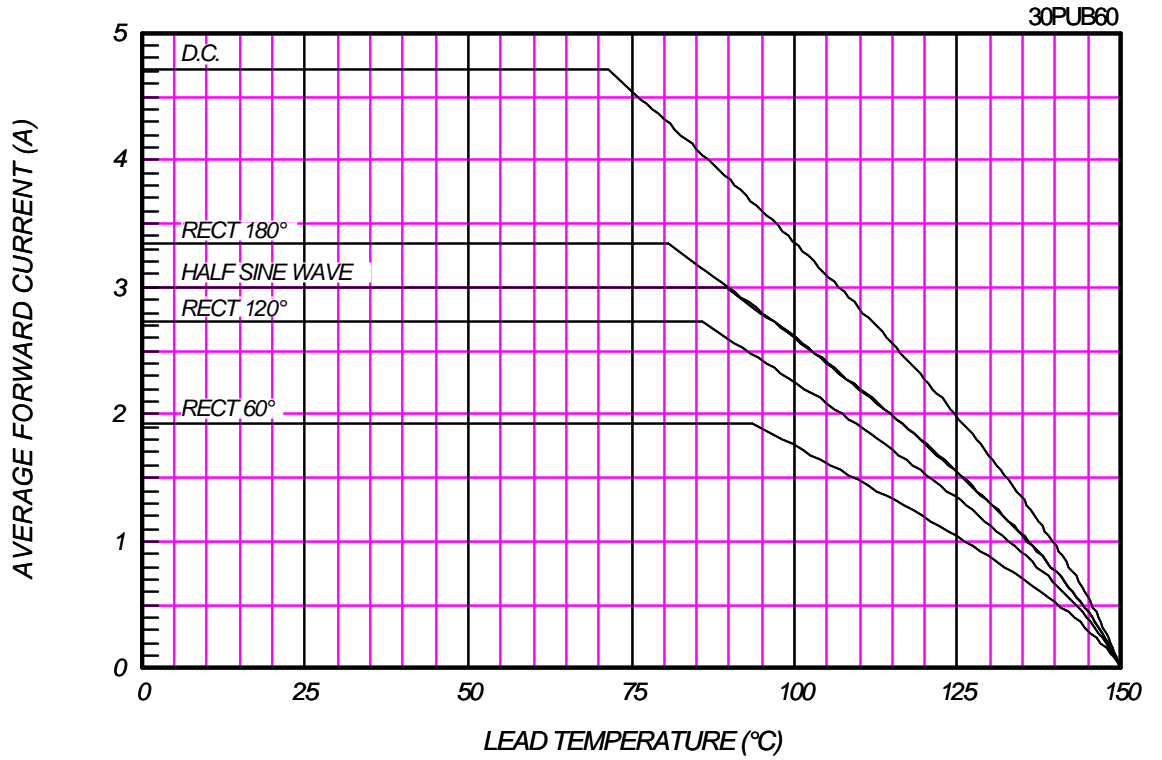
### FORWARD CURRENT VS. VOLTAGE



### AVERAGE FORWARD POWER DISSIPATION

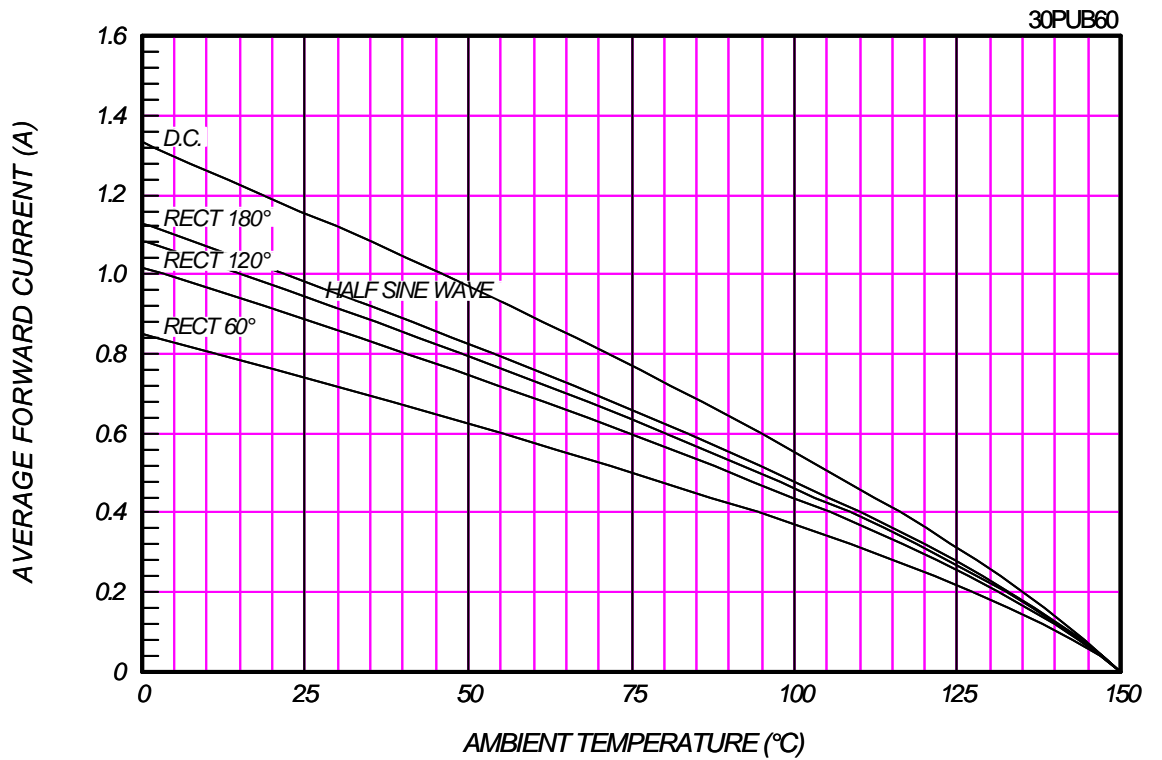


AVERAGE FORWARD CURRENT VS. LEAD TEMPERATURE



AVERAGE FORWARD CURRENT VS. AMBIENT TEMPERATURE

Without Fin or P.C. Board



# SURGE CURRENT RATINGS

f=50Hz, Half Sine Wave, Non-Repetitive, No Load

30PUB60

