




Features

- Fast and easy DSL installation
- Service interoperability & compatibility
- Optimal data rates
- Multiple "Home Run" connections
-  UL listed per 1863

3631 – VDSL POTS Splitter

Bourns 3631 VDSL POTS Splitter is designed to simplify the deployment of VDSL service at the customer premises. ANSI T1E1.4 compliant, the 3631 accepts the incoming VDSL service and filters off the voice (POTS) and ISDN channels and provides a connection for DSL data services (VDSL modem). In the event of power loss, the passive filter design allows for lifeline POTS service.

The 3631 occupies only a single space in 7600 style Network Interface Devices (NIDs) or the Bourns 7043 enclosures. Fitted with screw terminals and flying leads, the 3631 can be installed in minutes.

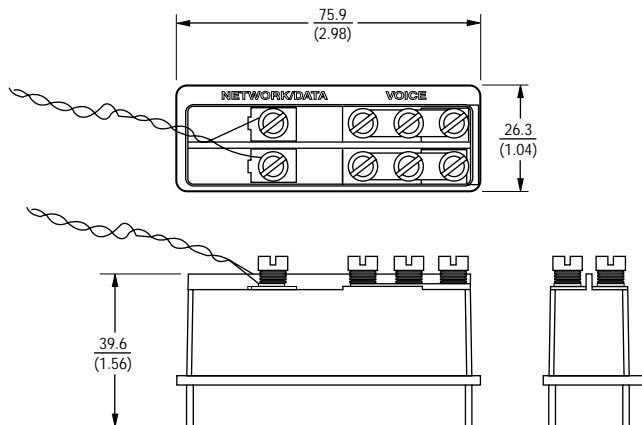
Characteristics

| | |
|--|---|
| DC Loop Current | 0-100 ma |
| DC Loop Voltage | 0 to -60 V |
| DC Resistance | ≤25 ohms |
| Insertion Loss | <1.5 dB (0.2 to 80 kHz) |
| Delay Distortion (Voice and ISDN Band) | ISDN: <200 μs |
| Return Loss | 6 dB ERL; 5 dB SRL-Low 3.0 dB SRL-High ISDN: >10 dB (0.2 to 80 kHz) |
| Longitudinal Balance, Two Port Technique | >58 dB @ 0.2 to 1 kHz >58 dB @ 3 kHz ISDN: >53 dB @ 0.2 to 80 kHz |
| Tip to Ring Capacitance (POTS Port) | <90 nf |

How To Order

..... Part #3631

Product Dimensions



Reliable Electronic Solutions

Asia-Pacific:
TEL +886- (0)2 25624117
FAX +886- (0)2 25624116

Europe:
TEL +41-41 7685555
FAX +41-41 7685510

North America:
TEL +1-909 781-5500
FAX +1-909 781-5700

bourns.com