

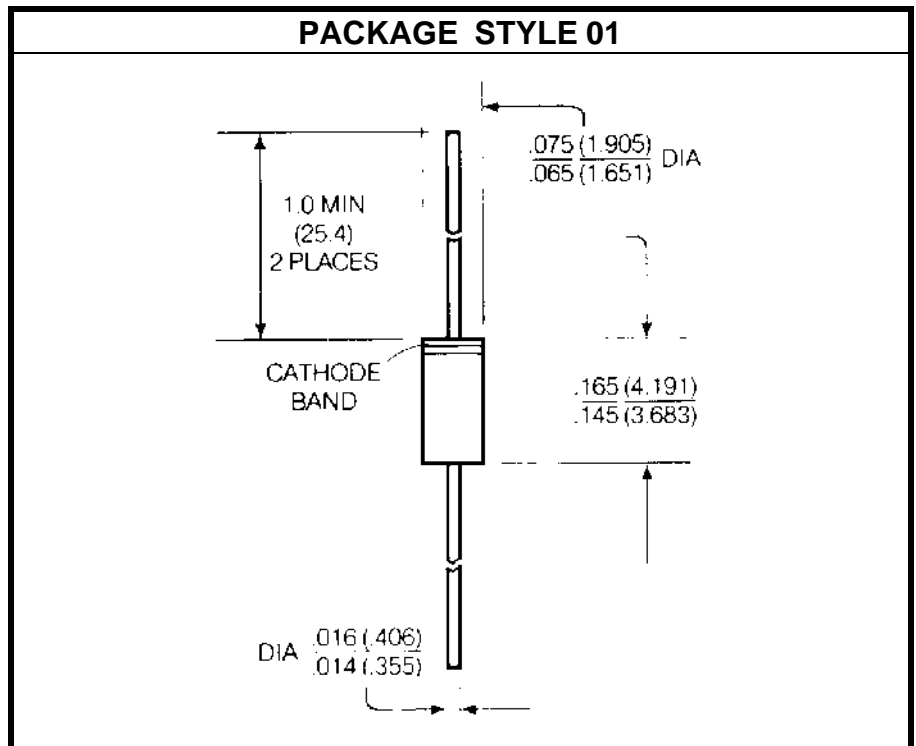
SCHOTTKY BARRIER DIODE

DESCRIPTION:

The **ASI 5082-2811** is a Silicon Small Signal Schottky Diode Designed for General Purpose UHF/VHF Detection and Pulse Applications. Color Band Indicates Cathode.

MAXIMUM RATINGS

I	20 mA
V	15 V
P_{DISS}	250 mW @ T _C = 25 °C
T_J	-65 °C to +200 °C
T_{STG}	-65 °C to +200 °C


CHARACTERISTICS T_C = 25 °C

SYMBOL	TEST CONDITIONS	MINIMUM	TYPICAL	MAXIMUM	UNITS
V _R	I _R = 10 μA	15			V
I _R	V _R = 8.0 V			100	mA
V _F	I _F = 1.0 mA			410	mV
	I _F = 20 mA			1000	
C _t	V _R = 0 V			1.2	pF
t	I _F = 20 mA			100	pS