

53262**SOLID STATE RELAY, 400VDC- 0.5A
OPTICALLY ISOLATED, SHORT CIRCUIT PROTECTED****Mii**

MICROCIRCUITS DIVISION

Features:

- SPST, Normally Open
- 1000VDC Optical Isolated Control Input
- Power MOSFET, Low On-state Resistance
- Built-in Short Circuit Protection
- Wide Operating Temperature Range
- Non-hermetic Package

Applications:

- COTS Military Applications
- Gun Turret Controls
- Motor or Solenoid Driver
- Displays/Lamps/Controls
- Industrial Automation

DESCRIPTION

The **53262** Solid State Relay (SSR) is designed for applications in environment where hermeticity is not required. Its solid state "contact" is resistant to damage from shock and vibration. It is also immune to contact related problems (contamination, arcing, bouncing, etc.) associated with the electromechanical relays. Functionally, the device operates as a single-pole single-throw (SPST), normally open (1 Form A) unidirectional high-side or low-side switch. Using a 500VDC rated N-channel MOSFET as the switching device, the 53262 SSR offers low on-state resistance for lowering the power dissipation, which allows operation over the temperature range of -40°C to $+85^{\circ}\text{C}$ with minimal heat sinking. A built-in current sense circuit offers short circuit protection by turning off the MOSFET switch and allowing no current flow into the load. After the 53262 SSR tripped due to a short circuit load, the output latches in the off-state until its control input recycles. The control input is isolated from the load circuit using an optocoupler. This isolation barrier will eliminate the system ground loop noise of the application. The optocoupler employs a dual high efficiency LED input allowing TTL/CMOS logic to drive the solid state relay. The SSR is actuated by applying an input forward current of 5 to 10 mA to the LED's. The 53262 SSR has no moving parts and is enclosed in a non-hermetic package.

ABSOLUTE MAXIMUM RATINGS (@ $T_C = 25^{\circ}\text{C}$ unless otherwise specified)

Output Voltage	400 VDC
Continuous Output Current @ $T_C = 85^{\circ}\text{C}$	1 A
Continuous Control Input Current	20 mA
Storage Temperature Range	-65°C to $+150^{\circ}\text{C}$
Operating Temperature Range	-40°C to $+85^{\circ}\text{C}$
Junction Temperature	150°C
Lead Solder Temperature	300°C for 10 s

RECOMMENDED OPERATING CONDITIONS

Parameter	Symbol	Min.	Max.	Units
Output Voltage	$V_{O(OFF)}$	—	400	VDC
Continuous Output Current	$I_{O(ON)}$	—	0.5	A
Control Input Current	I_F	5	10	mA
Operating Case Temperature	T_C	-40	85	$^{\circ}\text{C}$

Micropac Industries cannot assume any responsibility for any circuits shown or represent that they are free from patent infringement. Micropac reserves the right to make changes at any time in order to improve design and to supply the best product possible.

ELECTRICAL SPECIFICATIONS

$T_C = -40^{\circ}\text{C}$ to $+85^{\circ}\text{C}$, unless otherwise specified.

Parameter	Symbol	Min.	Typ.*	Max.	Units	Test Conditions	Notes
INPUT CHARACTERISTICS							
Input Forward Voltage	V_F	2.0	2.7	3.8	VDC	$I_F = 8\text{ mA}$	
Input Reverse Breakdown Voltage	V_R	6	20	—	VDC	$I_R = 10\text{ }\mu\text{A}$	7
OUTPUT CHARACTERISTICS							
Output On-Resistance	$R_{(ON)}$	—	0.8	1.2	Ω	$I_F = 8\text{ mA}$, $I_O = 0.5\text{ A}$ Pulse width = 10 ms Duty cycle $\leq 10\%$	6
Output Leakage Current	$I_{O(OFF)}$	—	—	250	μA	$V_F = 0.6\text{ VDC}$ $V_O = 400\text{ VDC}$	6
Turn-On Time	t_{ON}	—	—	8	ms	$I_F = 8\text{ mA}$ $I_O = 0.5\text{ A}$ Pulse width = 10 ms Duty cycle $\leq 10\%$	3 & Figure 2
Turn-Off time	t_{OFF}	—	—	2	ms		
Rise Time	t_R	—	—	6	ms		
Fall Time	t_F	—	—	1	ms		
Over-current Limit	I_{CL}	1.1	—	4.5	A	$V_O = 54\text{ VDC}$ $R_L = 12\text{ }\Omega$	4
Over-current Trip Time	t_{CL}	—	—	1	ms		
Peak Short Circuit Current	$I_{SC(PK)}$	—	15	20	A	Short-while-on @ $T_C = 25^{\circ}\text{C}$	5 & 7
Short Circuit Shut Down Time	t_{SC}	—	—	100	μs		
COMMON CHARACTERISTICS							
Input-Output Leakage Current	I_{I-O}	—	—	1	μA	$RH \leq 45\%$, $t = 5\text{ s}$ $V_{I-O} = 1000\text{ VDC}$ $T_C = 25^{\circ}\text{C}$	1 & 2
Thermal Resistance (junction-case)	θ_{JC}	—	18.5	—	$^{\circ}\text{C/W}$		7

* Typical values are at $T_C = 25^{\circ}\text{C}$

Notes:

1. Input pins shorted together and output pins shorted together.
2. Input-output potential applied momentarily, not a steady state operating condition.
3. Rise time is measured from 10% to 90% of load current (90% to 10% of V_O). Fall time is measured from 90% to 10% of load current (10% to 90% of V_O). Guaranteed but not tested.
4. The minimum over-current limit occurs at T_C of 85°C . The maximum over-current limit occurs at T_C of -40°C .
5. Use 0.25 ohm sense resistor for monitoring the peak short circuit current.
6. The user should apply the appropriate transient suppression technique to the output terminals of the relay when the loads are inductive enough to generate voltage spikes.
7. Guaranteed but not tested.

Micropac Industries cannot assume any responsibility for any circuits shown or represent that they are free from patent infringement. Micropac reserves the right to make changes at any time in order to improve design and to supply the best product possible.

Figure 1 – Block Diagram (Low-side Switch shown)

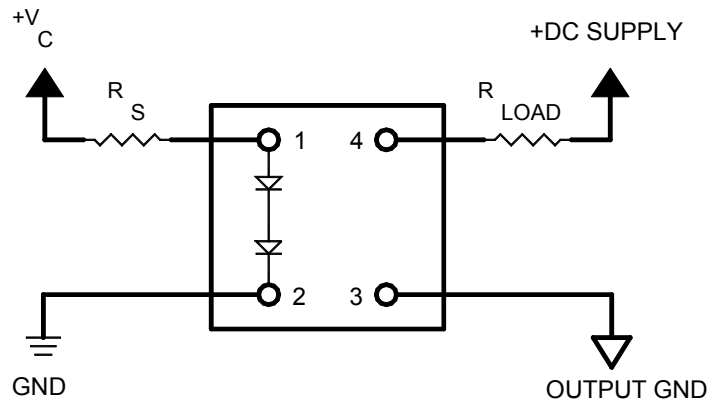
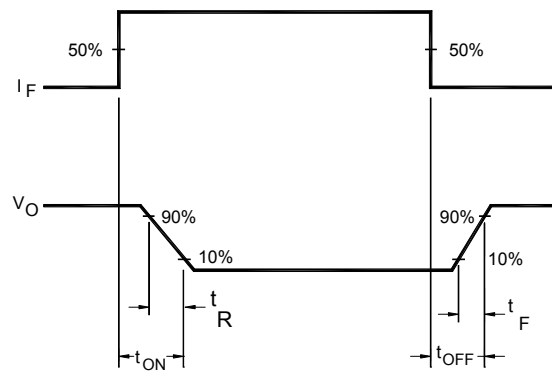
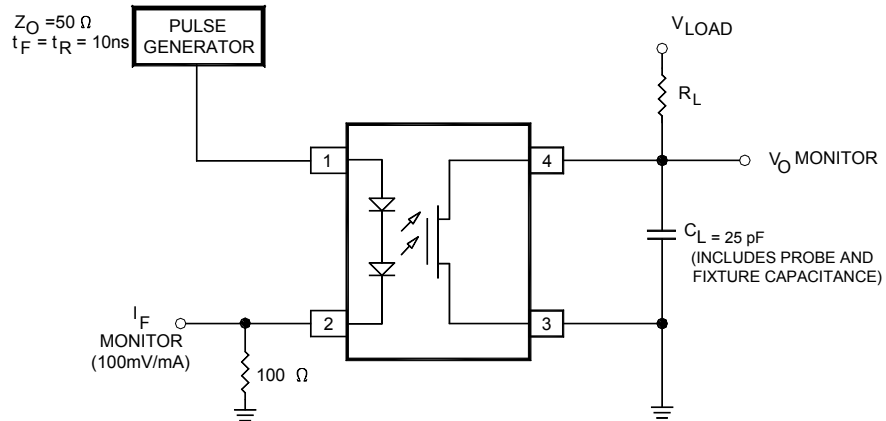


Figure 2 – Switching Test



Micropac Industries cannot assume any responsibility for any circuits shown or represent that they are free from patent infringement. Micropac reserves the right to make changes at any time in order to improve design and to supply the best product possible.

Figure 3 – Typical Peak Short Circuit Current (short-while-on)

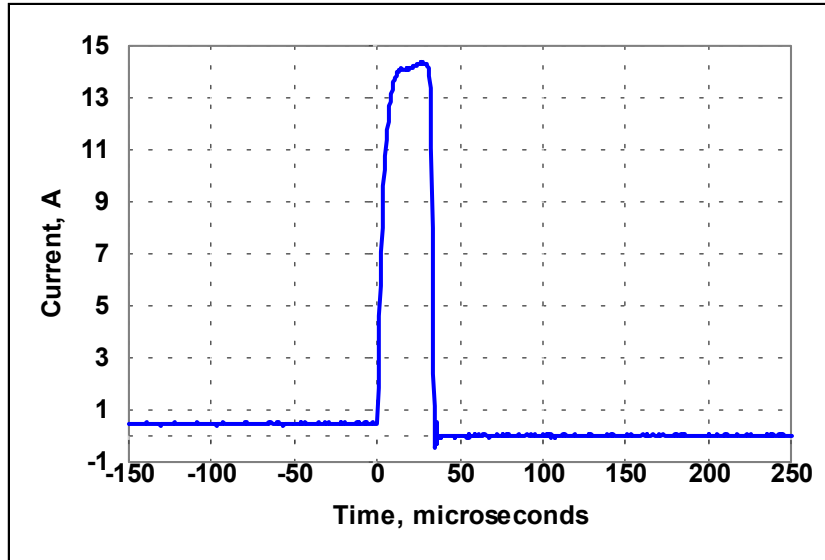


Figure 4 - Case Outline

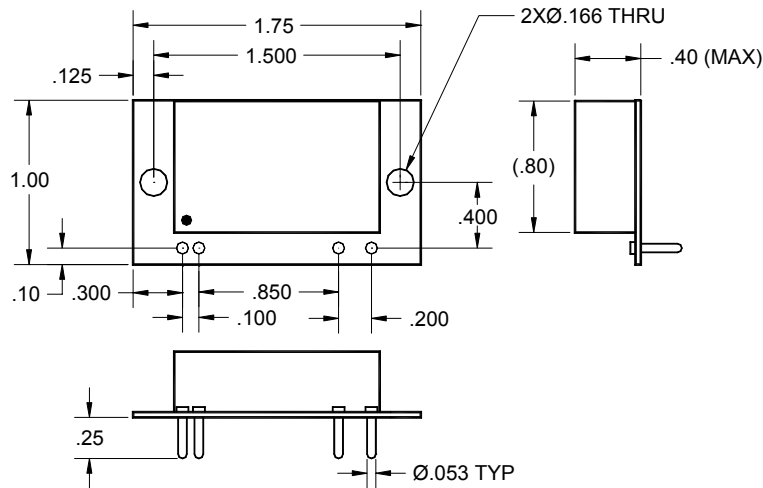


Figure 5 - Pin Assignment

PIN	SYMBOL	FUNCTION
1	+ IN	Control Input
2	- IN	Control Input Return
3	- OUT	Output Return
4	+ OUT	Output

Note: Dot indicates pin 1. Pins are numbered from left to right viewing from the top view.

Micropac Industries cannot assume any responsibility for any circuits shown or represent that they are free from patent infringement. Micropac reserves the right to make changes at any time in order to improve design and to supply the best product possible.