

## Low Profile Platform Cell



### FEATURES

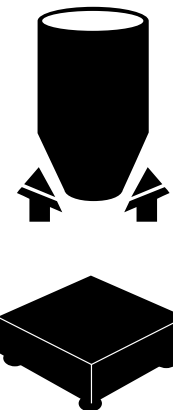
- Rated capacities of 10 to 200 pounds
- Stainless steel construction
- Moment-compensated design for minimal sensitivity to moments induced by off-center loading
- Exceeds NIST H-44 performance requirements
- *Sensorgage*™ sealed to IP67 standards
- *Cell Guard*™ Two Year Warranty
- Factory Mutual System Approved for Classes I, II, III; Divisions 1 and 2; Groups A through G. Also, Non-incendive ratings (No Barriers!).
- ISO 9001:2000 Certified manufacturing facilities

### APPLICATIONS

- Single-point platform scales
- Bench, counting and deli scales
- Checkweighing scales
- Hopper scales and netweighing
- Washdown

<b>RATED CAPACITIES</b>
lbs
10, 15, 25, 50, 100, 200

<b>FULL SCALE OUTPUT (FSO)</b>
lbs
2.0 mV/V +25% / -10%





ACCURACY CLASS	
	STANDARD
Max. No. Verification Intervals	--
Combined Error % FSO	$\leq 0.03$
Nonlinearity % FSO	$\leq 0.03$
Hysteresis % FSO	$\leq 0.02$
Creep Error % FSO	$\leq 0.03$ in 20 minutes
Temperature Effect on:	
• Zero % FSO/°F	$\leq 0.0015$
• Output % of Load/°F	$\leq 0.0008$

**PERFORMANCE SPECIFICATIONS**

**Non-Repeatability % FSO:**  $\leq 0.1$

**Zero Balance % FSO:**  $\leq 1.0$

**Insulation Resistance:**  $>1000$  Mohms at 50 VDC

**Compensated Temp. Range:** 14° to 104°F [-10° to 40°C]

**Operating Temp. Range:** 0° to 150°F [-18° to 65°C]

**Storage Temp. Range:** -60° to 185°F [-50° to 85°C]

**Input Resistance:** 380-450 Ohms

**Output Resistance:** 349-355 Ohms

**Recommended Excitation Voltage:** 10 Volts DC

**Maximum Excitation Voltage:** 15 Volts DC

**Safe Overload:** 150% of Rated Capacity

**Ultimate Overload:** 300% of Rate Capacity

**Sealing:** Meets IP67 Standards

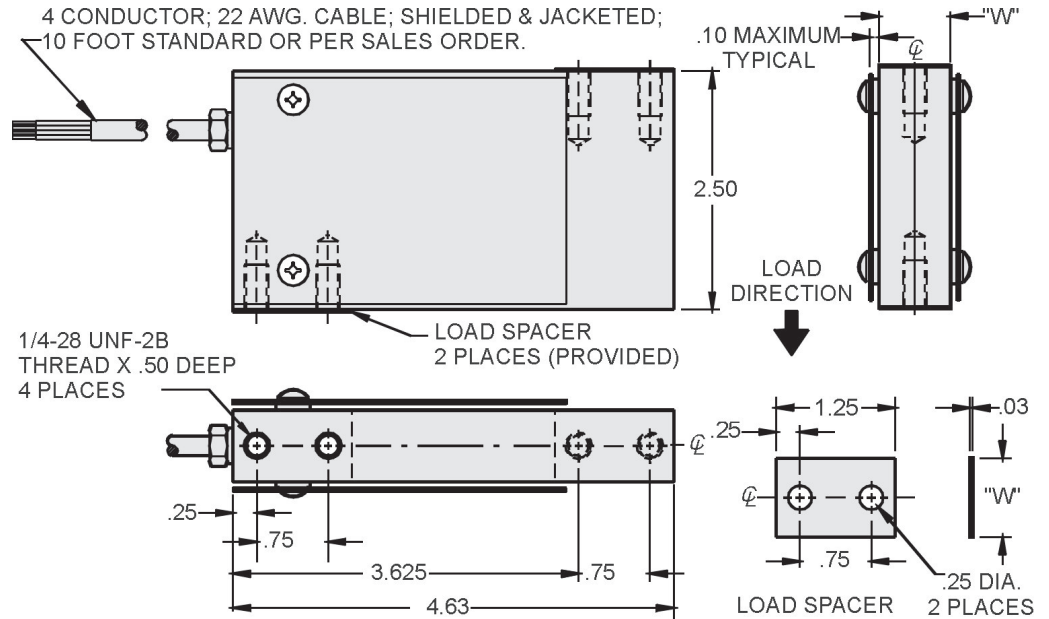
**Material:** 17-4 PH Stainless Steel

MOMENT COMPENSATION		
	10-25 lbs	50-200 lbs
• Moment Sensitivity (of applied load per inch)	$\leq 0.015$ %	$\leq 0.100$ %
• Maximum Moment (lbs-inches)	5 x Capacity	6 x Capacity
• Platform Size (inches)	8 x 10	12 x 12
	10-15 lbs	25-200 lbs
Deflection (inches $\pm 10\%$ ):	0.014	0.010

CAPACITY		
	W	WEIGHT
10 - 25	0.50	2.0
50 - 200	0.75	2.0

Dimensions are in inches. Capacities are in pounds. Deflection is  $\pm 10\%$ . Specifications are subject to change. Certified drawings are available.

**DIMENSIONAL OUTLINE DRAWING** in inches



**WIRING**

+ Excitation = Red; - Excitation = Black; + Output = Green; - Output = White

**VISHAY TRANSDUCERS (VT) - SALES OFFICES**

<p><b>VT Americas</b> Covina, CA PH: +1-800-722-0820 FAX: +1-626-332-3418 vt.us@vishaymg.com</p>	<p><b>VT Canada</b> Toronto PH: +1-416-251-2554 FAX: +1-416-251-2690 vt.can@vishaymg.com</p>	<p><b>VT UK</b> Basingstoke PH: +44-125-646-2131 FAX: +44-125-647-1441 vt.uk@vishaymg.com</p>	<p><b>VT Sweden</b> Karlskoga PH: +46-586-630-00 FAX: +46-586-630-99 vt.se@vishaymg.com</p>	<p><b>VT Germany</b> Heilbronn PH: +49-7131-3901-260 FAX: +49-7131-3901-2666 vt.de@vishaymg.com</p>	<p><b>VT France</b> Chartres PH: +33-2-37-33-31-20 FAX: +33-2-37-33-31-29 vt.fr@vishaymg.com</p>
<p><b>VT Spain</b> Madrid PH: +34-91-7218890 FAX: +34-91-7219056 vt.es@vishaymg.com</p>	<p><b>VT Finland</b> Jorvas PH: +358-(0)9-8194-220 FAX: +358-(0)9-8194-2211 vt.fi@vishaymg.com</p>	<p><b>VT Norway</b> Oslo PH: +47-22-21-40-70 FAX: +47-22-21-92-10 vt.no@vishaymg.com</p>	<p><b>VT Israel</b> Netanya PH: +972-9-863-8888 FAX: +972-9-863-8800 vt.il@vishaymg.com</p>	<p><b>VT China</b> Tianjin PH: +86-22-2835-3503 FAX: +86-22-2835-7261 vt.prc@vishaymg.com</p>	<p><b>VT Taiwan*</b> Taipei PH: +886-2-2696-0168 FAX: +886-2-2696-4965 vt.roc@vishaymg.com *Asia except China</p>