

MODEL 6370 SERIES

1-5/16" Diameter

Single Turn

Conductive Plastic

Precision Potentiometer /
Position Sensor



2

FEATURES

- Anodized Aluminum Housing
- Front and Rear Ball Bearings

MODEL STYLES

6371	1/4" Shaft, 3/8" Bushing
6373	1/4" Shaft, Servo

ELECTRICAL

Resistance Range, Ohms	1K to 300K
Standard Resistance Tolerance	±10%
Minimum Practical Resistance Tolerance	±5%
Independent Linearity*	±0.5%
Minimum Practical Independent Linearity	±0.1%
Input Voltage, Maximum	400Vdc not to exceed power rating
Power Rating, Watts	2.0 at 70°C derating to 0 at 125°C
Dielectric Strength	1,000V rms
Insulation Resistance, Minimum	1,000 Megohms
Output Smoothness, Maximum	0.1%
Actual Electrical Travel, Nominal	348°
Electrical Continuity Travel, Minimum	350°
End Voltage, Maximum	0.35% of Input Voltage
Tap Tolerance	0.5% of Input Voltage
Resolution	Essentially infinite
Temperature Coefficient**	-800 ppm/°C

Specifications subject to change without notice.

* Linearity is measured between 1% and 99% of input voltage.

** Special tempco available to ±100ppm/°C.

ENVIRONMENTAL (MIL-R-39023)

Operating Temperature Range	Static: -65°C to +125°C Dynamic: -40°C to +125°C
Temperature Cycling	5 cycles, -65°C to +125°C (10% ΔR)
Shock, 6ms Sawtooth	100G's (0.1ms discontinuity max.)
Vibration	15G's, 10 to 2,000 Hz (2% ΔR, 0.1ms discontinuity max.)
Moisture Resistance	Ten 24 hour cycles (10% ΔR)
High Temperature Exposure	1,000 hours at 125°C (0.5% ΔR)
Rotational Load Life	5 mil. shaft rev. +900 hrs. at rated wattage at 70°C (10% ΔR)

MECHANICAL

Total Mechanical Travel	360° continuous
Number of Gangs, Maximum	1
Weight, Nominal	2.0 oz.
Shaft Runout, T.I.R., Maximum	.001"
Pilot Diameter Runout, T.I.R., Maximum	.0015"
Lateral Runout, T.I.R., Maximum	.002"
Shaft Radial Play, Maximum	.002"
Start/Run Torque, Maximum	0.7 / 0.5 oz.-in.

STANDARD RESISTANCE VALUES, OHMS

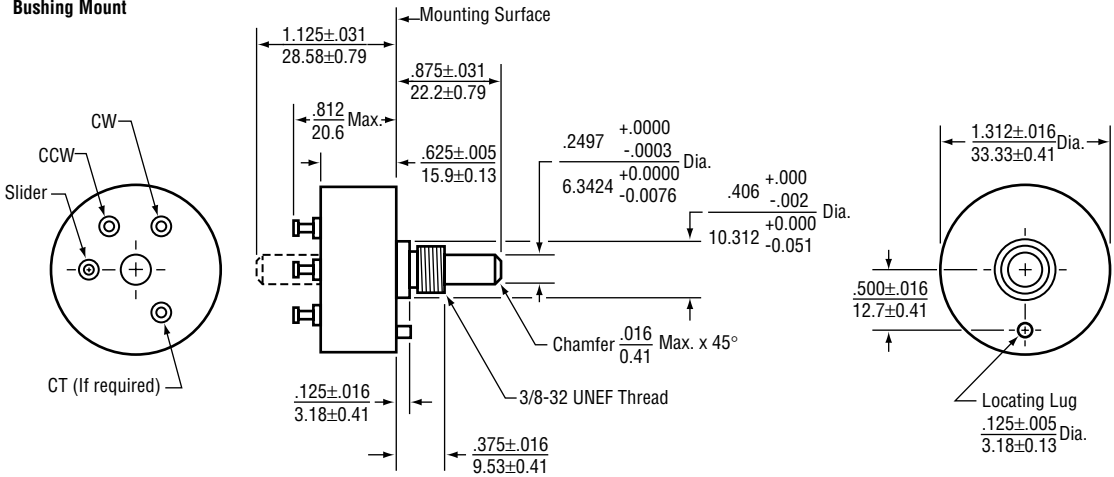
1K	2K	5K	10K	20K	50K
----	----	----	-----	-----	-----

METRIC CONVERSIONS

1 in.	25.4 mm	1 oz.-in.	0,007 N-m
1 oz.	28.4 gm	1 lb.-in.	0,113 N-m

OUTLINE DIMENSIONS (Inch/mm)

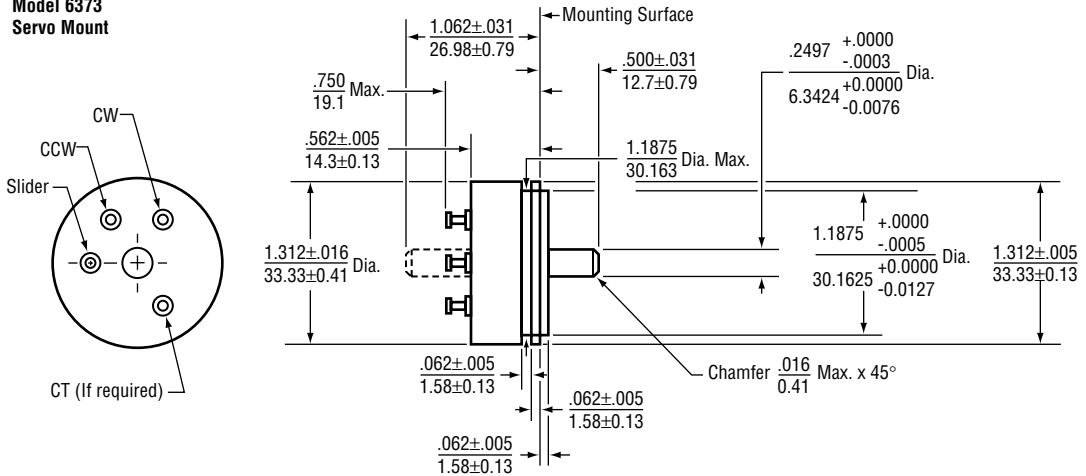
**Model 6671
Bushing Mount**



2

OUTLINE DIMENSIONS (Inch/mm)

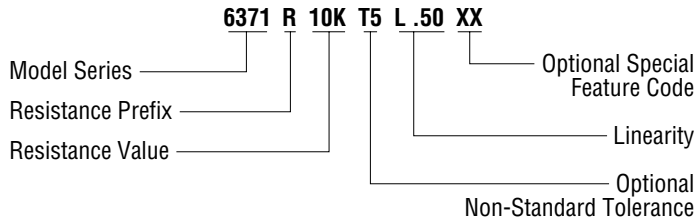
**Model 6373
Servo Mount**



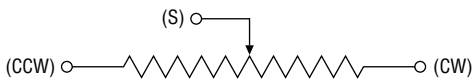
SPECIAL FEATURES

Center Tap	CT
Linearity Tape	LT
Flatted Shaft	FS
Slotted Shaft	SS
Rear Shaft	RS
Shaft Lock (6371 only)	SL

ORDERING INFORMATION



CIRCUIT DIAGRAM



NOTES

Metric equivalents, based on 1 inch = 25.4mm are rounded to the same number of significant figures as in the original English units and are provided for general information only.

Tolerances unless otherwise specified:
 Linear = $\pm .01$ inches
 (.25mm)
 Angular = ± 2 degrees

