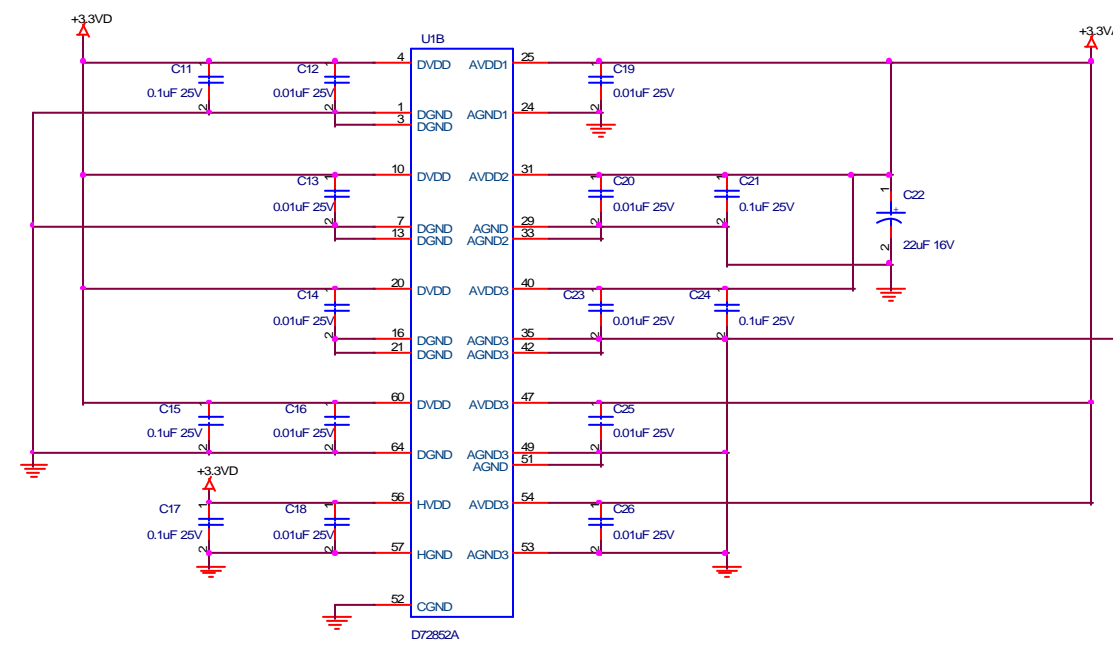
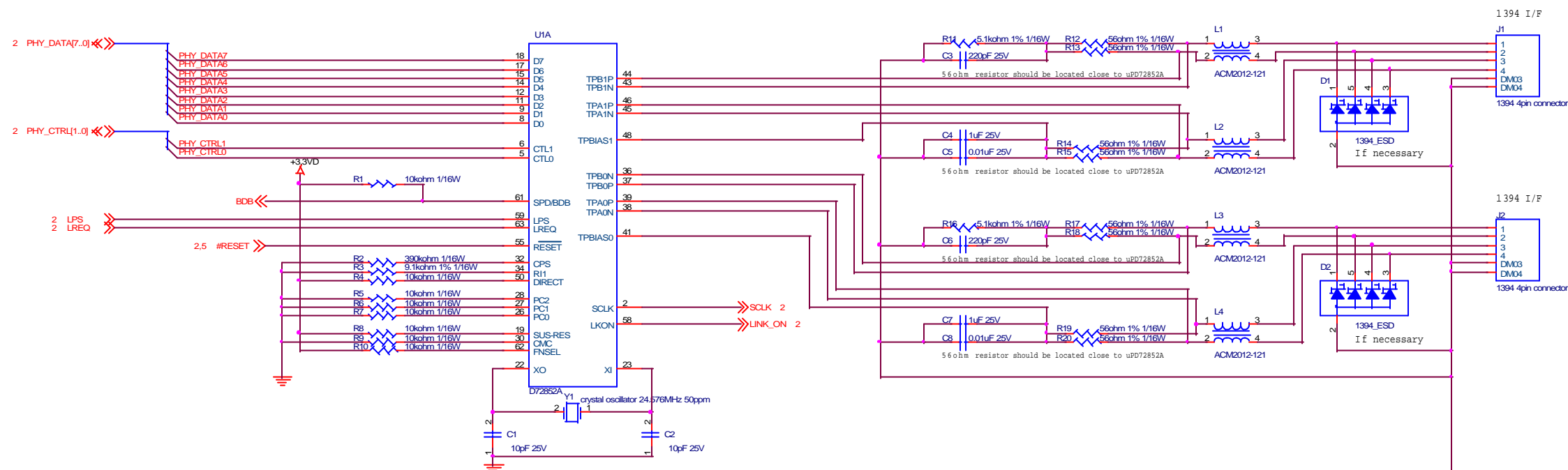
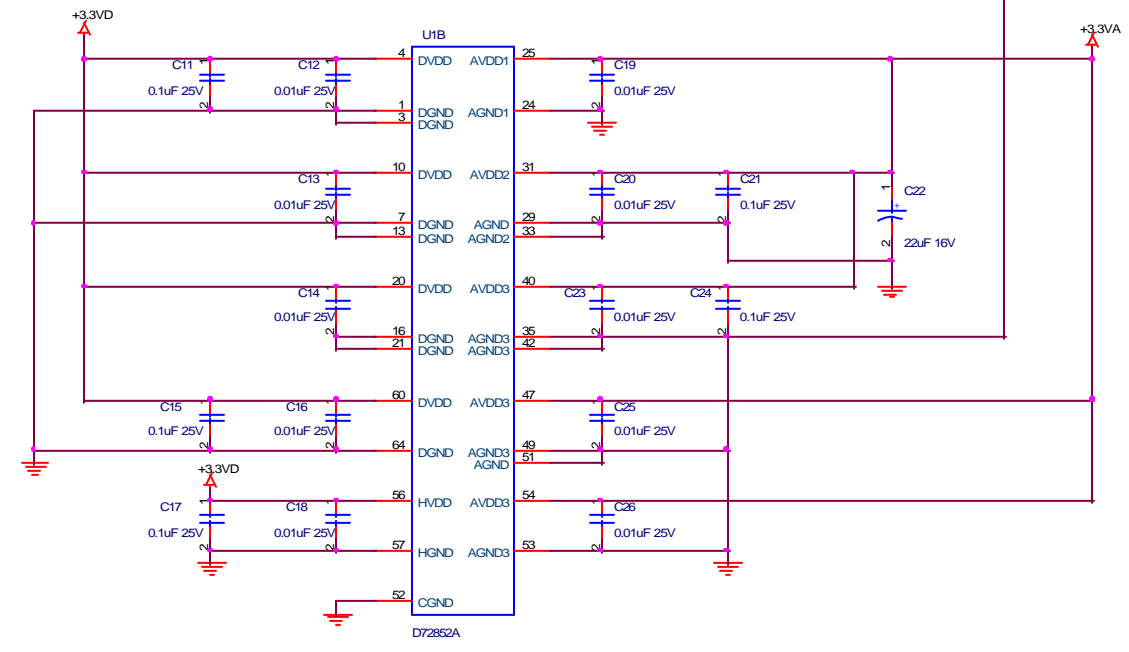
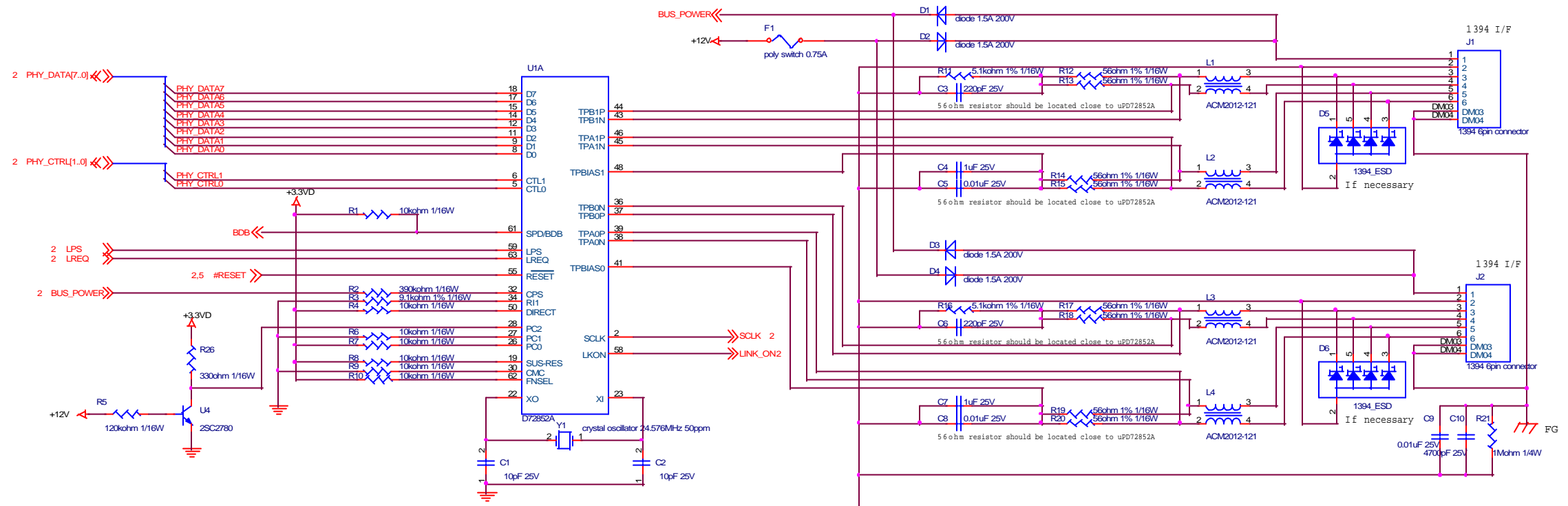


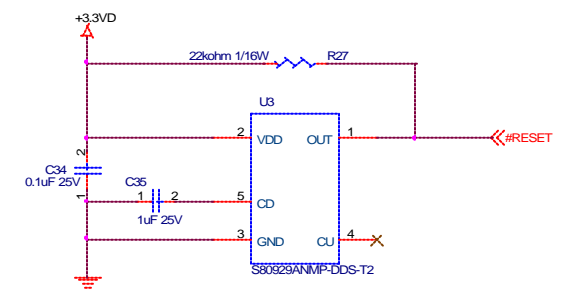
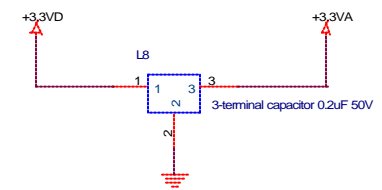
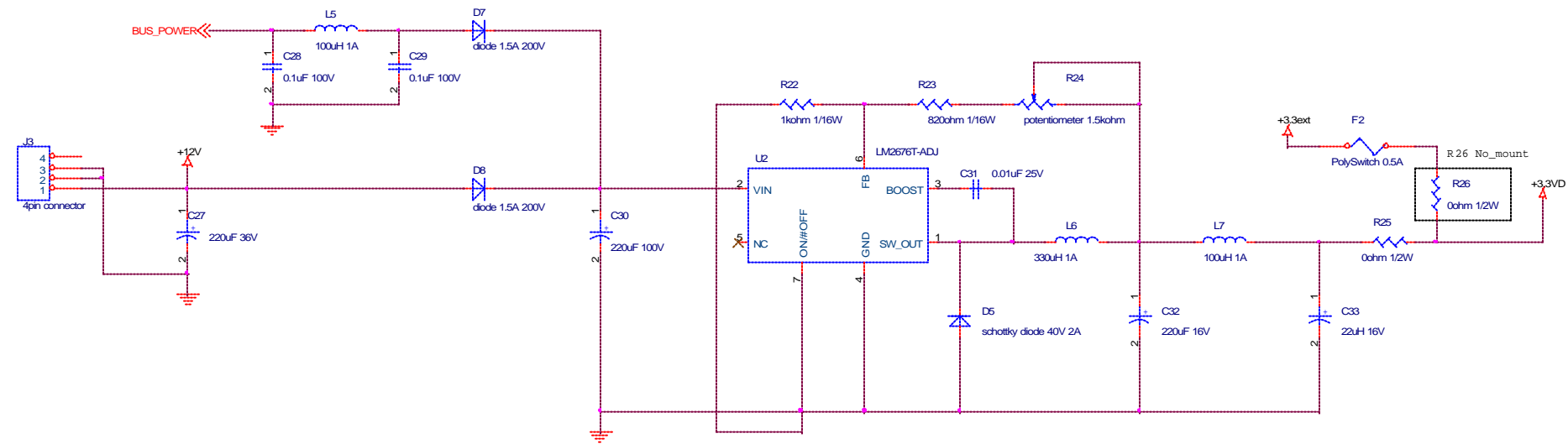
Title	D72852A 6pin Bus-Power Circuit	
Size	Document Number	Rev
A2	237-P30199-A	2.0
Date	Monday, March 03, 2003	Sheet 5 of 9



Title			D72852A 4pin Circuit		
Size	Document Number		Rev		
A2	237-P30199-A		2.0		
Date:	Monday, March 03, 2003	Sheet	5	of	9



Title		
D72852A 6pin Self and bus-Power Circuit		
Size	Document Number	Rev
A2	237-P30199-A	2.0
Date:	Monday, March 03, 2003	Sheet 5 of 9



Title		D72852A Power	
Size	Document Number	Rev	
A2	237-P90199-A	2.0	
Date:	Monday, March 03, 2003	Sheet	8 of 9