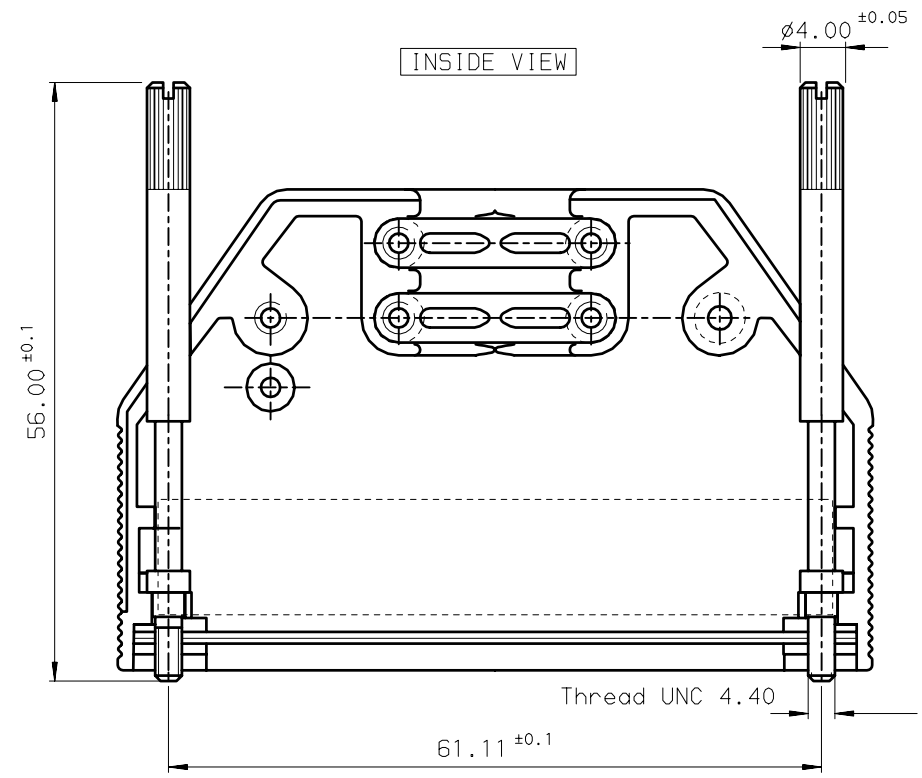
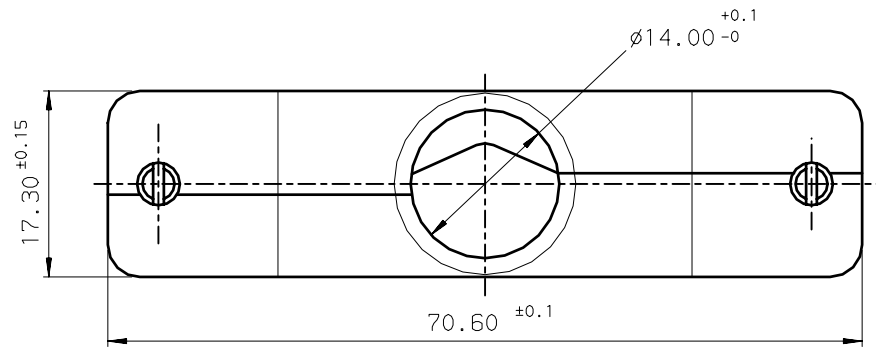
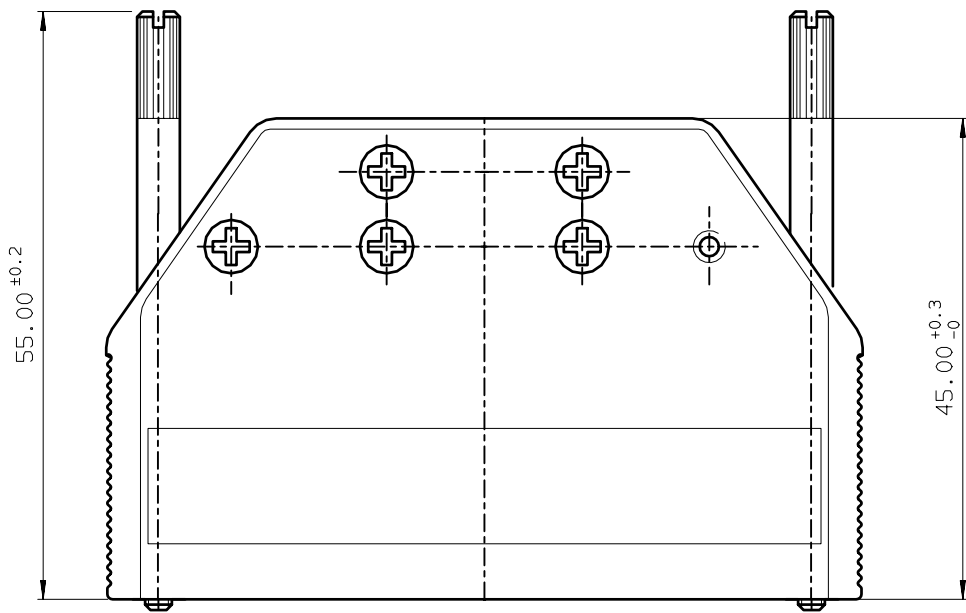


Tous droits strictement réservés. Reproduction ou communication a des tiers interdite sous quelque forme que ce soit sans autorisation écrite du propriétaire. Propriété de c FCI. Droits de reproduction FCI.



ALL rights strictly reserved. Reproduction or issue to third parties in any form whatever is not permitted without written authority from the proprietor. Property of FCI. Copyright FCI.



Core range		
PART NUMBER	8655MH5011	PACKAGING: per 1 piece

FOR STANDARD AND APPLICATION SPECIFIC PART NUMBER SEE SHEET 2.

European view

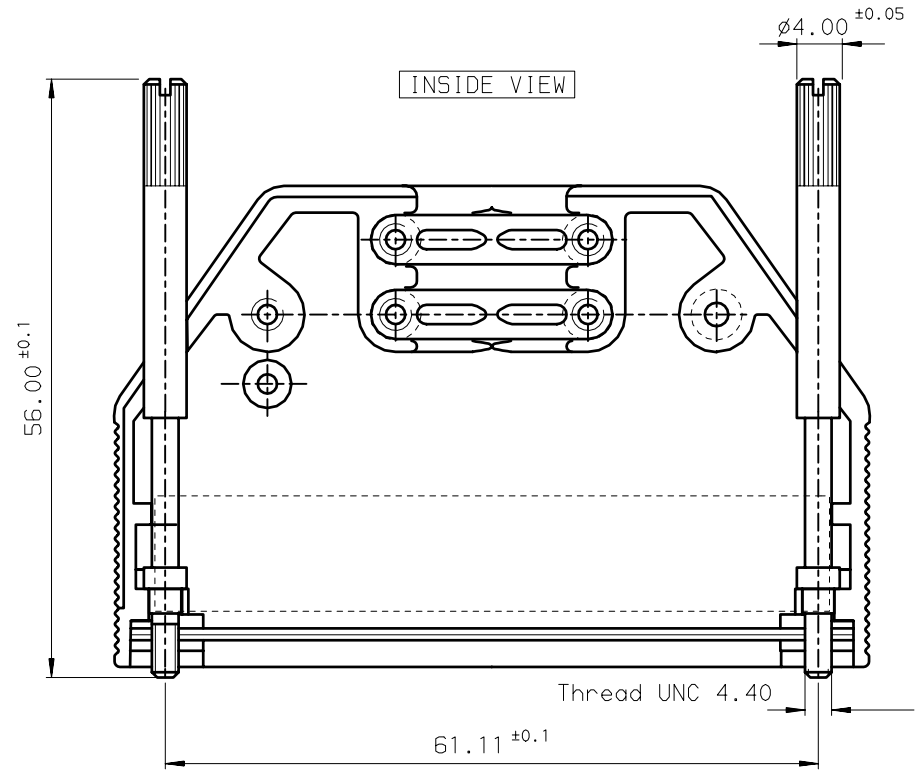
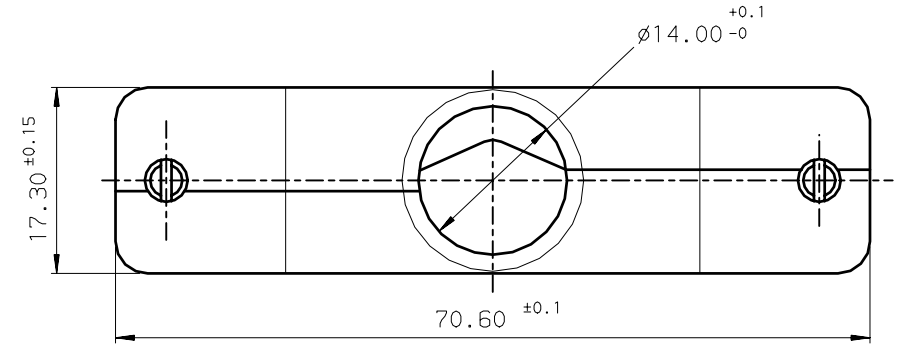
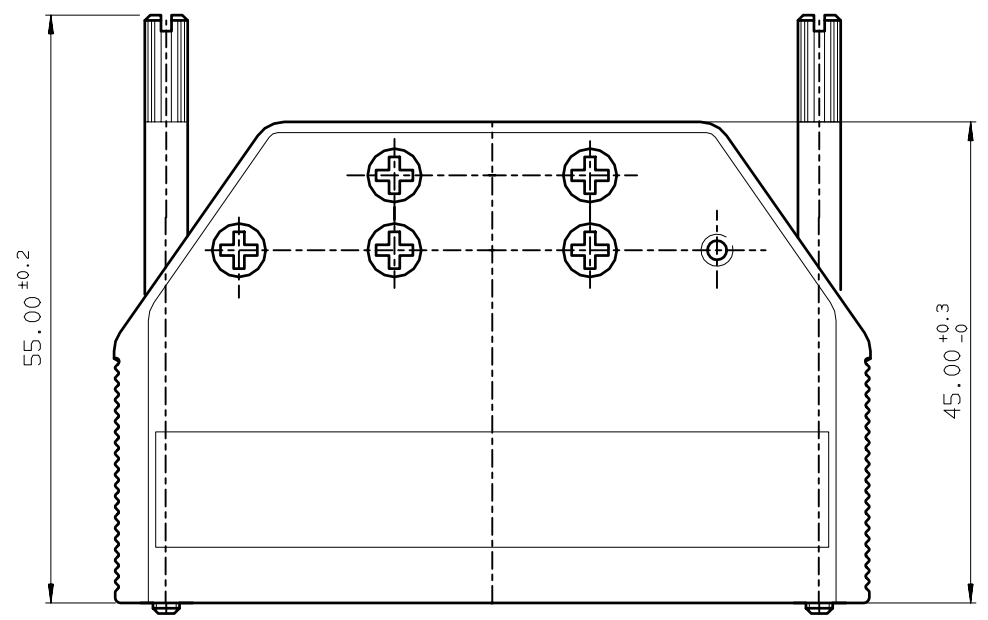
FCI	www.fciconnect.com		tolerance ISO 406 ISO 1101	projection 	mm
	Dr JARRY	05/03/92	ISO 1302	Product family D-SUB	size A3
Eng PESSON	05/03/92	Spec ref -		Scale 5	
Chr LEGARE	05/03/92	Material SEE NOTES	ECN	LS05-0084	
Appr LEGARE	05/03/92				
title SHIELDED HOODS - TWO PARTS HOODS (Shell size 50)			dwg no C01-8655-0629-1	Rev. E	
catalog no			- CUSTOMER COPY		sheet 1 of 2

ltr	ecn no	dr	date
C	-	BAR	15/04/03
D	LS05-0026	MPE	08/07/05
E	LS05-0084	MPE	29/09/05
-	-	-	-
-	-	-	-
-	-	-	-
-	-	-	-

Tous droits strictement réservés. Reproduction ou communication a des tiers interdite sous quelque forme que ce soit sans autorisation écrite du propriétaire. Propriété de c FCI. Droits de reproduction FCI.



ALL rights strictly reserved. Reproduction or issue to third parties in any form whatever is not permitted without written authority from the proprietor. Property of FCI. Copyright FCI.



Pull Parts		
PART NUMBER	8655MH5001	PACKAGING: per 40 pieces

ltr	ecn no	dr	date
C	-	BAR	15/04/03
D	L505-0026	MPE	08/07/05
E	L505-0084	MPE	29/09/05
-	-	-	-
-	-	-	-
-	-	-	-
-	-	-	-

	www.fciconnect.com		ISO 1302	<input checked="" type="checkbox"/> tolerance ISO 406 ISO 1101	projection 	mm
	Dr JARRY	05/03/92	Product family D-SUB	size A3	Scale 5	
Eng PESSON	05/03/92	Spec ref -	Material SEE NOTES	ECN L505-0084		
Chr LEGARE	05/03/92					
Appr LEGARE	05/03/92					
title SHIELDED HOODS -TWO PARTS HOODS (Shell size 50)				dwg no C01-8655-0629-2	Rev. E	
catalog no				- CUSTOMER COPY	sheet 2 of 2	