



AKD4642EN-B

AK4642EN Evaluation board Rev.0

GENERAL DESCRIPTION

AKD4642EN-B is an evaluation board for the AK4642EN, 16bit CODEC with built-in MIC/HP/SPK amplifier. The AKD4642EN can evaluate A/D converter and D/A converter separately in addition to loop-back mode (A/D → D/A). The AKD4642EN also has the digital audio interface and can achieve the interface with digital audio systems via opt-connector.

■ Ordering guide

AKD4642EN-B --- Evaluation board for AK4642EN
 (Cable for connecting with printer port of IBM-AT compatible PC and control software are packed with this. This control software does not operate on Windows NT.)

FUNCTION

- DIT/DIR with optical input/output
- 10pin Header for serial control mode

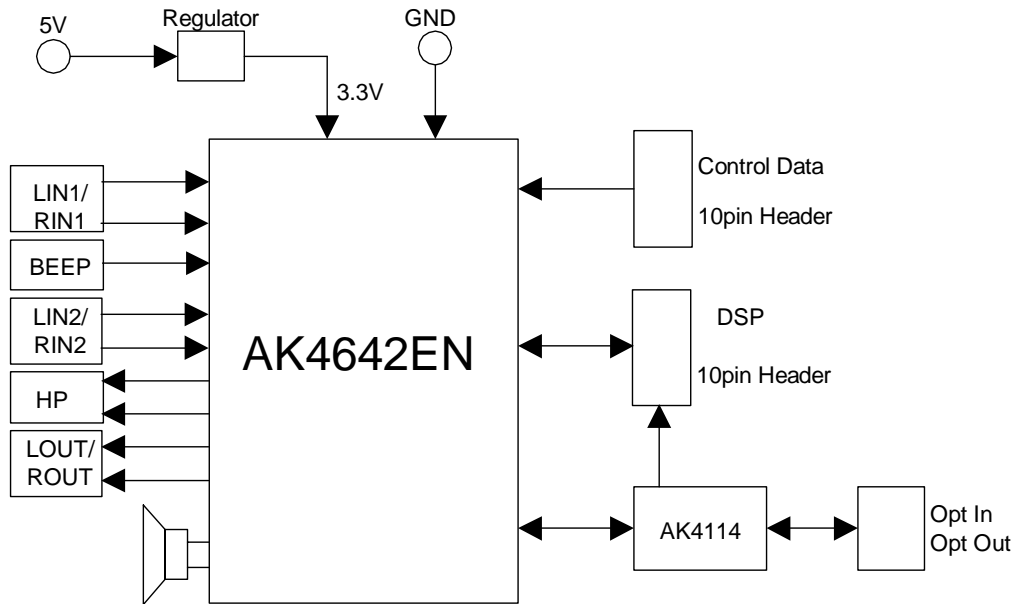


Figure 1. AKD4642EN Block Diagram

* Circuit diagram and PCB layout are attached at the end of this manual

1. Evaluation Board Manual

■ Operation sequence

1) Set up the power supply lines.

[VCC]	(red)	= 5.0V	: for logic
[AGND]	(black)	= 0V	: for analog ground
[DGND]	(black)	= 0V	: for logic ground

Each supply line should be distributed from the power supply unit.
3.3V is supplied to AK4642EN and AK4114 via the regulator.

2) Set up the evaluation mode, jumper pins. (See the followings.)

3) Power on.

The AK4642EN and AK4114 should be reset once bringing SW1 "L" upon power-up.

■ Evaluation mode

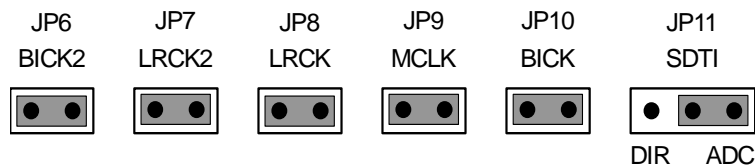
(1) Slave mode

- (1-1) Evaluation of Recording block (MIC, ADC) using DIT of AK4114
- (1-2) Evaluation of Playback block (HP, SPK, LOUT) using DIR of AK4114
- (1-3) Evaluation of Loop-back using AK4114 <Default>
- (1-4) All interface signals including master clock are fed externally.

The AK4114's audio interface format is fixed to I²S compatible.

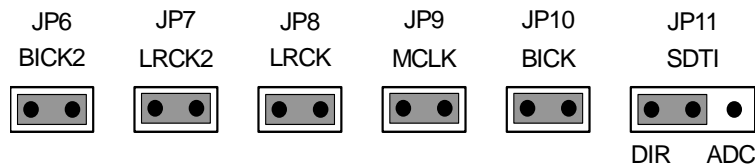
(1-1) Evaluation of Loop-back using DIT of AK4114

PORT2 (DIT) and X1 (X'tal) are used. DIT generates audio bi-phase signal from received data and which is output through optical connector (TOTX141). Nothing should be connected to PORT1 (DIR) and PORT3 (DSP).



(1-2) Evaluation of Playback block using DIR of AK4114

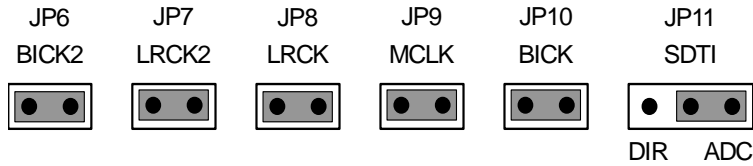
PORT1 (DIR) is used. Nothing should be connected to PORT3 (DSP).



The AK4114 operates at fs of 32kHz or more. If the fs is slower than 32kHz, any other evaluation mode without using DIR should be used.

(1-3) Evaluation of Loop-back using AK4114 <Default>

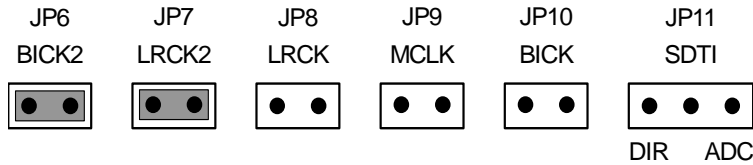
X'tal oscillator (X1) is used. Nothing should be connected to PORT1 (DIR) and PORT3 (DSP).



The AK4114 operates at fs of 32kHz or more. If the fs is slower than 32kHz, any other evaluation mode without using DIR should be used.

(1-4) All interface signals including master clock are fed externally.

PORT3 (DSP) is used. Nothing should be connected to PORT1 (DIR).



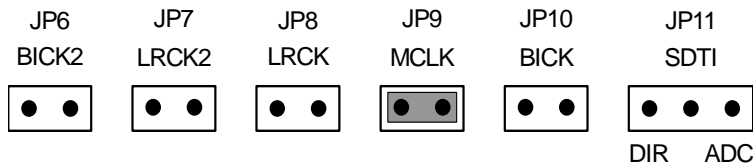
(2) Master mode

(2-1) Evaluation of Recording block using MCLK of AK4114

(2-2) Master clock is fed externally

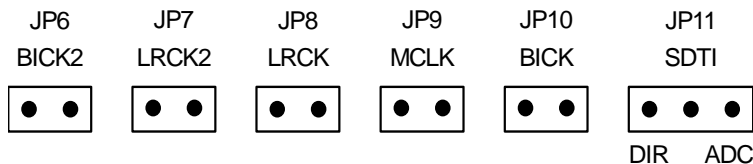
(2-1) Evaluation of Loop-back using MCLK of AK4114

X'tal oscillator (X1) is used. Nothing should be connected to PORT1 (DIR) and PORT3 (DSP). It can be evaluated at internal loop-back mode (LOOP bit = "1"). It is possible to evaluate at various sampling frequencies using built-in AK4642EN's PLL.



(2-2) Master clock is fed externally

PORT3 (DSP) is used and MCLK is fed from PORT3. Nothing should be connected to PORT1 (DIR). It can be evaluated at internal loop-back mode (LOOP bit = "1"). It is possible to evaluate at various sampling frequencies using built-in AK4642EN's PLL.



■ Other jumper pins set up

1. JP1 (GND) : Connection between AGND and DGND.
OPEN : Both grounds are separated on board.
SHORT : Both grounds are connected on board. <Default>
2. JP2,JP3 : Connection of mic power.
OPEN: Mic power is not connected.
SHORT : Mic power is connected. <Default>
3. JP4,JP5 : Select speaker type.
OPEN : Piezo speaker
SHORT : Dynamic speaker <Default>
4. JP12 : Select speaker type.
Dynamic: Dynamic speaker <Default>
Piezo: Piezo speaker

■ The function of the toggle SW

Upper-side is “H” and lower side is “L”.

[SW1] (PDN): Power down of AK4642EN and AK4114. Keep “H” during normal operation.

■ Indication for LED

[LED1] (ERF): Monitor INT0 pin of the AK4114. LED turns on when some error has occurred to AK4114.

■ **Serial Control**

The AK4642EN can be controlled via the printer port (parallel port) of IBM-AT compatible PC. Connect PORT4 (CTRL) with PC by 10 wire flat cable packed with the AKD4642EN. When I²C bus mode is used, PORT4 should be directly connected to the I²C bus on the system.

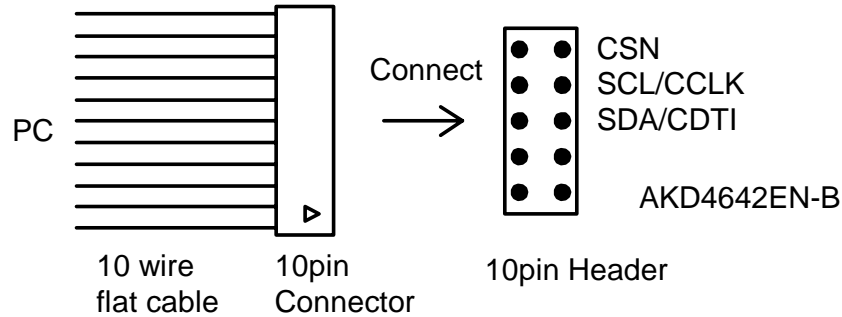
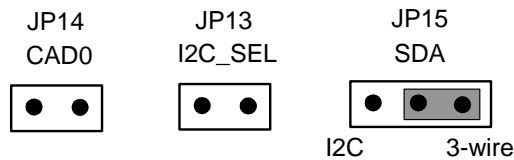


Figure 2. Connect of 10 wire flat cable

(1) 3-wire Serial Control Mode <Default>

The jumper pins should be set to the following.



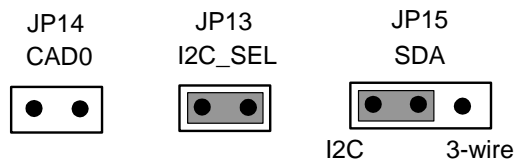
(2) I²C-bus Control Mode

The jumper pins should be set to the following.

(2-1) In case of using CAD0=0 (device address bits).



(2-2) In case of using CAD0=1 (device address bits).



■ Analog Input/Output Circuits

(1) Input Circuits

1. BEEP Input Circuit

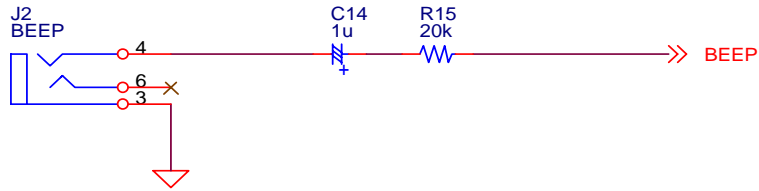


Figure 3. BEEP Input Circuit

2. LINE1 Input Circuit

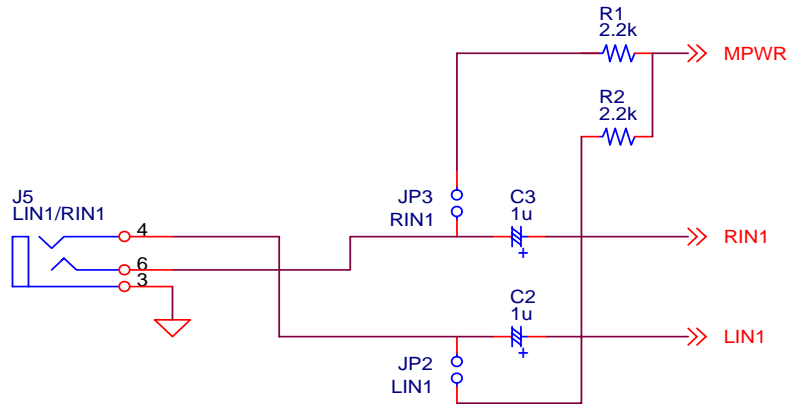


Figure 4. LINE1 Input Circuit

3. LINE2 Input Circuit

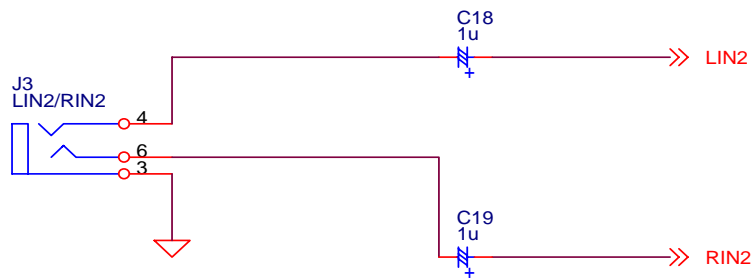


Figure 5. LINE2 Input Circuit

(2) Output Circuits

1. Headphone-amp Output Circuit

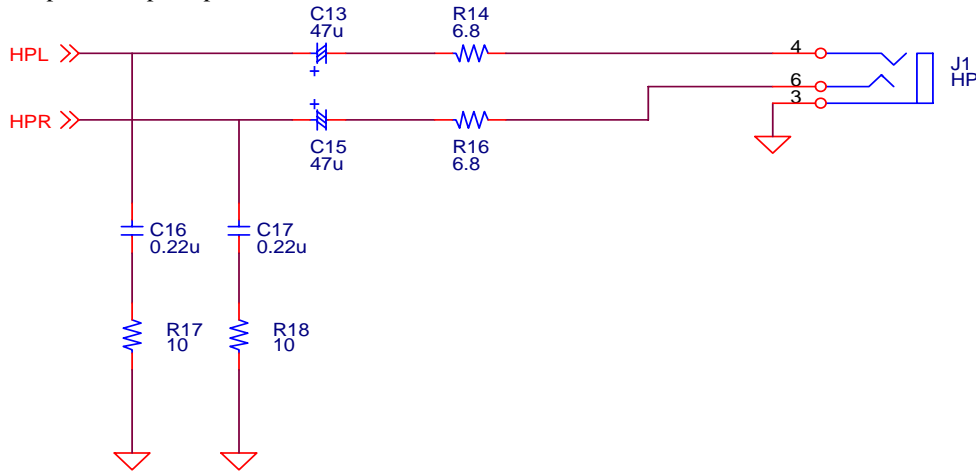


Figure 6. Headphone-amp Output Circuit

2. STEREO LINE Output Circuit

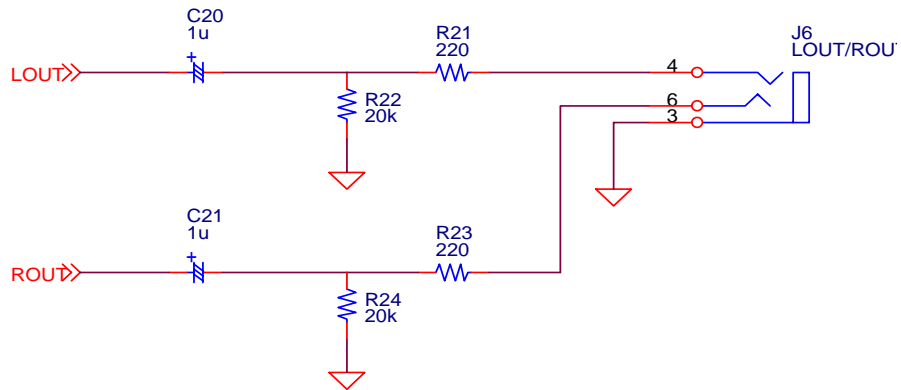


Figure 7. STEREO LINE Output Circuit

3. SPEAKER Output Circuit

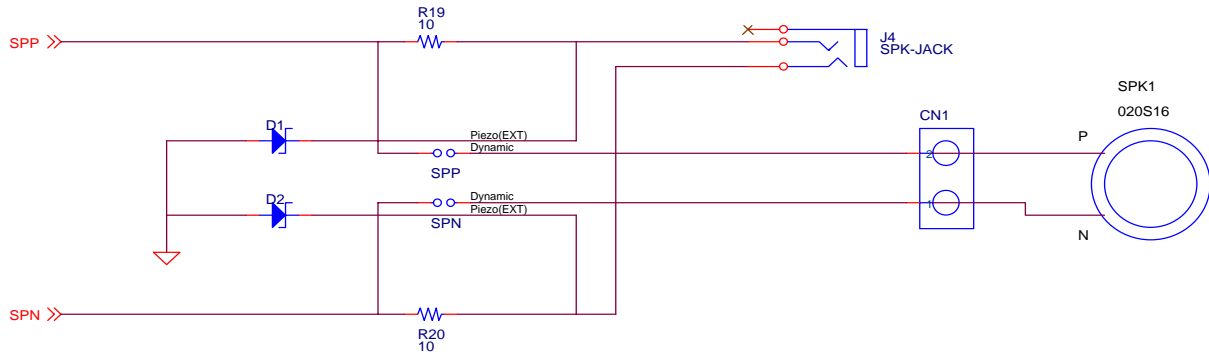


Figure 8. SPEAKER Output Circuit

* AKM assumes no responsibility for the trouble when using the above circuit examples.

2. Control Software Manual

■ Set-up of evaluation board and control software

1. Set up the AKD4642EN-B according to previous term.
2. Connect IBM-AT compatible PC with AKD4642EN-B by 10-line type flat cable (packed with AKD4642EN-B).
Take care of the direction of 10pin header. (Please install the driver in the CD-ROM when this control software is used on Windows 2000/XP. Please refer "Installation Manual of Control Software Driver by AKM device control software". In case of Windows95/98/ME, this installation is not needed. This control software does not operate on Windows NT.)
3. Insert the CD-ROM labeled "AKD4642EN-B Evaluation Kit" into the CD-ROM drive.
4. Access the CD-ROM drive and double-click the icon of "akd4642.exe" to set up the control program.
5. Then please evaluate according to the follows.

■ Operation flow

Keep the following flow.

1. Set up the control program according to explanation above.
2. Click "Port Reset" button.
3. Click "Write default" button

■ Explanation of each buttons

1. [Port Reset] : Set up the USB interface board (AKDUSBIF-A) when using the board.
2. [Write default] : Initialize the register of the AK4642EN.
3. [All Write] : Write all registers that is currently displayed.
4. [Function1] : Dialog to write data by keyboard operation.
5. [Function2] : Dialog to write data by keyboard operation.
6. [Function3] : The sequence of register setting can be set and executed.
7. [Function4] : The sequence that is created on [Function3] can be assigned to buttons and executed.
8. [Function5]: The register setting that is created by [SAVE] function on main window can be assigned to buttons and executed.
9. [SAVE] : Save the current register setting.
10. [OPEN] : Write the saved values to all register.
11. [Write] : Dialog to write data by mouse operation.

■ Indication of data

Input data is indicated on the register map. Red letter indicates "H" or "1" and blue one indicates "L" or "0". Blank is the part that is not defined in the datasheet.

■ Explanation of each dialog

1. [Write Dialog]: Dialog to write data by mouse operation

There are dialogs corresponding to each register.

Click the [Write] button corresponding to each register to set up the dialog. If you check the check box, data becomes "H" or "1". If not, "L" or "0".

If you want to write the input data to the AK4642EN, click [OK] button. If not, click [Cancel] button.

2. [Function1 Dialog] : Dialog to write data by keyboard operation

Address Box: Input registers address in 2 figures of hexadecimal.

Data Box: Input registers data in 2 figures of hexadecimal.

If you want to write the input data to the AK4642EN, click [OK] button. If not, click [Cancel] button.

3. [Function2 Dialog] : Dialog to evaluate DATT

There are dialogs corresponding to register of 09h, 0Ah, 0Ch, and 0Dh.

Address Box: Input registers address in 2 figures of hexadecimal.

Start Data Box: Input starts data in 2 figures of hexadecimal.

End Data Box: Input end data in 2 figures of hexadecimal.

Interval Box: Data is written to the AK4642EN by this interval.

Step Box: Data changes by this step.

Mode Select Box:

If you check this check box, data reaches end data, and returns to start data.

[Example] Start Data = 00, End Data = 09

Data flow: 00 01 02 03 04 05 06 07 08 09 09 08 07 06 05 04 03 02 01 00

If you do not check this check box, data reaches end data, but does not return to start data.

[Example] Start Data = 00, End Data = 09

Data flow: 00 01 02 03 04 05 06 07 08 09

If you want to write the input data to the AK4642EN, click [OK] button. If not, click [Cancel] button.

4. [SAVE] and [OPEN]

4-1. [SAVE]

All of current register setting values displayed on the main window are saved to the file. The extension of file name is "akr".

<Operation flow>

- (1) Click [SAVE] Button.
- (2) Set the file name and click [SAVE] Button. The extension of file name is "akr".

4-2. [OPEN]

The register setting values saved by [SAVE] are written to the AK4642EN. The file type is the same as [SAVE].

<Operation flow>

- (1) Click [OPEN] Button.
- (2) Select the file (*.akr) and Click [OPEN] Button.

5. [Function3 Dialog]

The sequence of register setting can be set and executed.

(1) Click [F3] Button.

(2) Set the control sequence.

Set the address, Data and Interval time. Set "-1" to the address of the step where the sequence should be paused.

(3) Click [START] button. Then this sequence is executed.

The sequence is paused at the step of Interval="-1". Click [START] button, the sequence restarts from the paused step.

This sequence can be saved and opened by [SAVE] and [OPEN] button on the Function3 window. The extension of file name is "aks".

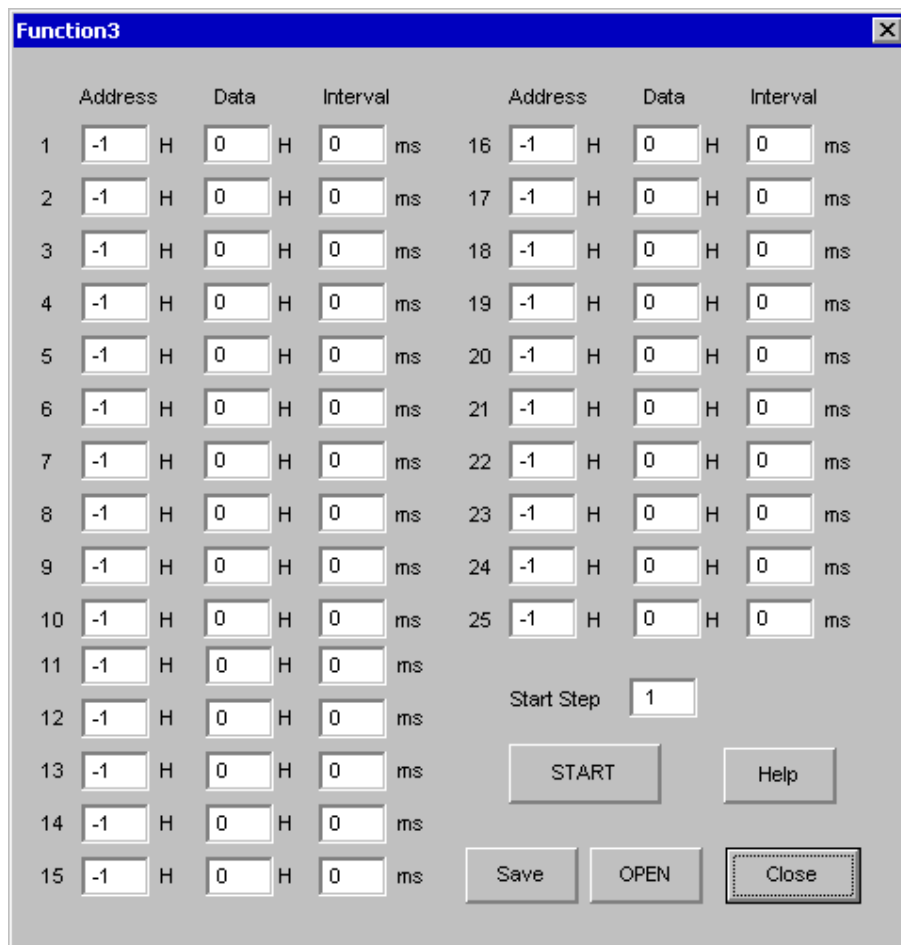


Figure 9. Window of [F3]

6. [Function4 Dialog]

The sequence file (*.aks) saved by [Function3] can be listed up to 10 files, assigned to buttons and then executed. When [F4] button is clicked, the window as shown in Figure 10 opens.

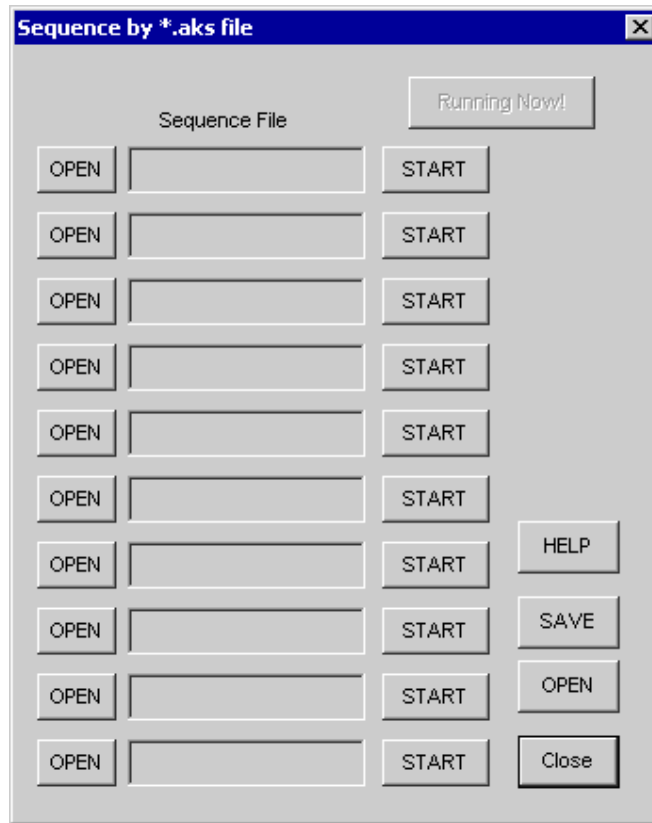


Figure 10. [F4] window

6-1. [OPEN] buttons on left side and [START] buttons

(1) Click [OPEN] button and select the sequence file (*.aks) saved by [Function3].

The sequence file name is displayed as shown in Figure 11. (In case that the selected sequence file name is "DAC_Stereo_ON.aks")

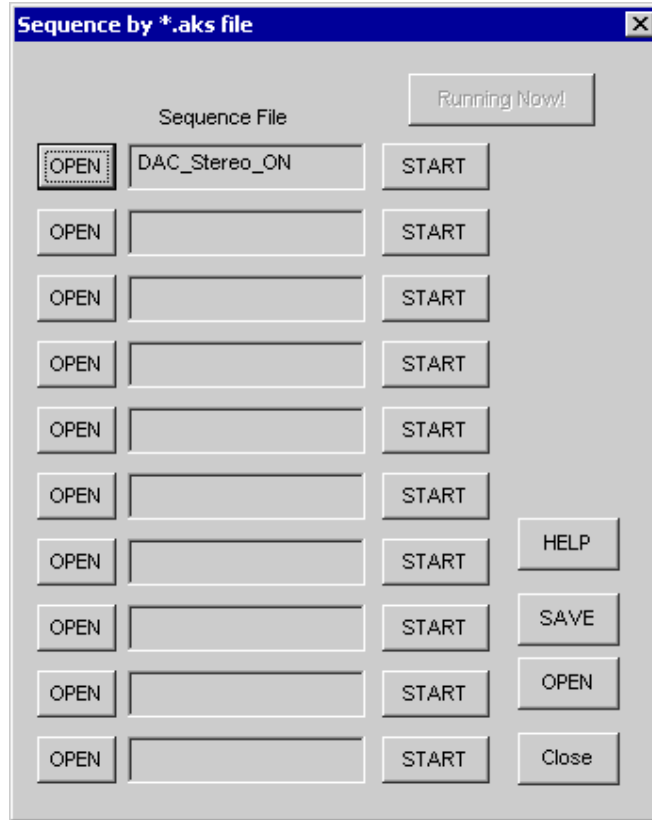


Figure 11. [F4] window(2)

(2) Click [START] button, then the sequence is executed.

6-2. [SAVE] and [OPEN] buttons on right side

[SAVE] : The name assign of sequence file displayed on [Function4] window can be saved to the file. The file name is "*.ak4".

[OPEN] : The name assign of sequence file(*.ak4) saved by [SAVE] is loaded.

6-3. Note

(1) This function doesn't support the pause function of sequence function.

(2) All files used by [SAVE] and [OPEN] function on right side need to be in the same folder.

(3) When the sequence is changed in [Function3], the sequence file (*.aks) should be loaded again in order to reflect the change.

7. [Function5 Dialog]

The register setting file(*.akr) saved by [SAVE] function on main window can be listed up to 10 files, assigned to buttons and then executed. When [F5] button is clicked, the window as shown in Figure 12 opens.

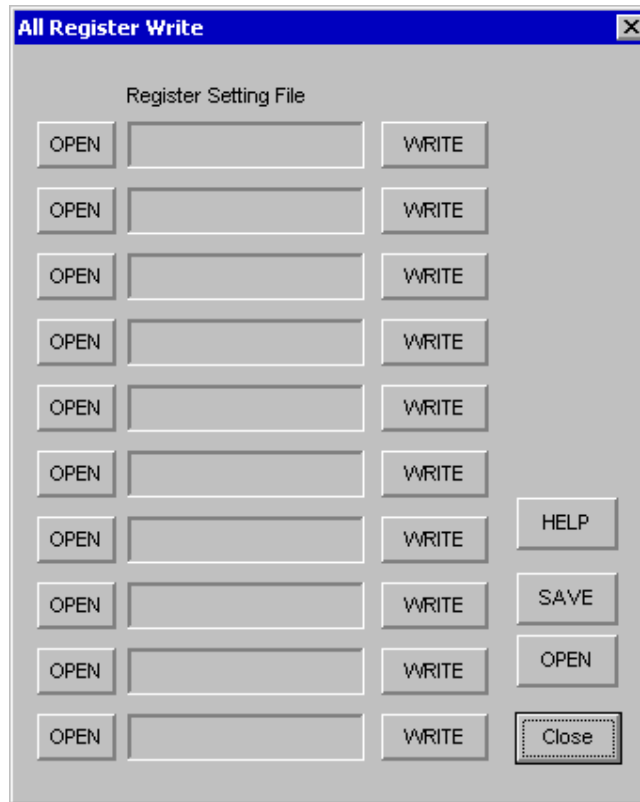


Figure 12. [F5] window

7-1. [OPEN] buttons on left side and [WRITE] button

(1) Click [OPEN] button and select the register setting file (*.akr).

The register setting file name is displayed as shown in Figure 13. (In case that the selected file name is "DAC_Output.akr")

(2) Click [WRITE] button, then the register setting is executed.

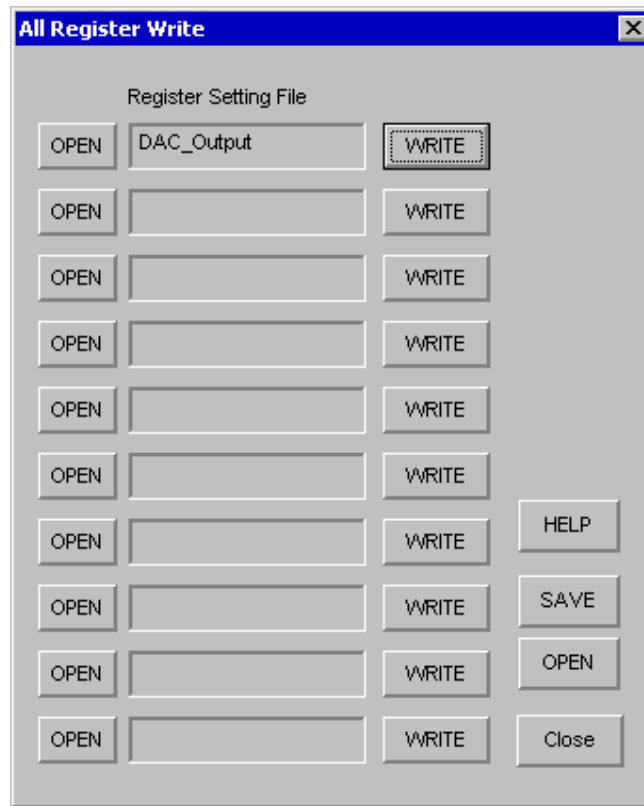


Figure 13. [F5] windows(2)

7-2. [SAVE] and [OPEN] buttons on right side

[SAVE] : The name assign of register setting file displayed on [Function5] window can be saved to the file. The file name is “*.ak5”.

[OPEN] : The name assign of register setting file(*.ak5) saved by [SAVE] is loaded.

7-3. Note

- (1) All files used by [SAVE] and [OPEN] function on right side need to be in the same folder.
- (2) When the register setting is changed by [SAVE] Button on the main window, the register setting file (*.akr) should be loaded again in order to reflect the change.

MEASUREMENT RESULTS

1. EXT mode (slave mode)

[Measurement condition]

- Measurement unit: Audio Precision, System two
- BICK: 64fs
- Bit: 16bit
- Measurement Frequency: 20~ 20kHz
- Power Supply: AVDD=DVDD=HVDD=3.3V
- Temperature: Room
- Input Frequency: 1kHz
- Sampling Frequency: 44.1kHz

[Measurement Results]

2. ADC (LIN2/RIN2) characteristics (IVOL=0dB, ALC1 = OFF, LIN2/RIN2 → ADC → IVOL)

		L[dB]		R[dB]	
MGAIN Bit		00	01	00	01
THD+N	20kHzLPF (-1dB)	87.3	82.9	87.1	82.7
DR	20kHzLPF + A-weighted	94.9	86.3	94.9	86.1
S/N	20kHzLPF + A-weighted	95.0	86.2	95.1	86.0

3. DAC (LOUT/ROUT) characteristics (RL=10kΩ, DAC → LOUT/ROUT)

		L[dB]	R[dB]
THD+N	20kHzLPF (-3dB)	87.5	87.6
S/N	20kHzLPF + A-weighted	92.0	93.4

2. PLOT DATA

2-1.ADC (LIN2/RIN2 → ADC) PLOT DATA

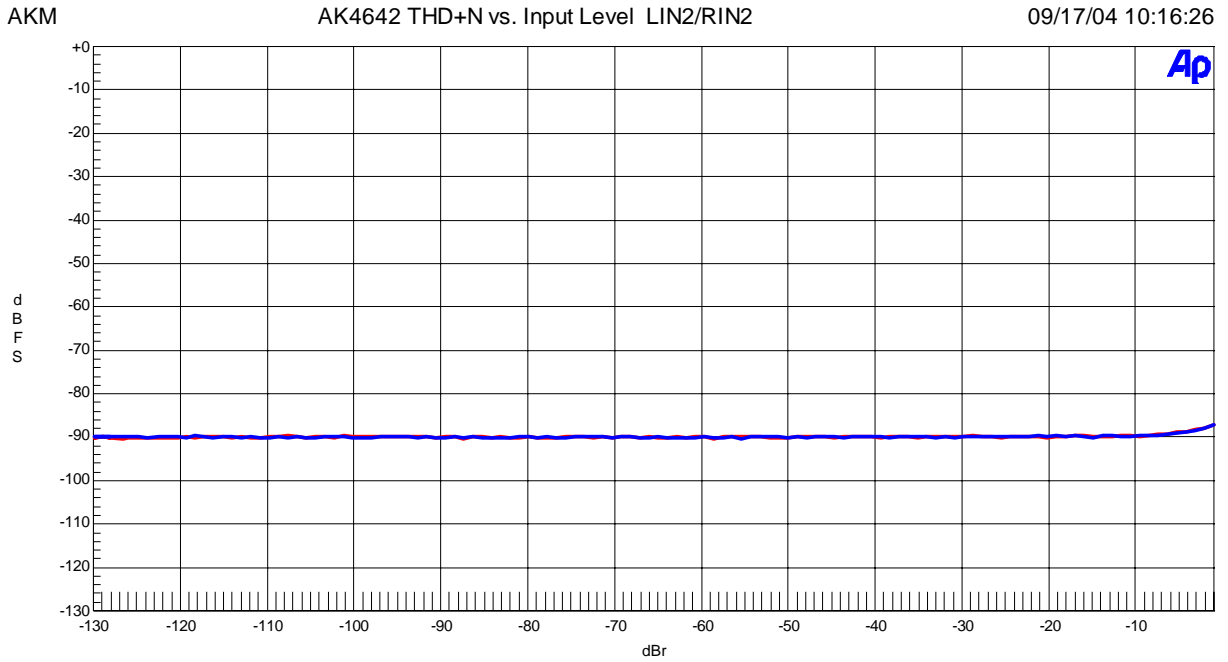


Figure 14. THD+N vs. Input Level

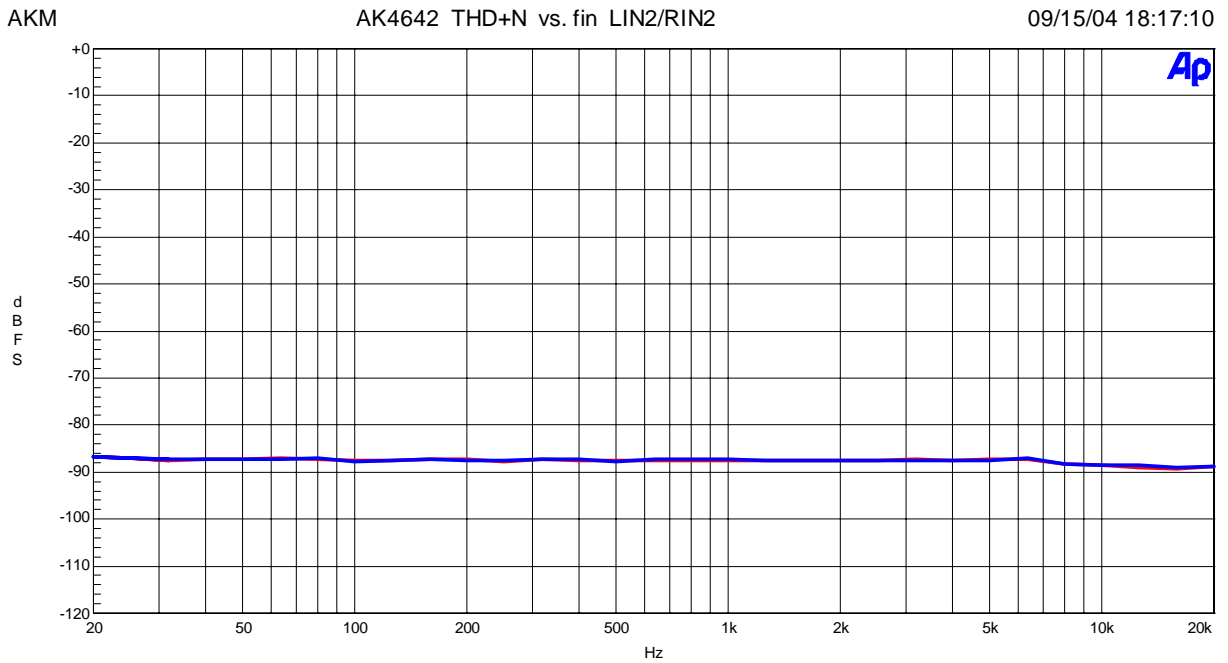


Figure 15. THD+N vs. Input Frequency

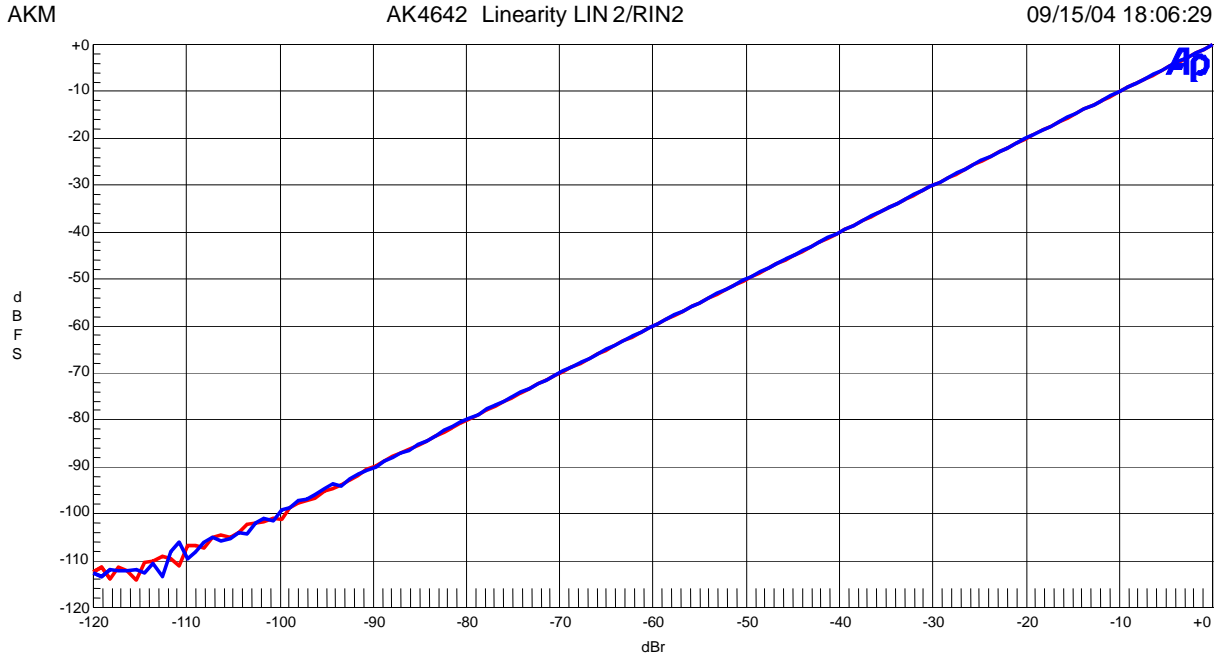


Figure 16. Linearity

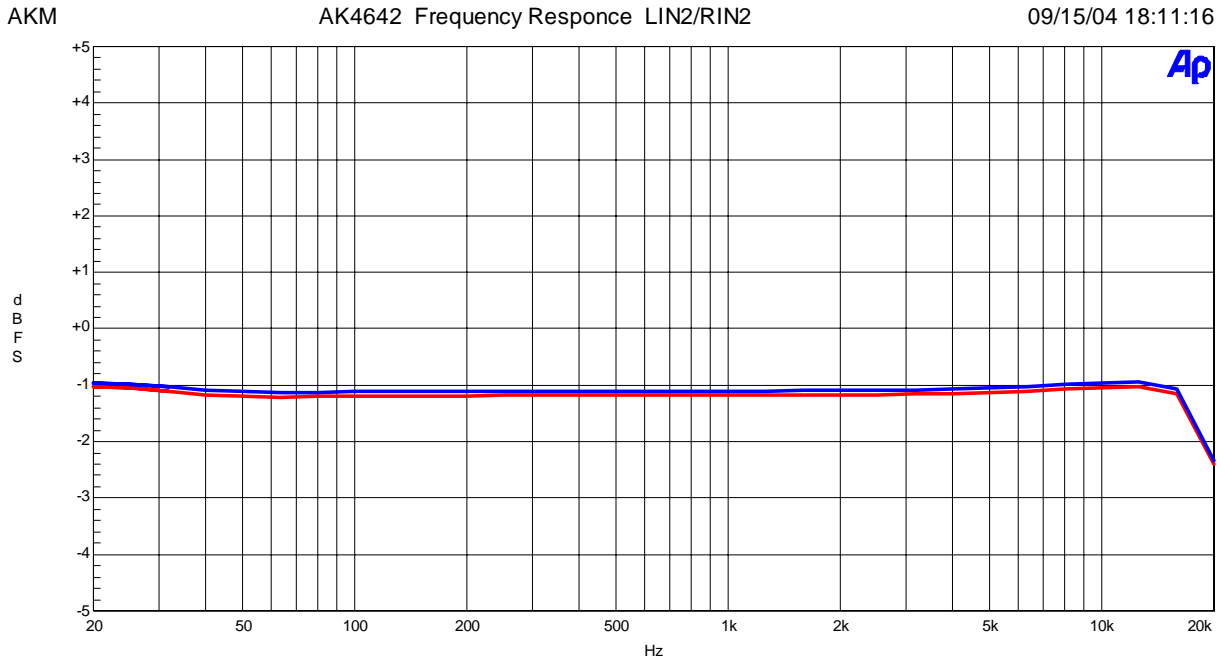


Figure 17. Frequency Response

AKM

AK4642 FFT THD+N LIN2/RIN2

09/17/04 11:32:36

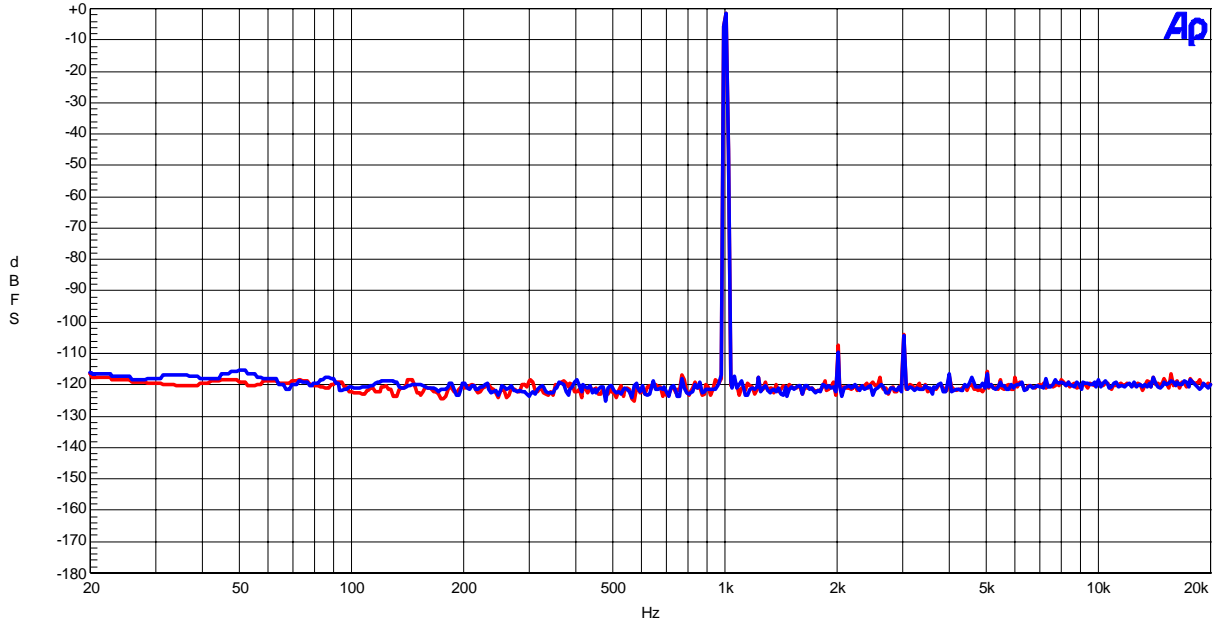


Figure 18. FFT Plot (Input level=-1.0dBFS)

AKM

AK4642 FFT DR LIN2/RIN2

09/17/04 11:35:18

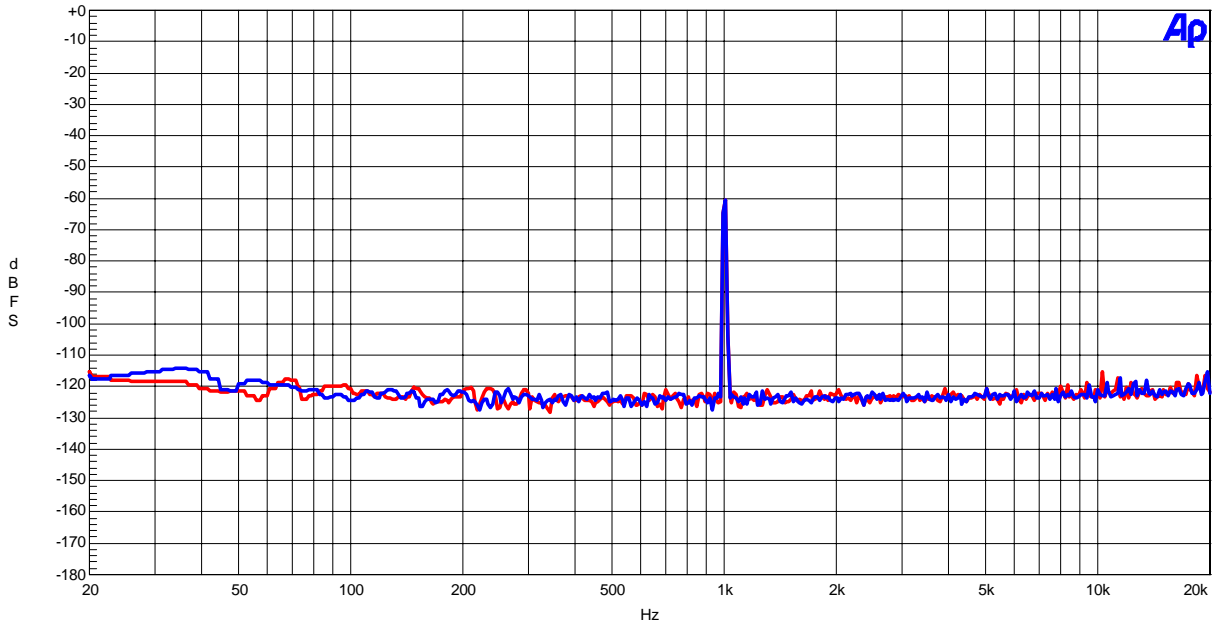


Figure 19. FFT Plot (Input level=-60.0dBFS)

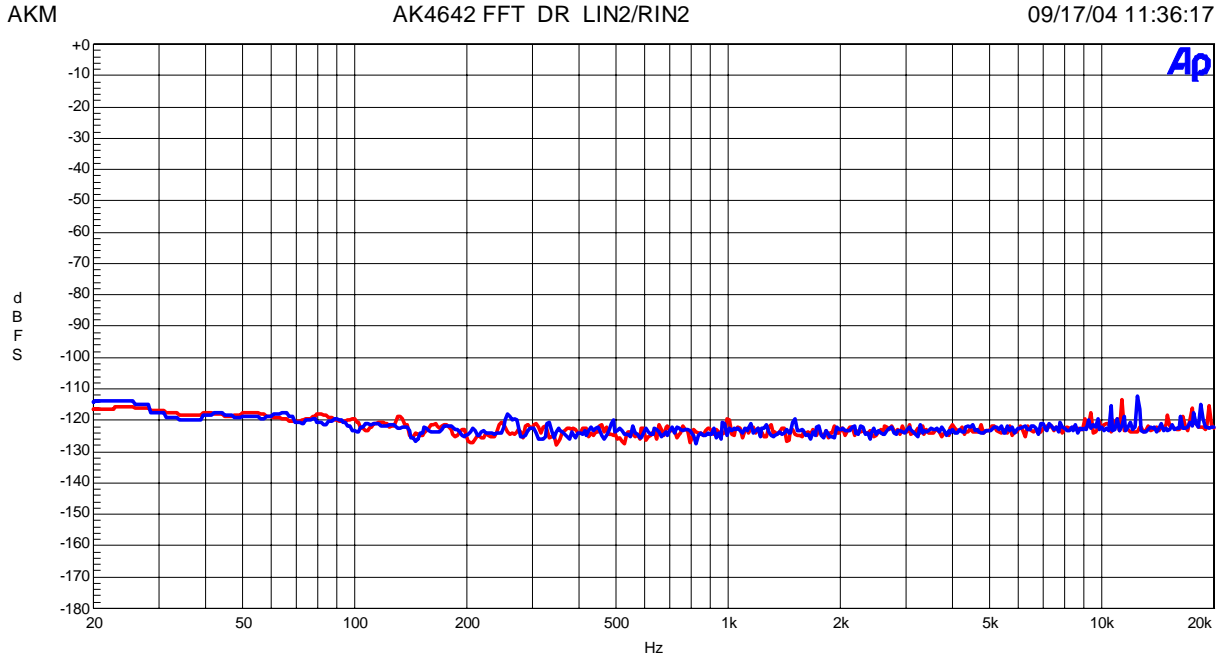


Figure 20. FFT Plot (No signal)

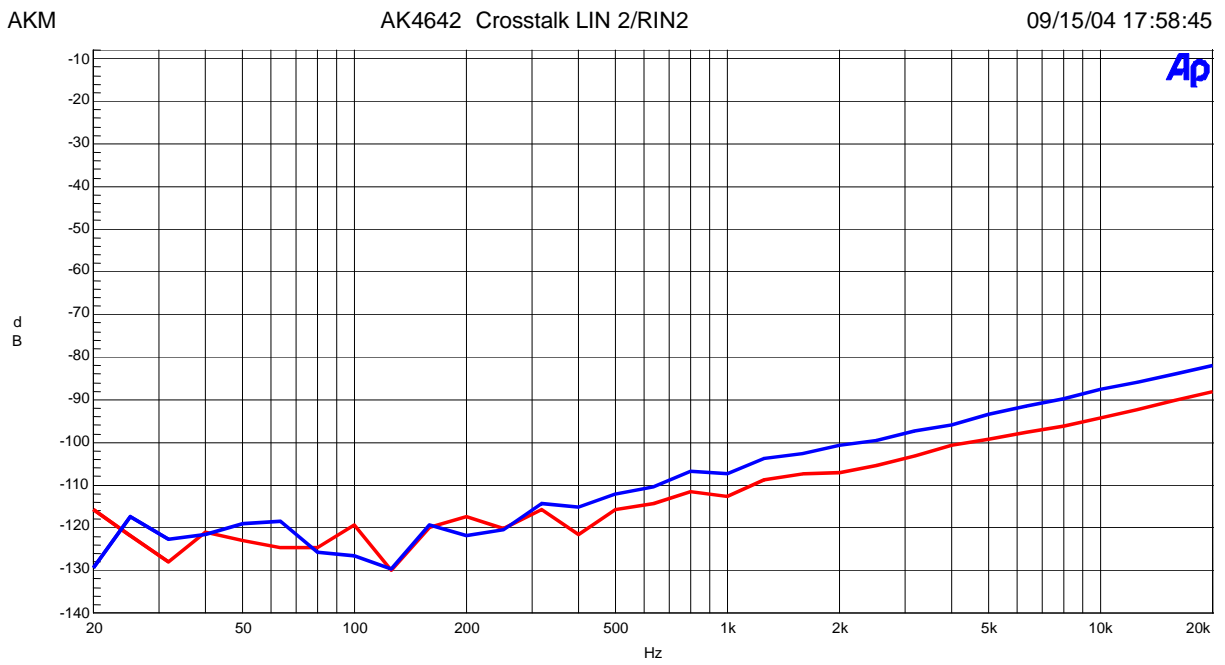


Figure 21. Crosstalk Plot

2-2. DAC(DAC → LOU/ROUT) PLOT DATA

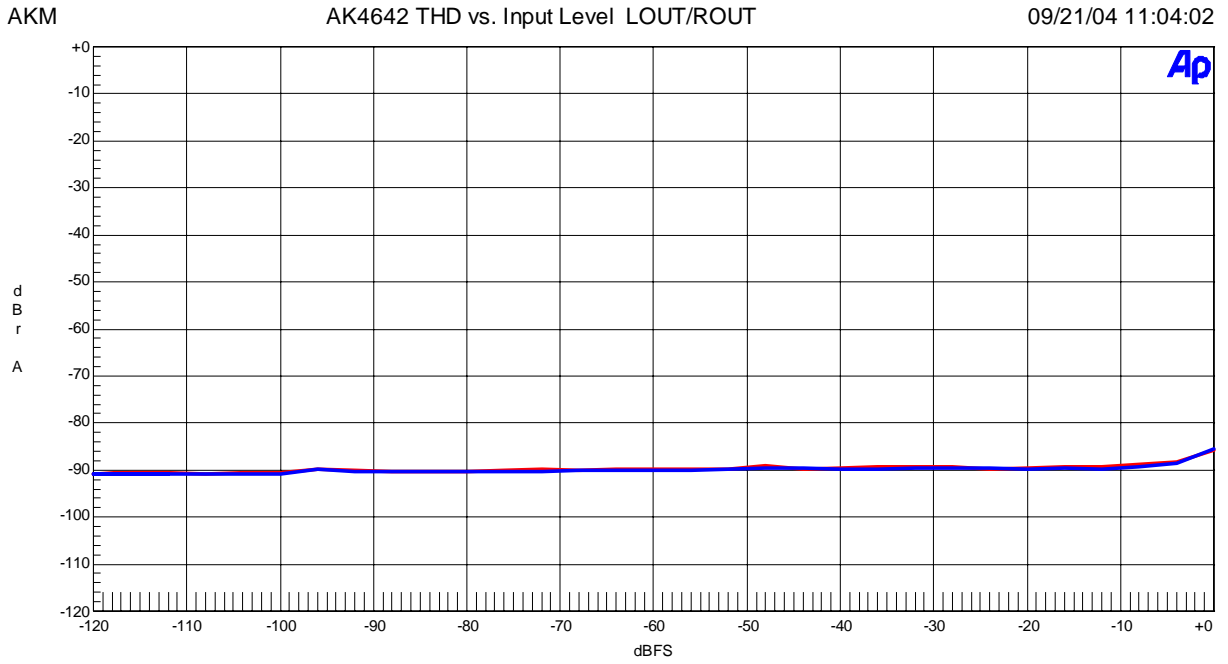


Figure 22. THD+N vs. Input Level

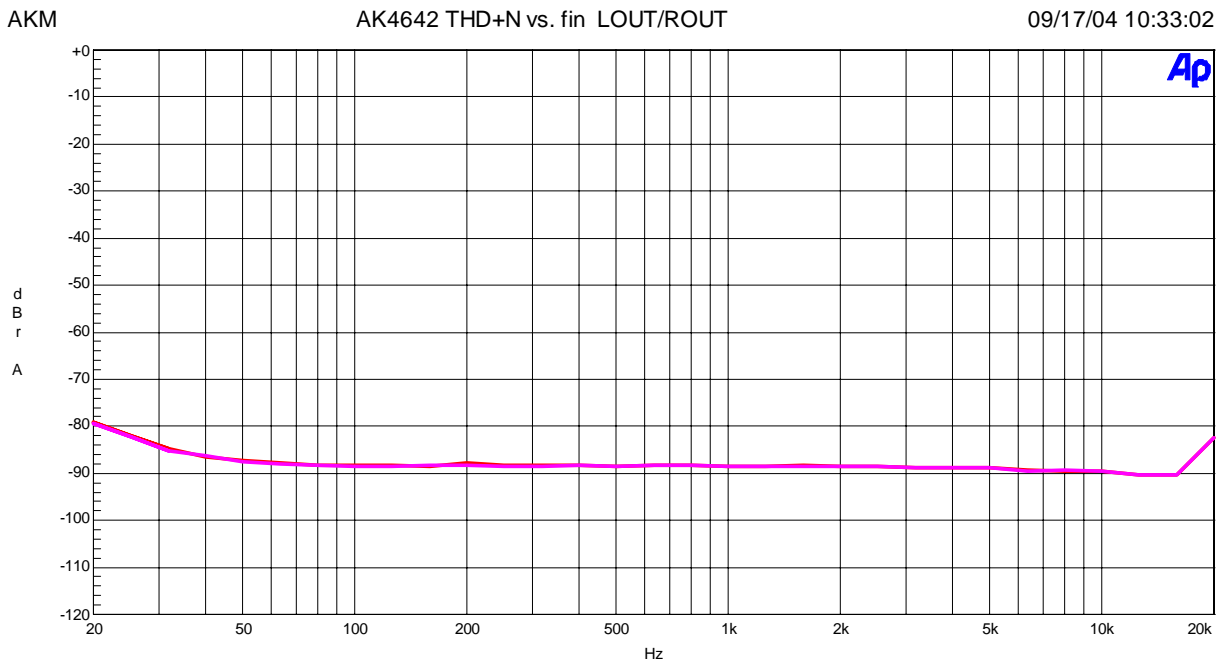


Figure 23. THD+N vs. Input Frequency

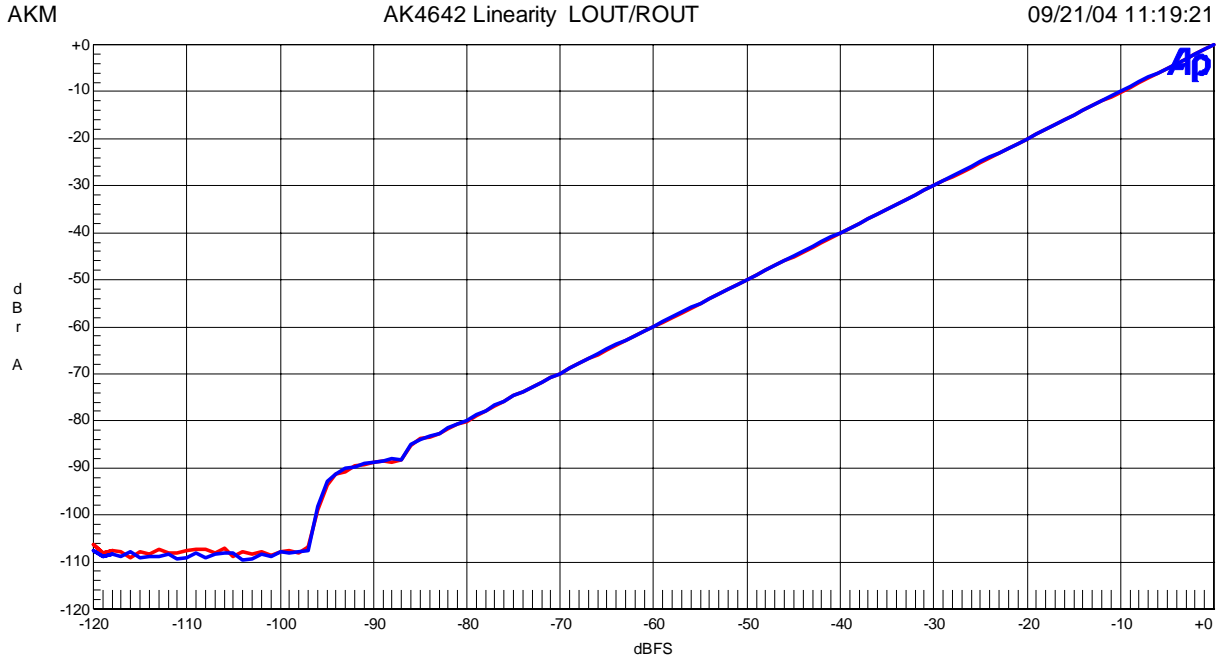


Figure 24. Linearity

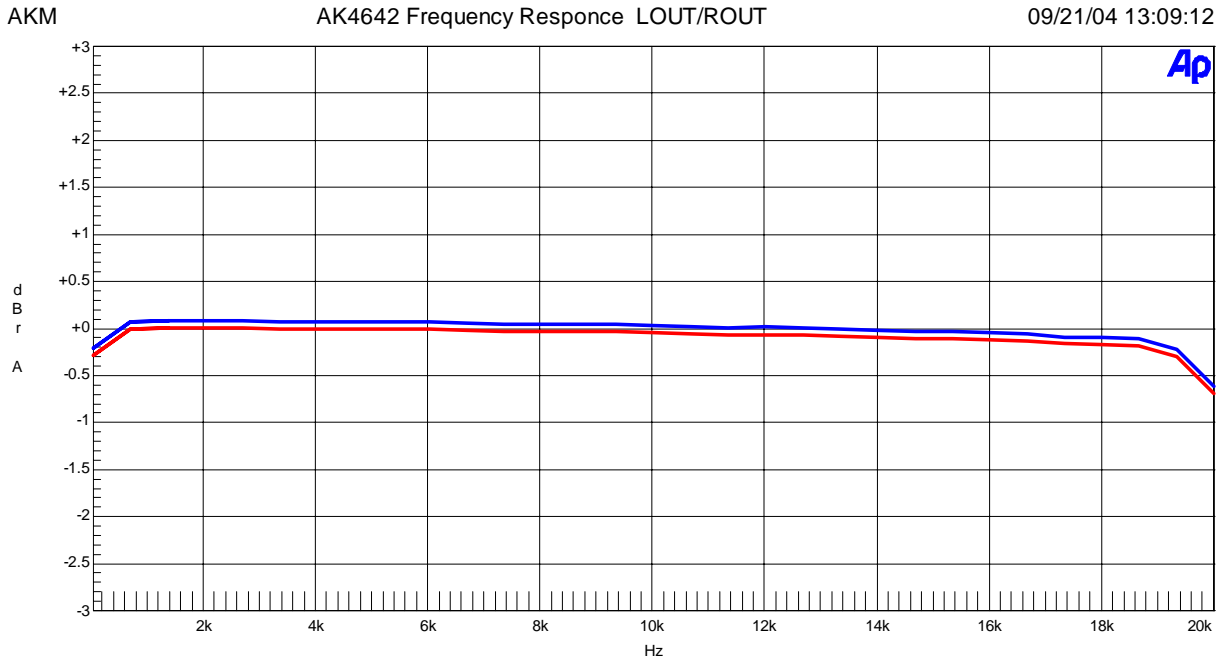


Figure 25. Frequency Response

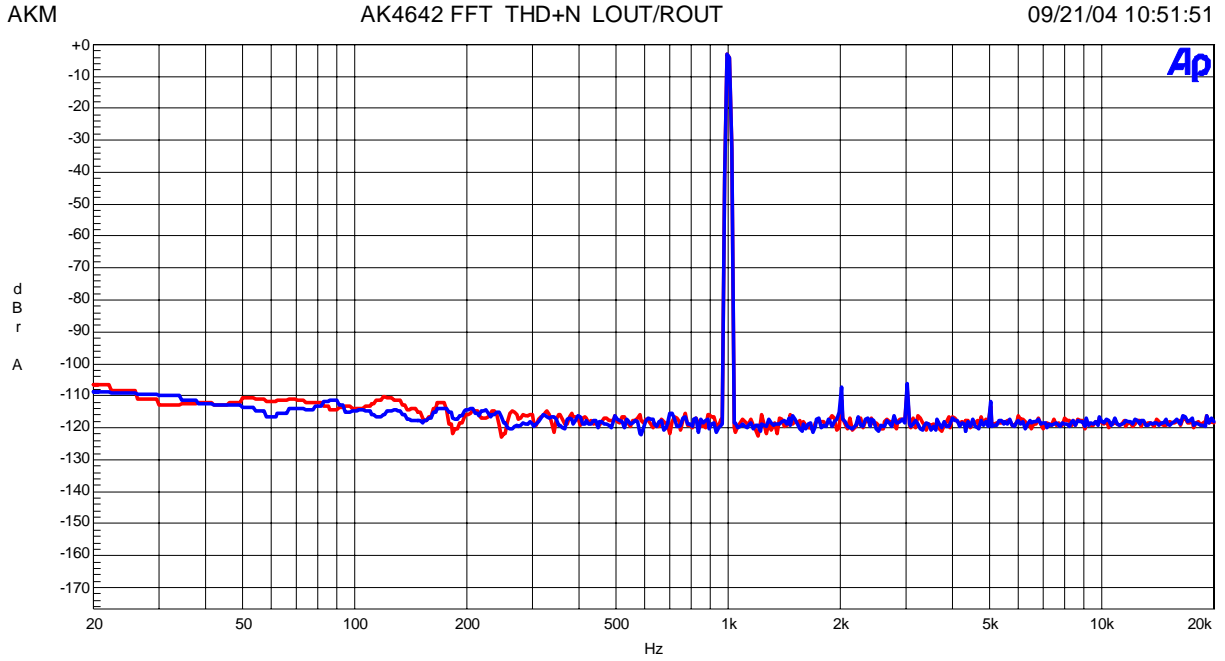


Figure 26. FFT Plot (Input level=-3dBFS)

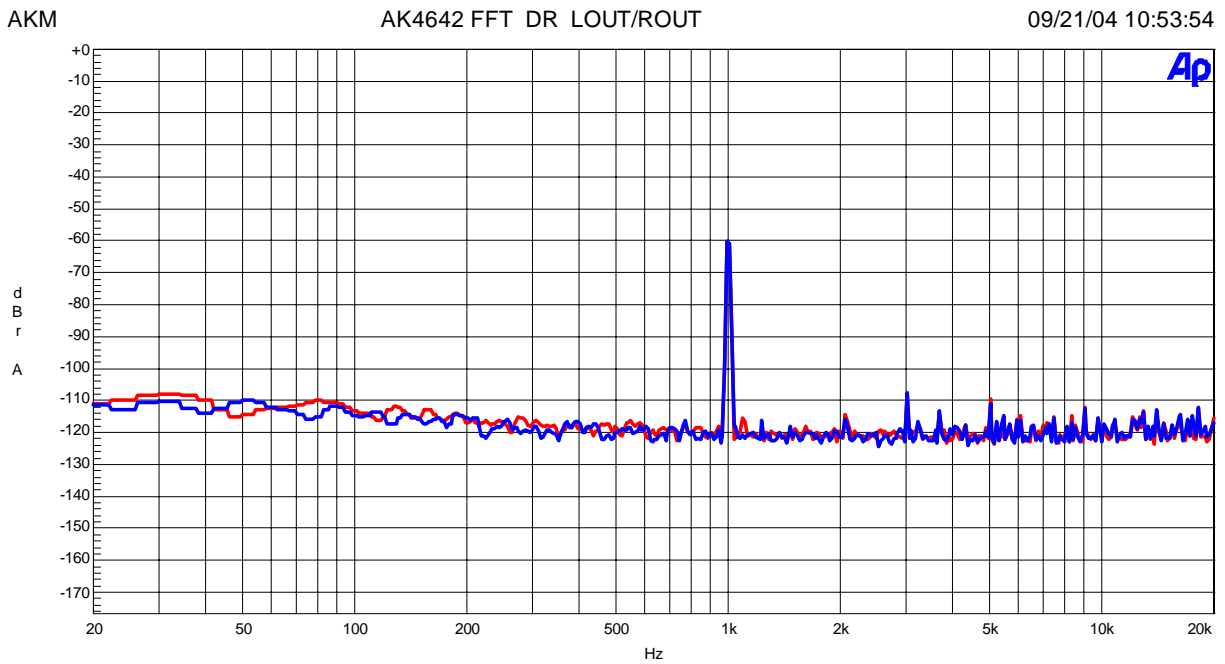


Figure 27. FFT Plot (Input level=-60.0dBFS)

AKM

AK4642 FFT S/N LOUT/ROUT

09/21/04 10:55:10

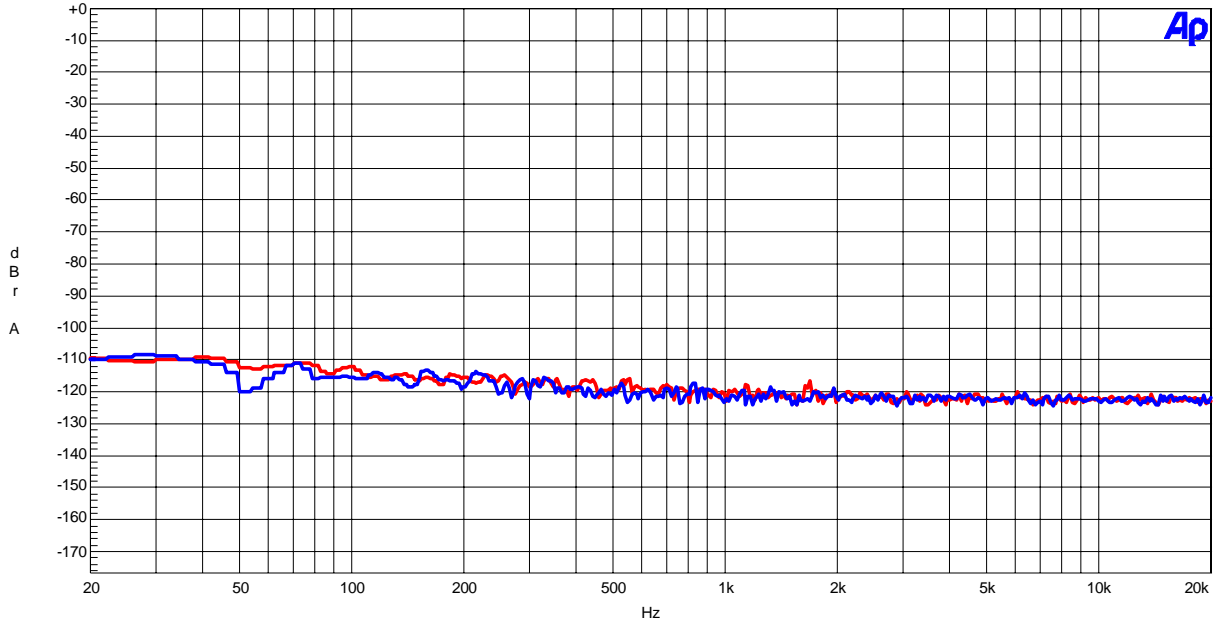


Figure 28. FFT Plot (No signal)

AKM

AK4642 Crosstalk LOUT /ROUT

09/15/04 19:30:36

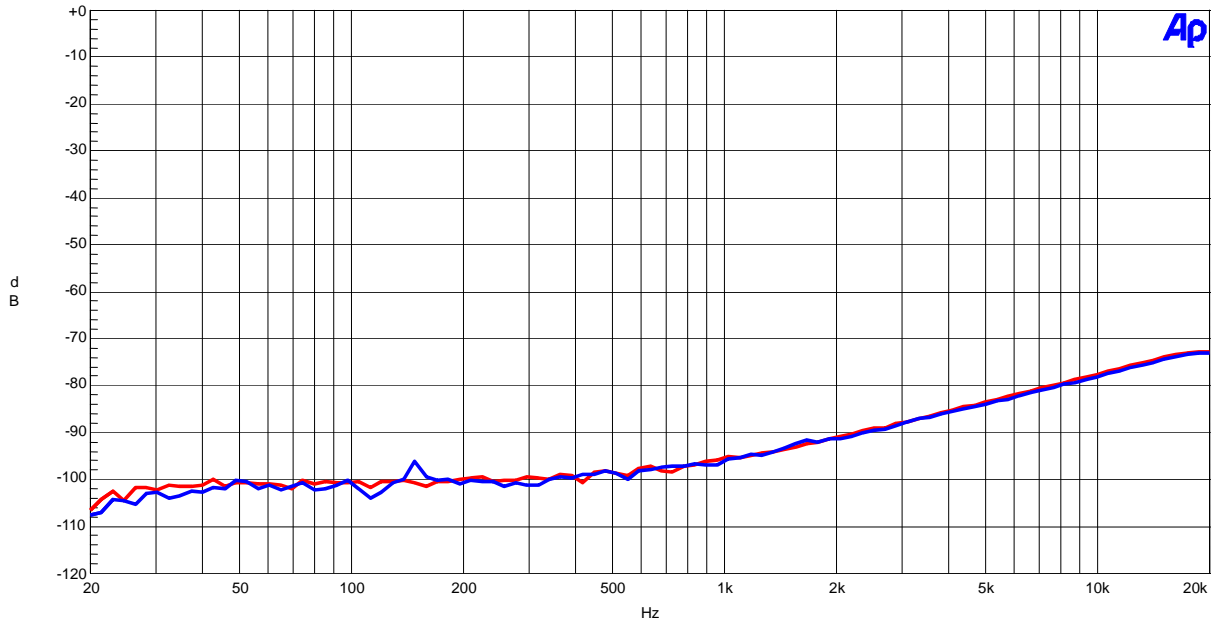
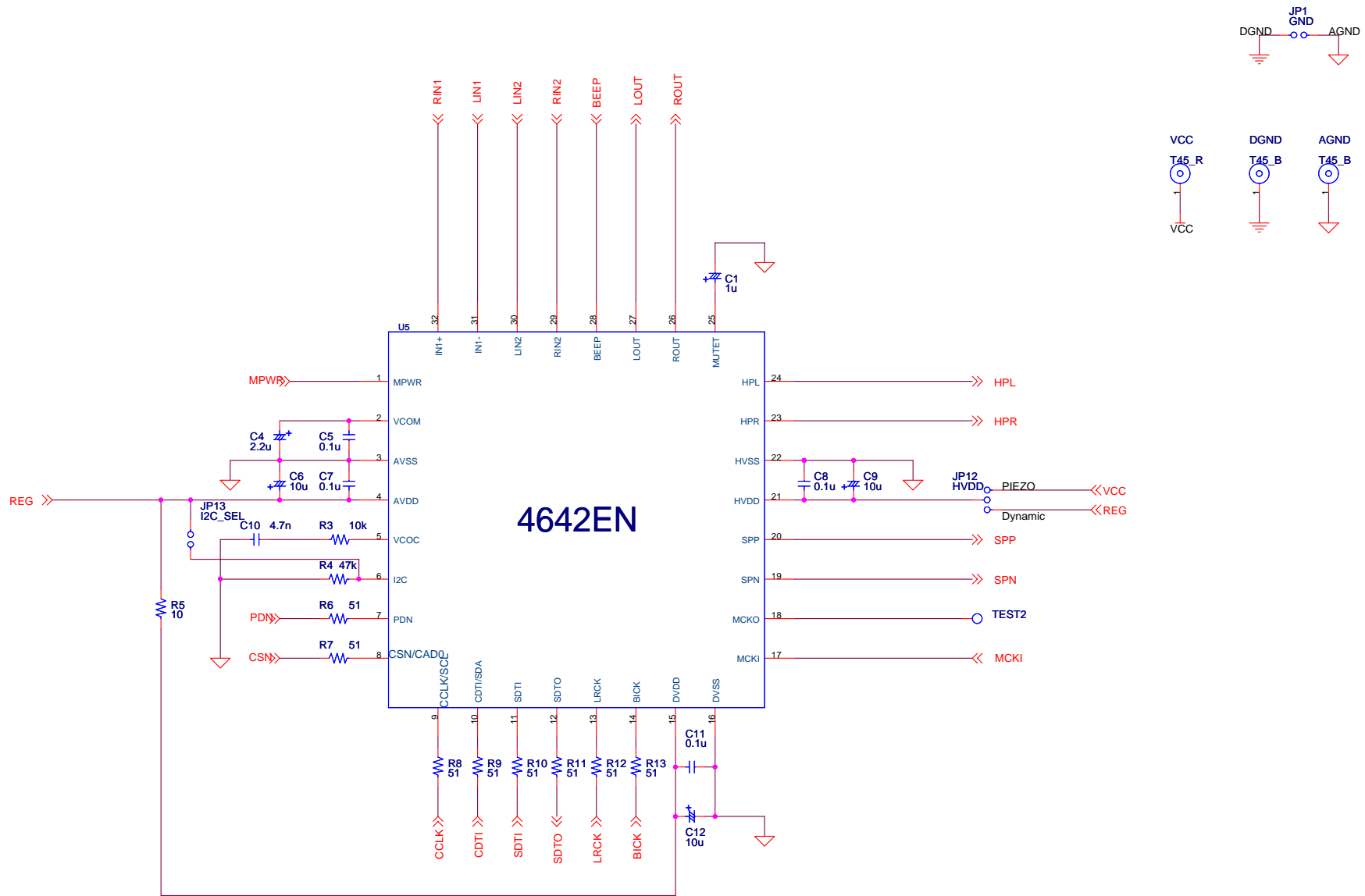


Figure 29. Crosstalk Plot

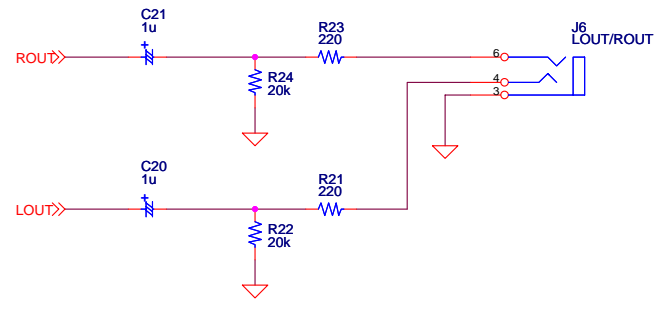
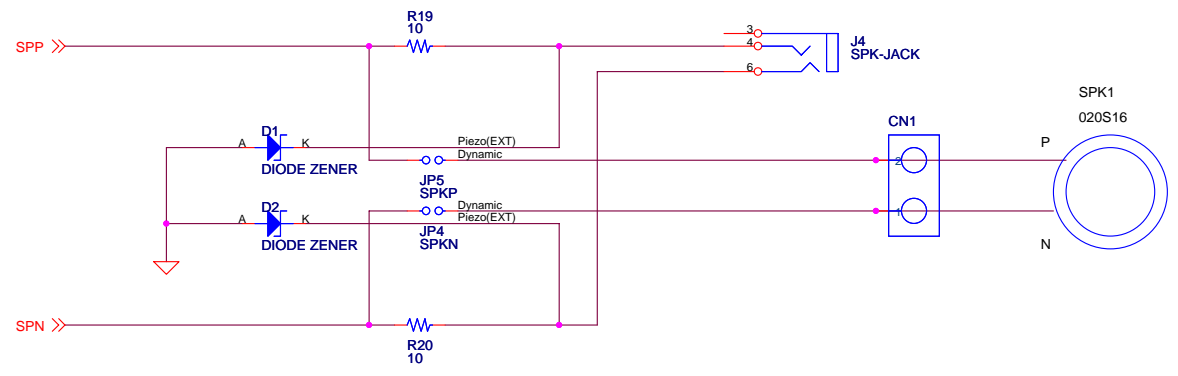
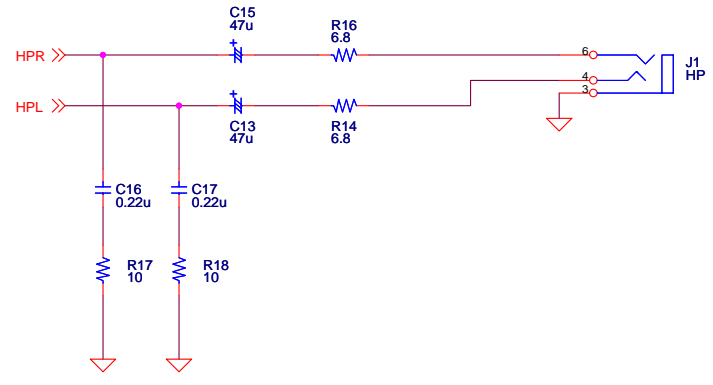
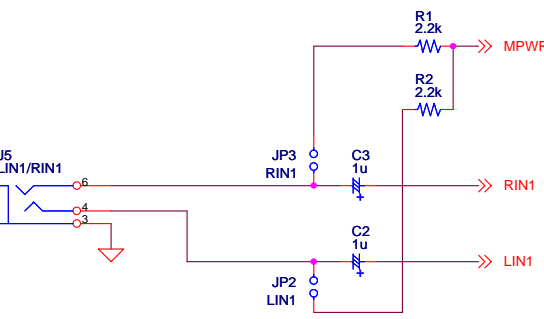
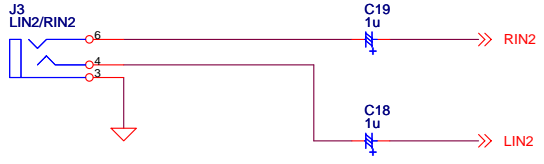
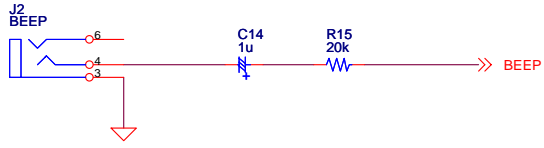
Revision History				
Date (YY/MM/DD)	Manual Revision	Board Revision	Reason	Contents
05/06/24	KM079300	0	First Edition	

IMPORTANT NOTICE

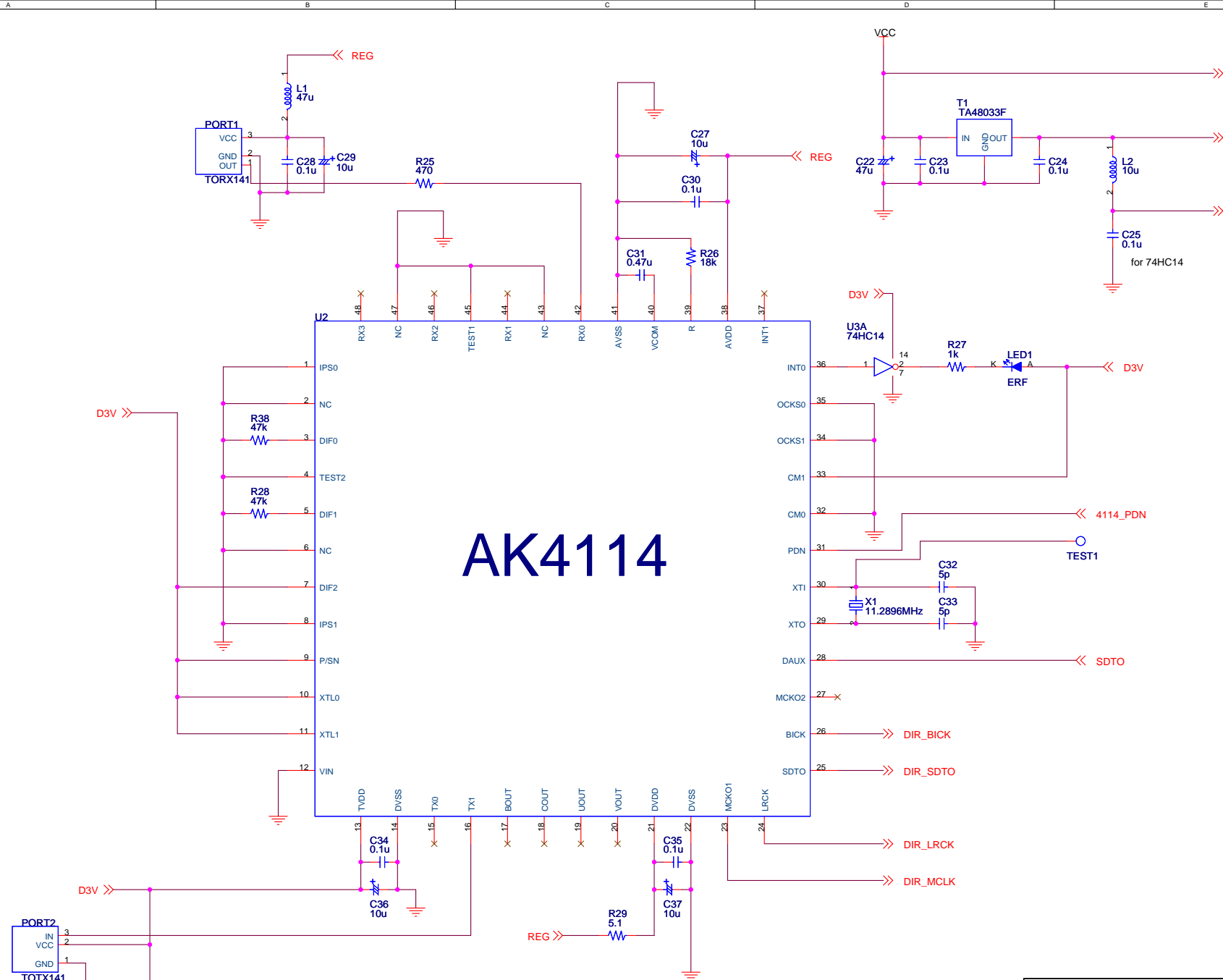
- These products and their specifications are subject to change without notice. Before considering any use or application, consult the Asahi Kasei Microsystems Co., Ltd. (AKM) sales office or authorized distributor concerning their current status.
- AKM assumes no liability for infringement of any patent, intellectual property, or other right in the application or use of any information contained herein.
- Any export of these products, or devices or systems containing them, may require an export license or other official approval under the law and regulations of the country of export pertaining to customs and tariffs, currency exchange, or strategic materials.
- AKM products are neither intended nor authorized for use as critical components in any safety, life support, or other hazard related device or system, and AKM assumes no responsibility relating to any such use, except with the express written consent of the Representative Director of AKM. As used here:
 - (a) A hazard related device or system is one designed or intended for life support or maintenance of safety or for applications in medicine, aerospace, nuclear energy, or other fields, in which its failure to function or perform may reasonably be expected to result in loss of life or in significant injury or damage to person or property.
 - (b) A critical component is one whose failure to function or perform may reasonably be expected to result, whether directly or indirectly, in the loss of the safety or effectiveness of the device or system containing it, and which must therefore meet very high standards of performance and reliability.
- It is the responsibility of the buyer or distributor of an AKM product who distributes, disposes of, or otherwise places the product with a third party to notify that party in advance of the above content and conditions, and the buyer or distributor agrees to assume any and all responsibility and liability for and hold AKM harmless from any and all claims arising from the use of said product in the absence of such notification.



Title		
AKD4642EN-B		
Size	Document Number	Rev
A3	AK4642EN	0
Date:	Friday, June 10, 2005	Sheet 1 of 5

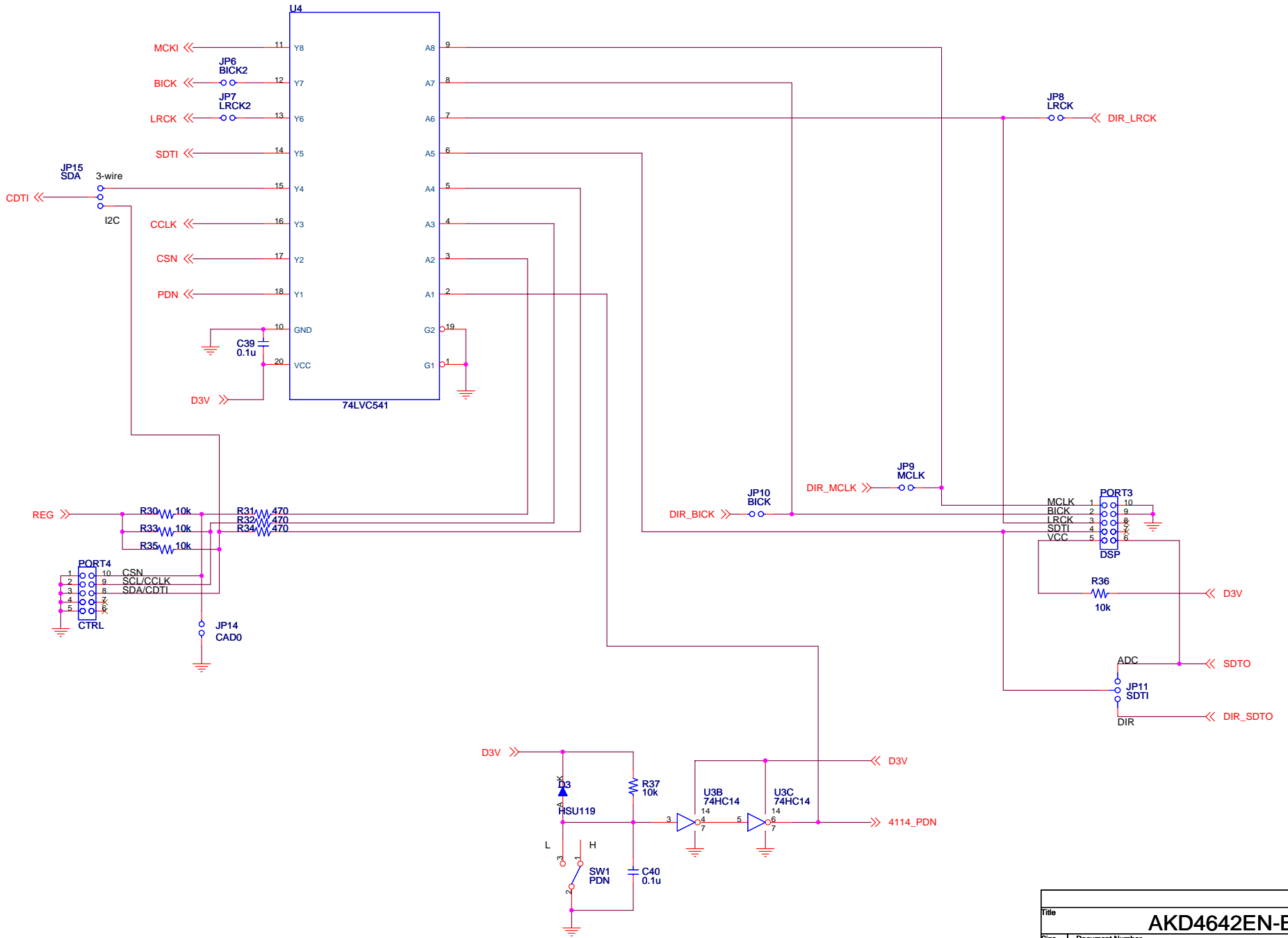


Title			
AKD4642EN-B			
Size	Document Number	Input/Output	Rev
A3			0
Date:	Friday, June 10, 2005	Sheet	2 of 5

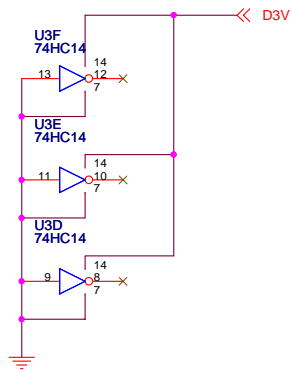


AK4114

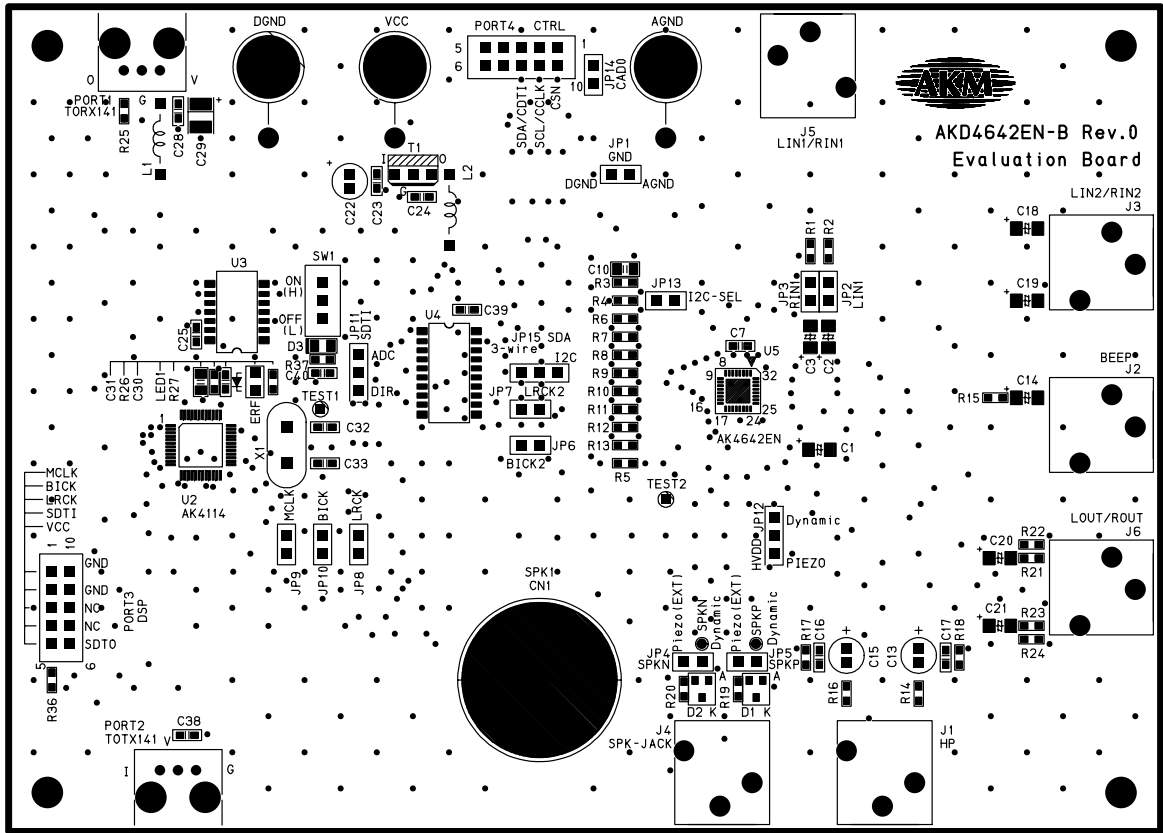
Title			AKD4642EN-B		
Size	Document Number	DIR/DIT			Rev
A3					0
Date:	Thursday, June 09, 2005	Sheet	3	of	5



Title		
AKD4642EN-B		
Size A3	Document Number LOGIC	Rev 0
Date: Thursday, June 09, 2005	Sheet 4 of 5	



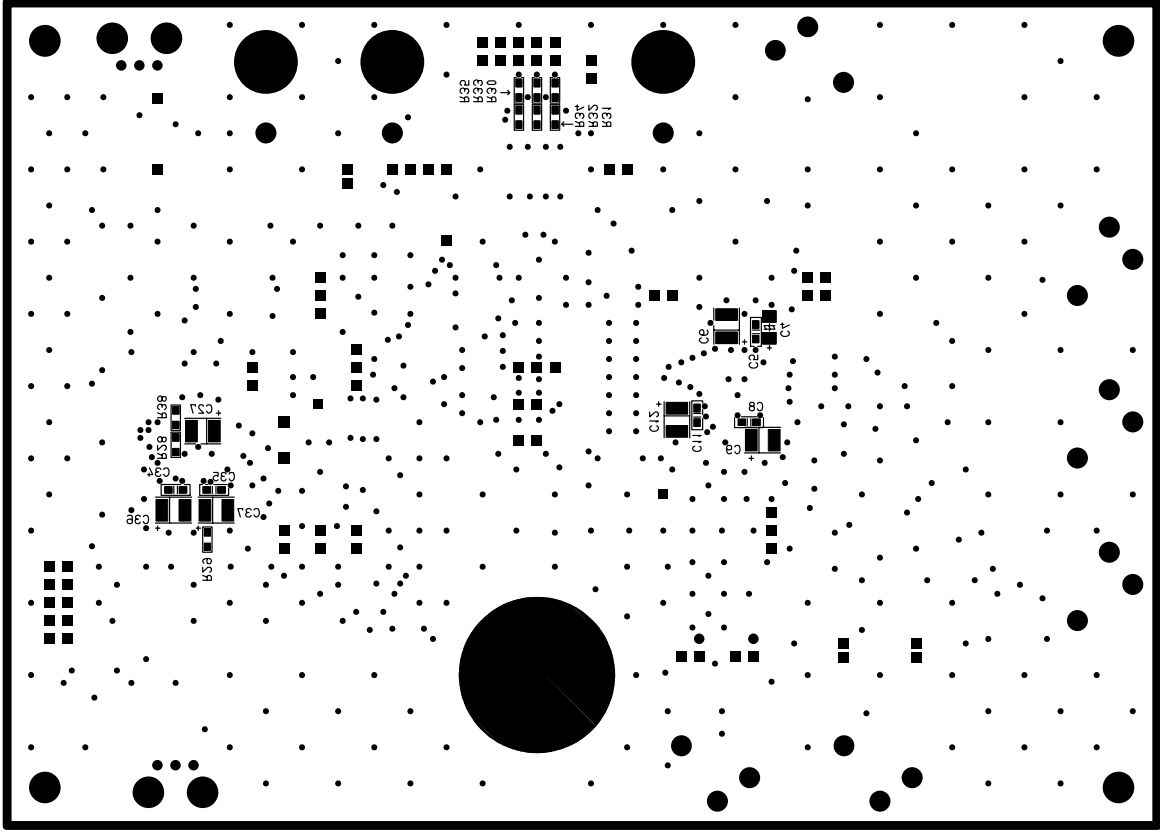
Title			AKD4642EN-B		
Size	Document Number	PIN		Rev	0
A3					
Date:	Monday, June 06, 2005	Sheet	5	of	5

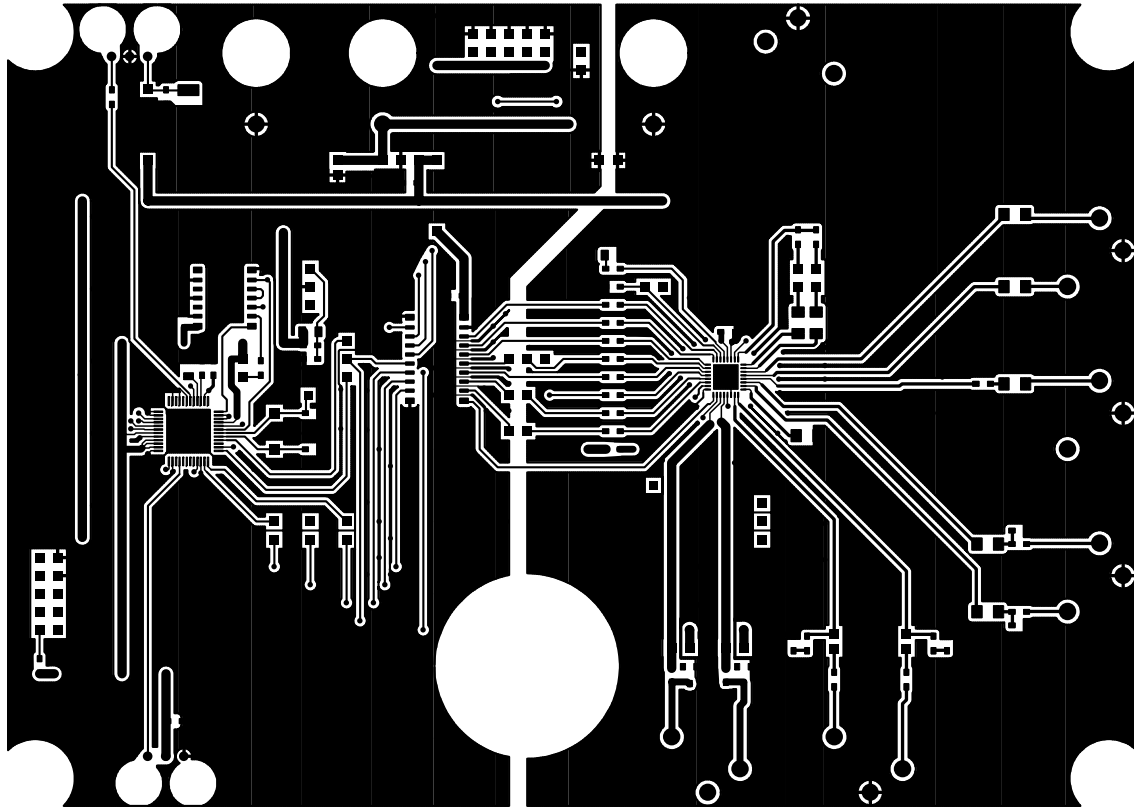


AKD4642EN-B Rev.0
Evaluation Board

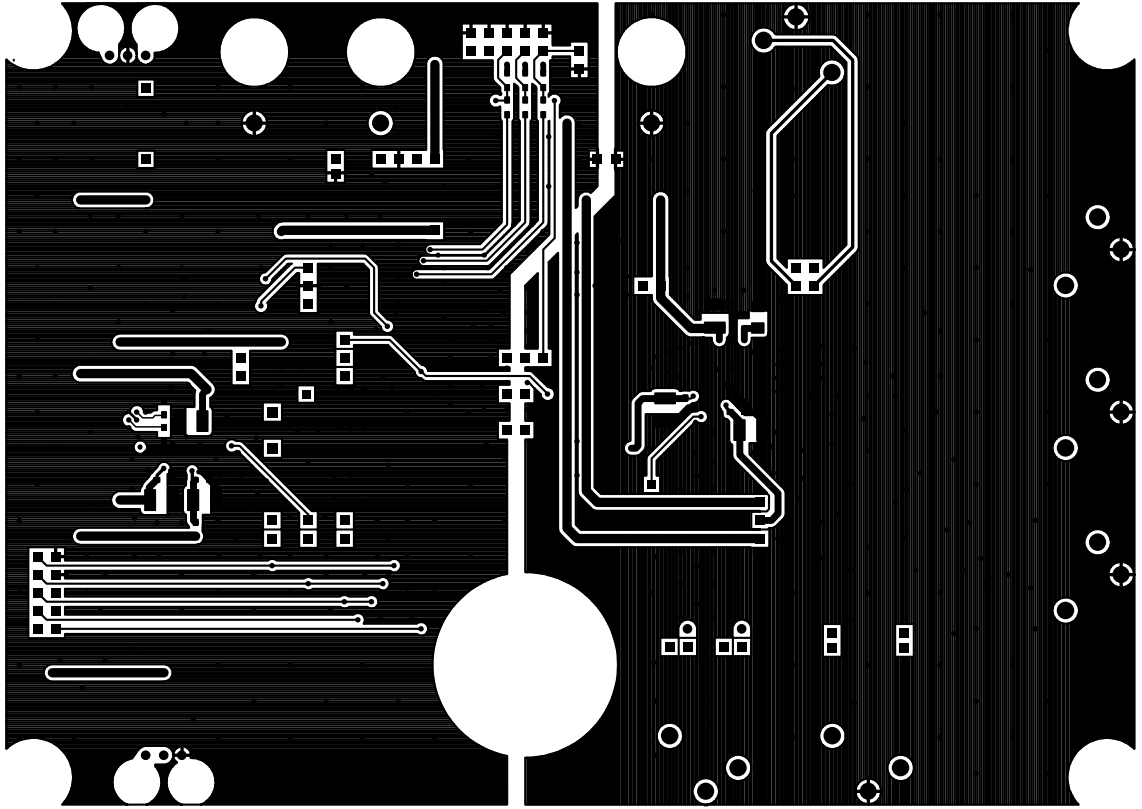
AKD4642EN-B L1 SILK

AKD4E7SEN-B LS 21TK





AKD4642EN-B L1



AKD&ESEN-B TS