

# VDSL 4 Band Solution CPE (NT)

APC77178

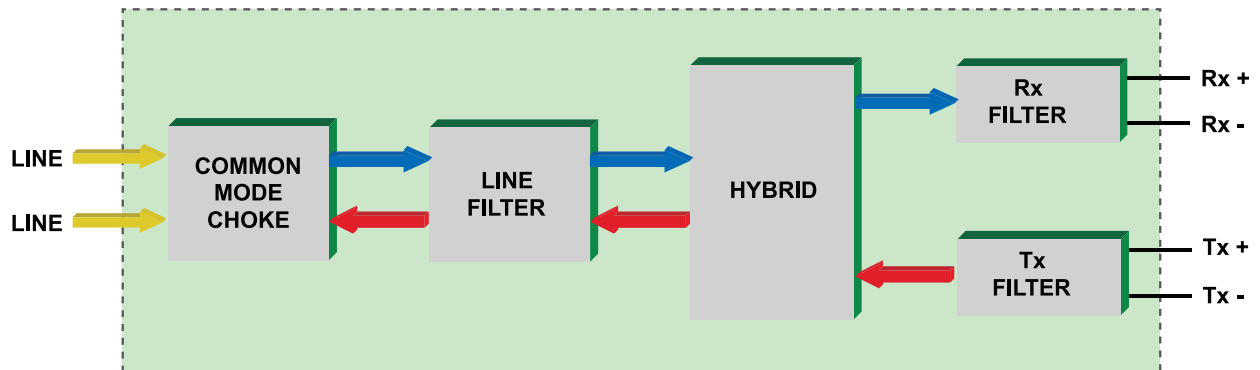
## FEATURES

- Compact four band packet over VDSL (4bPoVDSL)
- Minimum footprint design for maximized port density
- Optimized for use with Infineon 22810, 22815 and 22834 chipsets
- Plan 998 specification



## BLOCK DIAGRAM

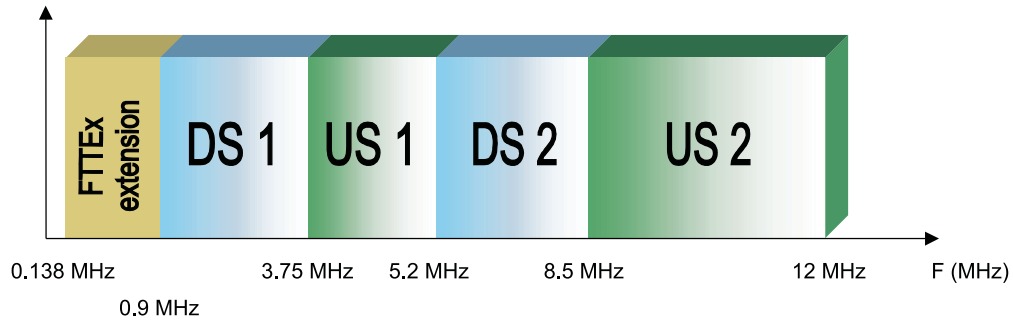
APC77178



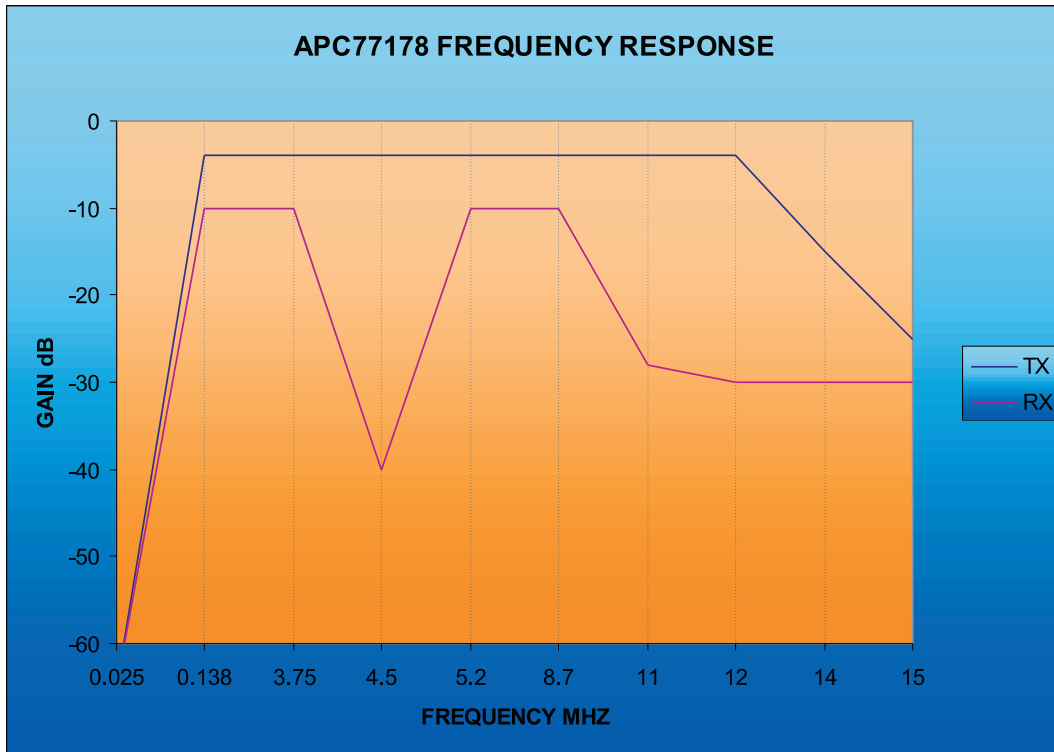
# VDSL 4 Band Solution CPE (NT)

APC77178

## BAND ALLOCATION



## FREQUENCY RESPONSE



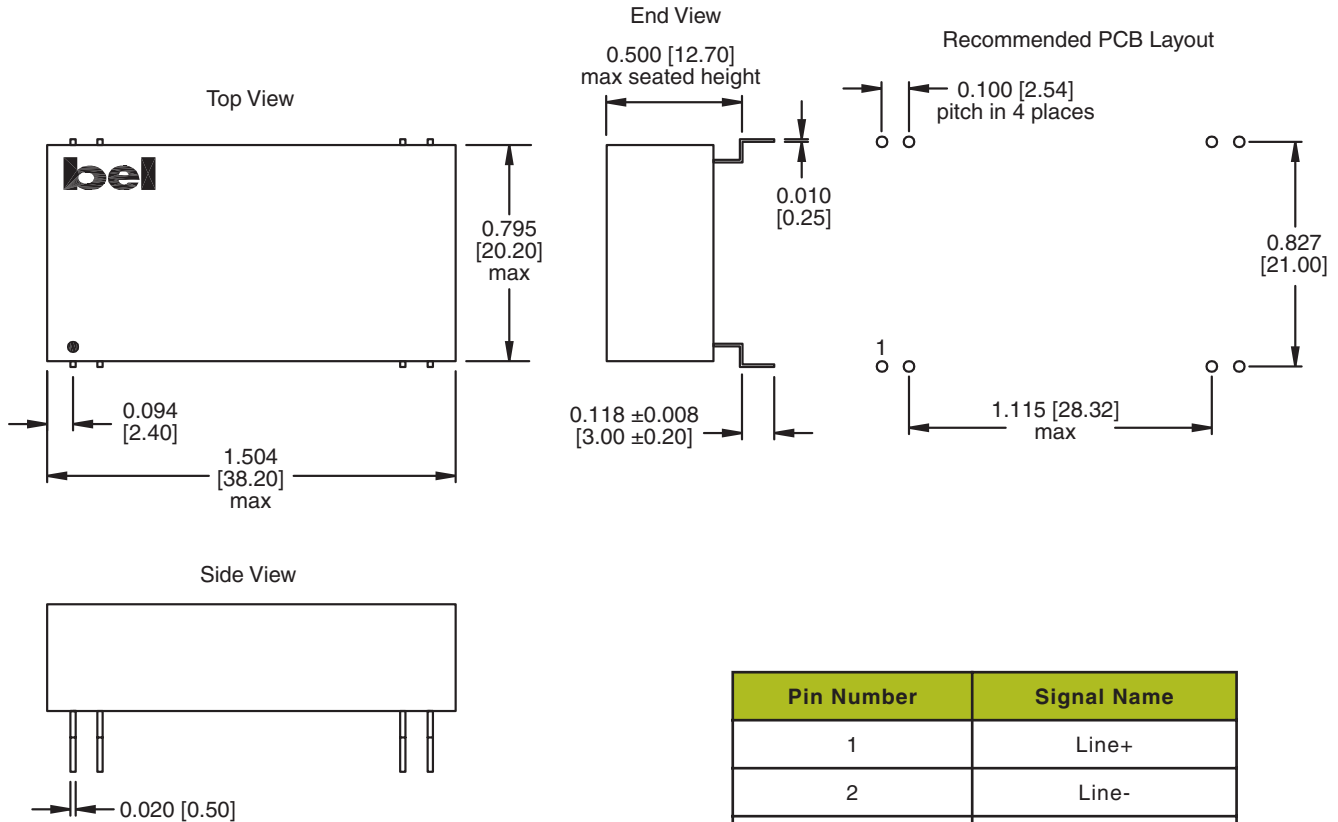
# VDSL 4 Band Solution CPE (NT)

APC77178



## MECHANICAL

### APC77178



Pin Number	Signal Name
1	Line+
2	Line-
3	TX+
4	TX-
5	RX+
6	RX-
7 & 8	N/C

©2003 Bel Fuse Inc. Specifications subject to change without notice. 05.28.03

#### CORPORATE

**Bel Fuse Inc.**  
 206 Van Vorst Street  
 Jersey City, NJ 07302  
 Tel 201-432-0463  
 Fax 201-432-9542  
 www.belfuse.com

#### FAR EAST

**Bel Fuse Ltd.**  
 8F / 8 Luk Hop Street  
 San Po Kong  
 Kowloon, Hong Kong  
 Tel 852-2328-5515  
 Fax 852-2352-3706  
 www.belfuse.com

#### EUROPE

**Bel Stewart Connector**  
 45/46 Riverside  
 Medway City Estate  
 Rochester, Kent ME2 4DP U.K.  
 Tel 44-1634-722890  
 Fax 44-1634-716677  
 www.belfuse.com