

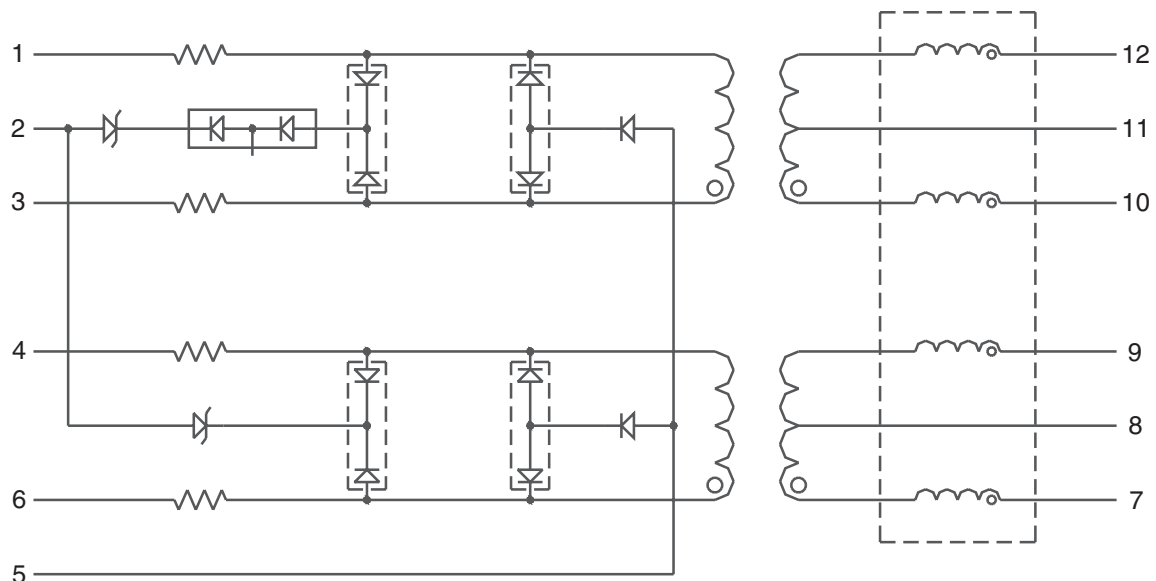
**ISDN S Interface Hybrid**  
**APC8866D**

**ELECTRICAL SPECIFICATIONS @25° C**  
**OPERATING TEMPERATURE 0° TO +70° C**

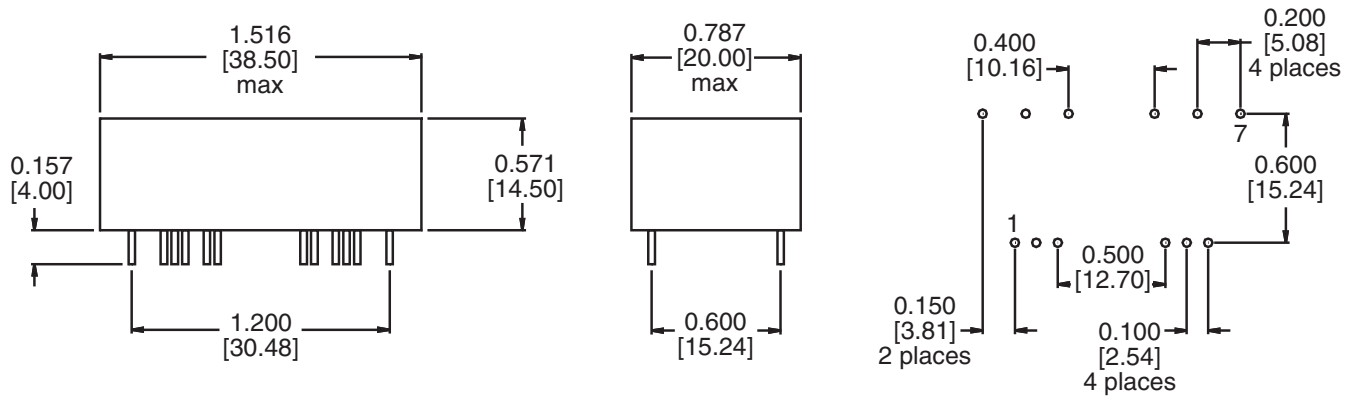
Turns Ratio ±5%	Primary Inductance mH min	Leakage Inductance	Primary Xfmr DCR Ω ±20%		Secondary Xfmr DCR Ω ±20%		Secondary Total DCR Ω ±20%		Choke	
			TX	RX	TX	RX	Pins 1 - 3	Pins 4 - 6	Inductance per line mH nom	DCR per line Ω ±20%
1CT : 2.5	20	12.5	1.2	1.8	2.62	3.33	127	10.2K	0.05	0.6

NOTE: ISOLATION PRI:SEC  
4200 Vrms IEC60950/EN60950 QUALIFIED (REINFORCED)

**SCHEMATIC**



### MECHANICAL



ALL DIMENSIONS IN INCHES [MM].  
TOLERANCE  $\pm 0.2$ MM UNLESS OTHERWISE STATED.  
PIN DIAMETER 0.75MM MAX

©2003 Bel Fuse Inc. Specifications subject to change without notice. 11.06.03

#### CORPORATE

**Bel Fuse Inc.**  
206 Van Vorst Street  
Jersey City, NJ 07302  
Tel 201-432-0463  
Fax 201-432-9542  
www.belfuse.com

#### FAR EAST

**Bel Fuse Ltd.**  
8F / 8 Luk Hop Street  
San Po Kong  
Kowloon, Hong Kong  
Tel 852-2328-5515  
Fax 852-2352-3706  
www.belfuse.com

#### EUROPE

**Bel Stewart Connector**  
45/46 Riverside  
Medway City Estate  
Rochester, Kent ME2 4DP U.K.  
Tel 44-1634-722890  
Fax 44-1634-716677  
www.belfuse.com