

APK3216MGC

MEGA GREEN

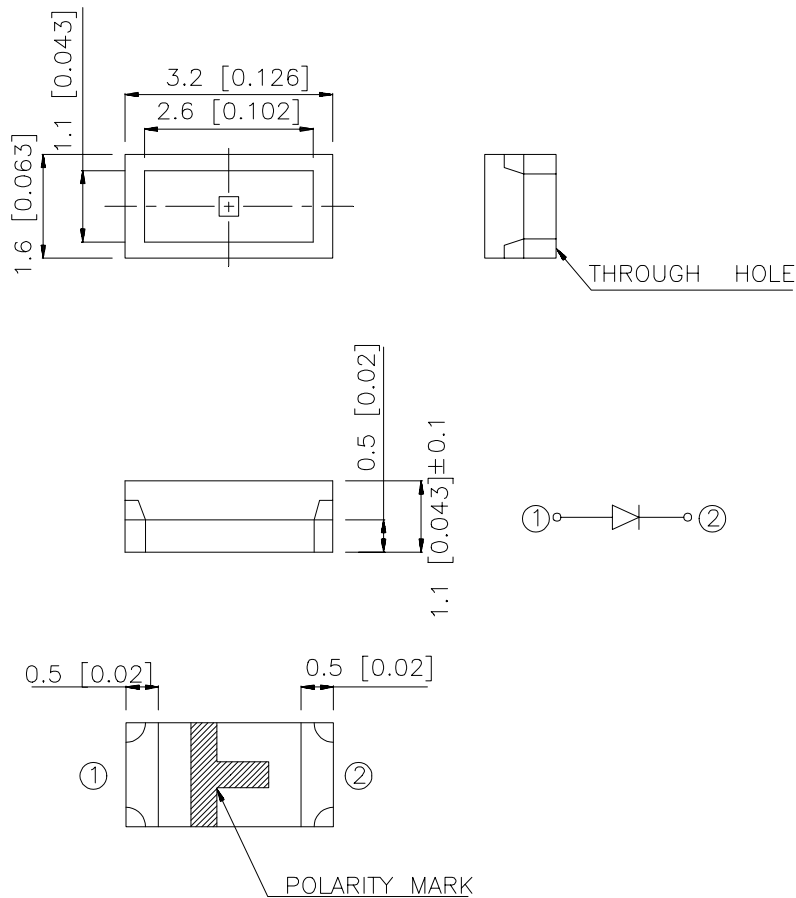
### Features

- 3.2mmX1.6mm SMT LED, 1.1mm THICKNESS.
- LOW POWER CONSUMPTION.
- WIDE VIEWING ANGLE.
- IDEAL FOR BACKLIGHT AND INDICATOR.
- VARIOUS COLORS AND LENS TYPES AVAILABLE.
- PACKAGE :2000PCS / REEL.

### Description

The Mega Green source color devices are made with DH InGaAlP on GaAs substrate Light Emitting Diode.

### Package Dimensions



### Notes:

1. All dimensions are in millimeters (inches).
2. Tolerance is  $\pm 0.2$  (0.0079") unless otherwise noted.
3. Specifications are subject to change without notice.

## Selection Guide

| Part No.   | Dice                 | Lens Type   | Iv (mcd)<br>@ 20mA |      | Viewing<br>Angle |
|------------|----------------------|-------------|--------------------|------|------------------|
|            |                      |             | Min.               | Typ. | 2θ1/2            |
| APK3216MGC | MEGA GREEN (InGaAlP) | WATER CLEAR | 50                 | 120  | 90°              |

Note:

1. θ1/2 is the angle from optical centerline where the luminous intensity is 1/2 the optical centerline value.

## Electrical / Optical Characteristics at T<sub>A</sub>=25°C

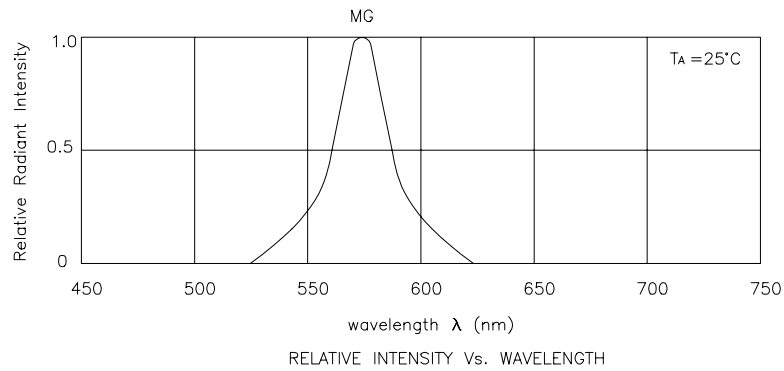
| Symbol            | Parameter                | Device     | Typ. | Max. | Units | Test Conditions           |
|-------------------|--------------------------|------------|------|------|-------|---------------------------|
| λ <sub>peak</sub> | Peak Wavelength          | Mega Green | 574  |      | nm    | I <sub>F</sub> =20mA      |
| λ <sub>D</sub>    | Dominate Wavelength      | Mega Green | 568  |      | nm    | I <sub>F</sub> =20mA      |
| Δλ 1/2            | Spectral Line Half-width | Mega Green | 26   |      | nm    | I <sub>F</sub> =20mA      |
| C                 | Capacitance              | Mega Green | 20   |      | pF    | V <sub>F</sub> =0V;f=1MHz |
| V <sub>F</sub>    | Forward Voltage          | Mega Green | 2.1  | 2.5  | V     | I <sub>F</sub> =20mA      |
| I <sub>R</sub>    | Reverse Current          | Mega Green |      | 10   | μA    | V <sub>R</sub> = 5V       |

## Absolute Maximum Ratings at T<sub>A</sub>=25°C

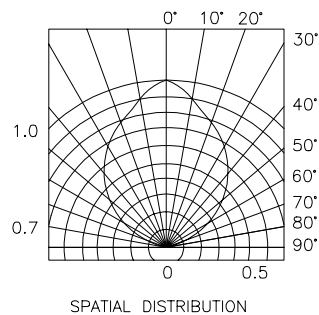
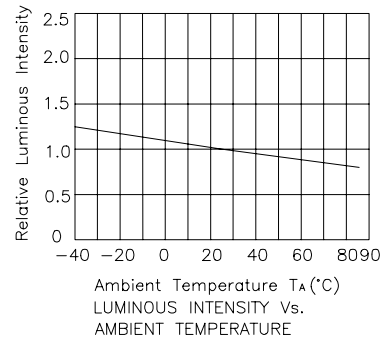
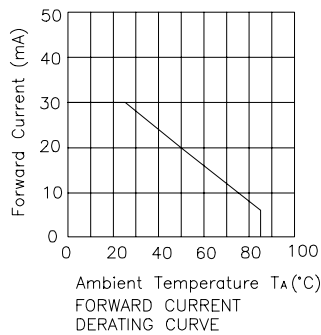
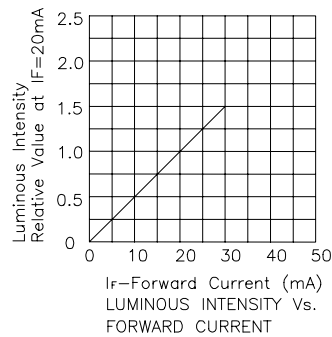
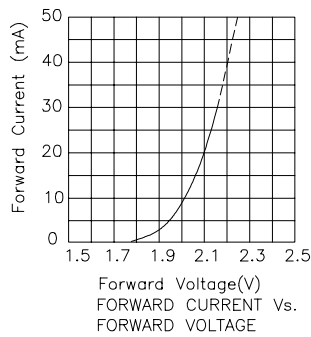
| Parameter                     | Mega Green     | Units |
|-------------------------------|----------------|-------|
| Power dissipation             | 105            | mW    |
| DC Forward Current            | 30             | mA    |
| Peak Forward Current [1]      | 150            | mA    |
| Reverse Voltage               | 5              | V     |
| Operating/Storage Temperature | -40°C To +85°C |       |

Note:

1. 1/10 Duty Cycle, 0.1ms Pulse Width.



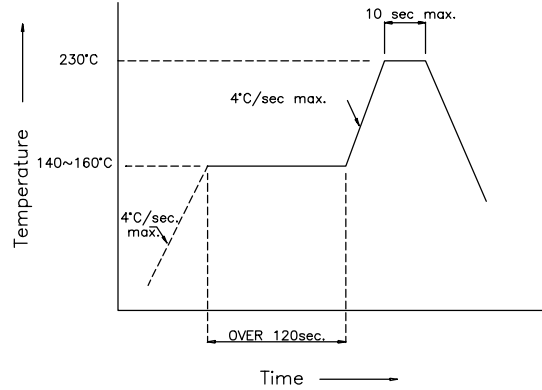
## Mega Green APK3216MGC



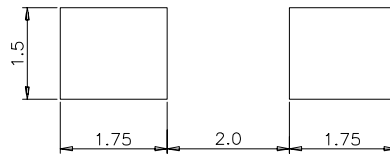
## APK3216MGC

### SMT Reflow Soldering Instructions

Number of reflow process shall be less than 2 times and cooling process to normal temperature is required between first and second soldering process.



### Recommended Soldering Pattern (Units : mm)



### Tape Specifications (Units : mm)

