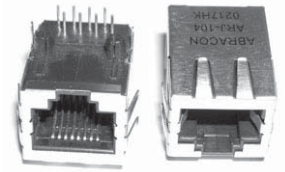


GIGABIT RJ45 LAN MAGNETIC

ARJ-10XX SERIES



FEATURES:

- Low cost 1x1 Tab-Down RJ45
- Available with or without LED
- Suitable CAT 5 & 6 cable and UTP
- Comply IEEE 802.3ab

OPTIONS:

- PVC tube package

APPLICATIONS:

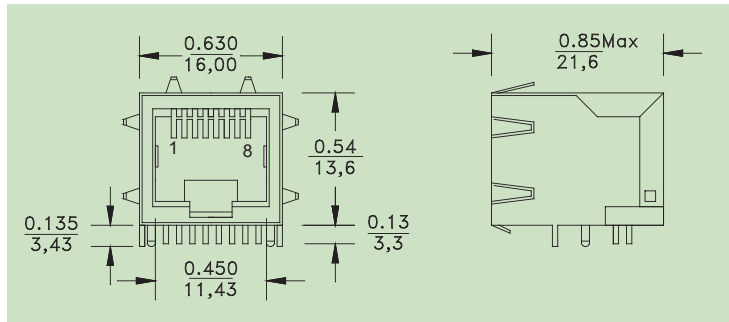
- LAN Magnetic with RJ45
- 1000Base-T Intergrated Magnetic
- NIC, LoM and PC

STANDARD SPECIFICATIONS:

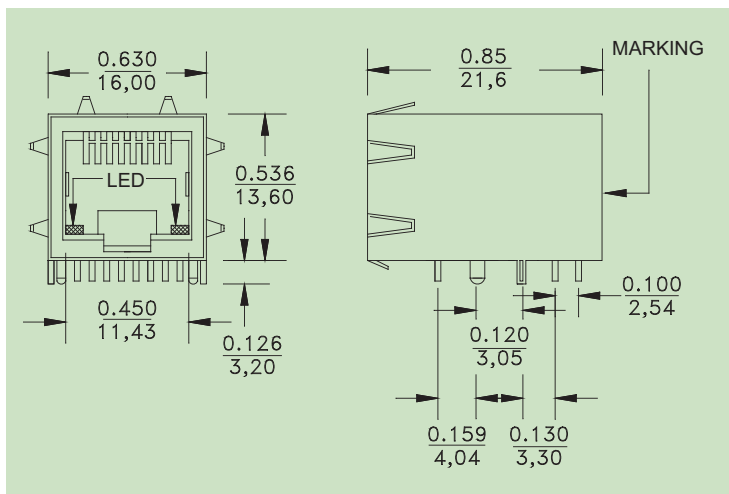
| Part No. | Turns Ratio ($\pm 2\%$) | | Return Loss (dB Min) MHz | | | | CMRR (dB Min) MHz | | | Xtalk (dB Min)MHz | |
|----------|---------------------------|----------|--------------------------|-------|-------|-------|-------------------|-----|-----|-------------------|-------|
| | TX | RX | 1-30 | 40 | 50 | 60-80 | 30 | 60 | 100 | 1-60 | 60-80 |
| ARJ-1001 | 1CT:1CT | 1CT: 1CT | -16 | -13.5 | -11.5 | -10 | -35 | -32 | -30 | -40 | -38 |
| ARJ-1002 | 1CT:1CT | 1CT: 1CT | -16 | -13.5 | -11.5 | -10 | -35 | -32 | -30 | -40 | -38 |
| ARJ-1003 | 1CT:1CT | 1CT: 1CT | -16 | -13.5 | -11.5 | -10 | -35 | -32 | -30 | -40 | -38 |
| ARJ-1004 | 1CT:1CT | 1CT: 1CT | -16 | -13.5 | -11.5 | -10 | -35 | -32 | -30 | -40 | -38 |

| Part No. | Xtalk (dB Min)MHz | | | Schematic |
|----------|-------------------|-----|-----|-----------|
| | 30 | 60 | 100 | |
| ARJ-1001 | -40 | -36 | -30 | A |
| ARJ-1002 | -40 | -36 | -30 | B |
| ARJ-1003 | -40 | -36 | -30 | C |
| ARJ-1004 | -40 | -36 | -30 | D |

DIMENSIONS WITHOUT LED:



DIMENSIONS WITH LED:



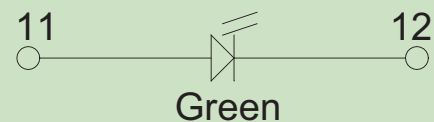
TECHNICAL INFORMATION:

- I.L.: -1.1 dB Max @ 1MHz to 100MHz
- OCL: 350 μ H min @ 100KHz, 0.1V_{RMS} 8mA DC
- Hipot: 1500 V_{RMS} 1 Minute min
- Add D after the part number for with LED
- 2.1V 10mA forward typical
- Operating Temperature: 0°C to +70°C
- Extended temperature subject to request

NOTES:

1. Tolerance comply with F.C.C. dimension requirement
2. Housing material: Glass filled polyester UL94V-0
3. Contact material: Phosphor bronze
t = 0.014 inch / 0.35 mm
4. Plating:
 - a. Contact area selective (30 μ inch) gold plating
 - b. Tail ~150 μ inch tin-lead min over 150 μ inch nickel
5. Operating life: 750 cycles min

Note: All specifications subject to change without notice.



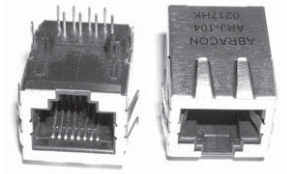
Green



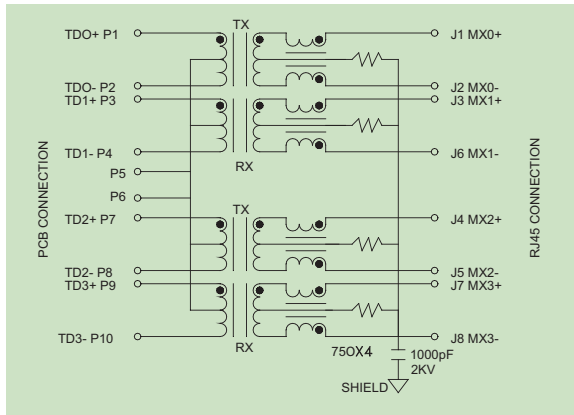
Yellow

GIGABIT RJ45 LAN MAGNETIC

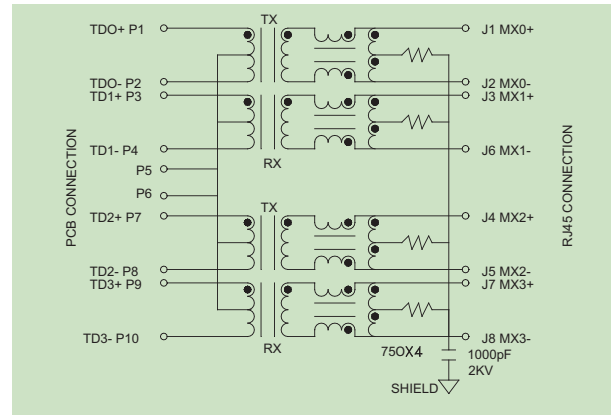
ARJ-10XX SERIES



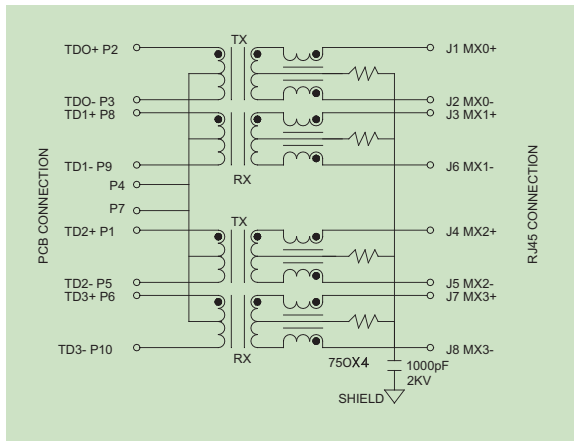
SCHEMATIC A:



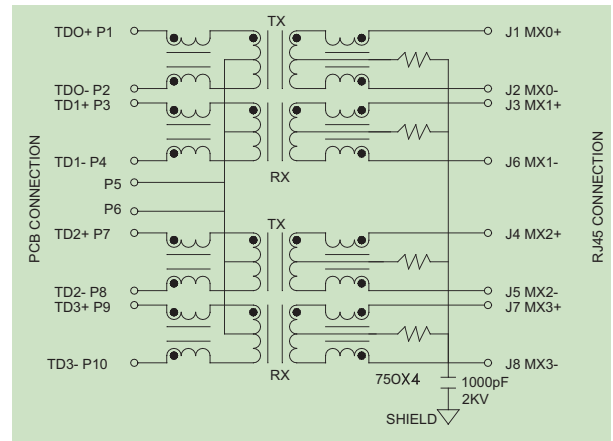
SCHEMATIC C:



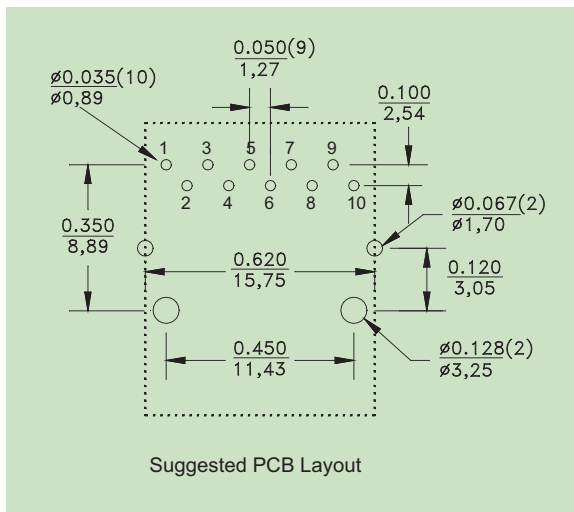
SCHEMATIC B:



SCHEMATIC D:



LANDED PATTERN WITHOUT LED:



LANDED PATTERN WITH LED:

