

INDUSTRIAL GRADE CERAMIC RESONATOR

AWSZT-MW

Pb in ceramic
(exempt per RoHS 2002/95/EC Annex (7))

RoHS
Compliant



4.7 x 4.1 x 1.2 mm

FEATURES:

- Low resonant impedance
- High stability type
- Excellent environmental resistance
- Reflow capable
- Industrial grade
- Built-in load capacitance

APPLICATIONS:

- Remote controls, Microprocessor clocks, Mobile phones, DVD & CD-Roms, Electric appliances, Industrial controllers

ELECTRICAL CHARACTERISTICS:

Item	Requirement
Oscillation Frequency	8.00MHz to 50.00MHz
Resonant Impedance	40Ω max.
Frequency Tolerance and stability	See Table 2.1
Withstanding Voltage	50 (DC , 1 min)
Rating Voltage	
(1) D.C. Voltage	6 V.D.C. max
(2) A.C. Voltage	15 Vp-p. max
Load Capacitance	see Table 2.2
Insulation Resistance	100MΩ min. (100V, 1min)
Operating Temperature	-20°C to +85°C, (see Table 2.1)
Storage Temperature	-55°C to +85°C
Aging Rate (Fosc)	±0.3% max. (10 years)

TABLE 2.1

Part Number (XX.XX denotes frequency in MHz)	Frequency Tolerance at 25°C	Frequency Stability at Operating Temp.	Operating Temperature	Resonant Impedance (Ω) max
AWSZT-XX.XXMWS 8.00 MHz - 13.00 MHz 13.01 MHz - 50.00 MHz	±0.5%	± 0.3%	-25° to +80°C	30
40				
AWSZT-XX.XXMWD 8.00 MHz - 13.00 MHz 13.01 MHz - 50.00 MHz	±0.5%	± 0.5%	-40° to +85°C	30
40				
AWSZT-XX.XXMWA 8.00 MHz - 13.00 MHz 13.01 MHz - 50.00 MHz	±0.5%	± 0.7%	-40° to +125°C	30
40				

TEST CIRCUIT:

Parts shall be tested under a condition (Temp.: 20°C±15°C, Humidity: 65%±20% R.H.) unless the standard condition (Temp.: 25°C±3°C, Humidity: 65%±5% R.H.) is regulated to test.

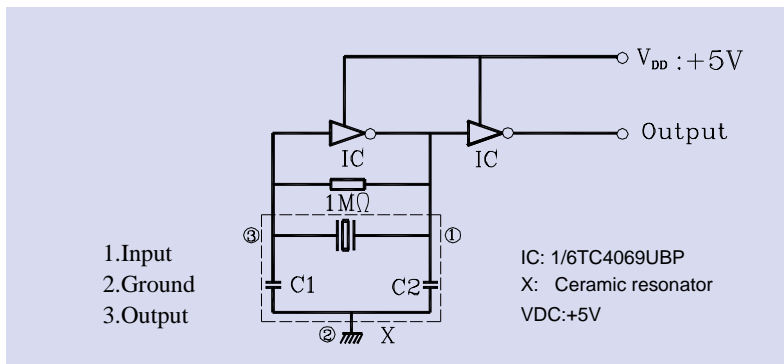


TABLE 2.2

Freq (MHz)	CI=C2 pf (±20%)
8.00~13.00	30
13.01~20.00	30
20.01~25.99	15
26.0~50.00	5

INDUSTRIAL GRADE CERAMIC RESONATOR

AWSZT



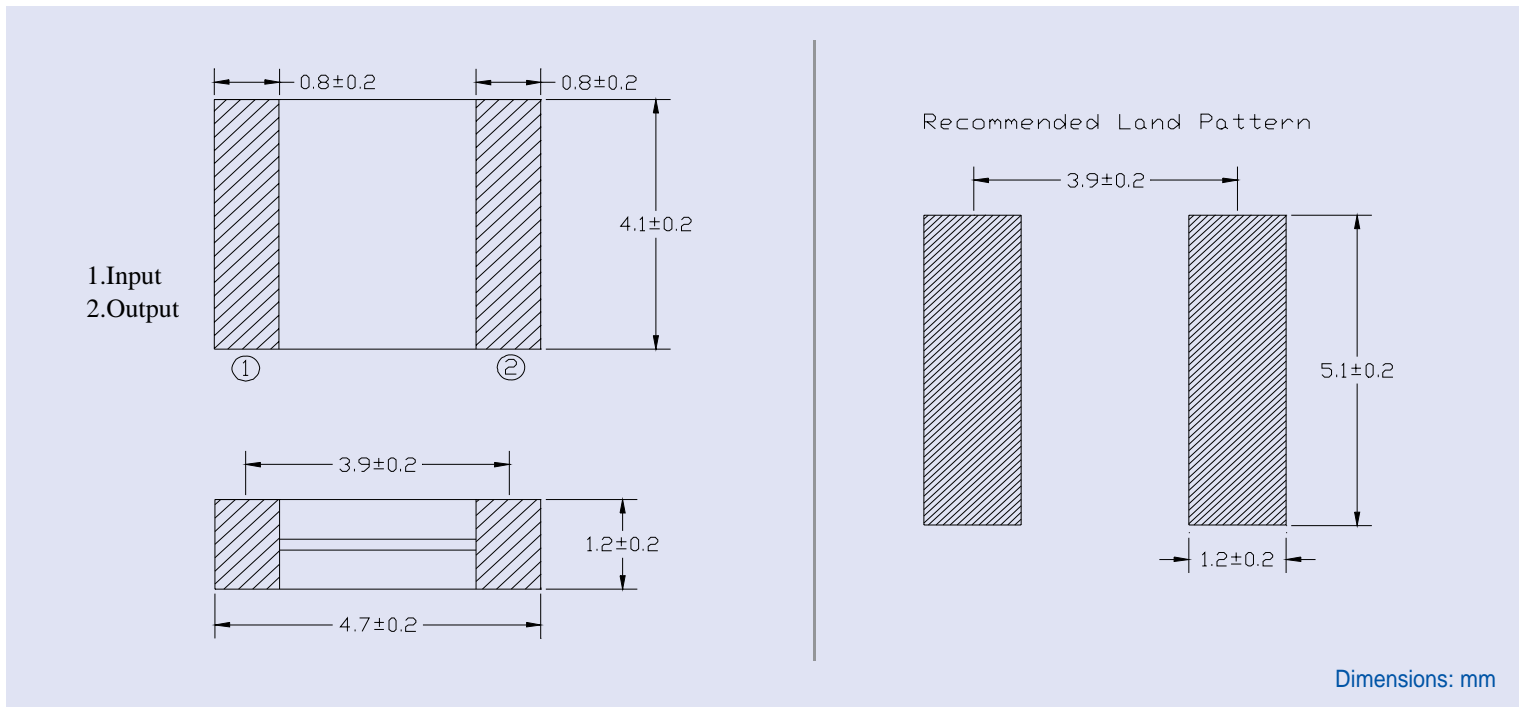
4.7 x 4.1 x 1.2 mm

AWSZT-MW

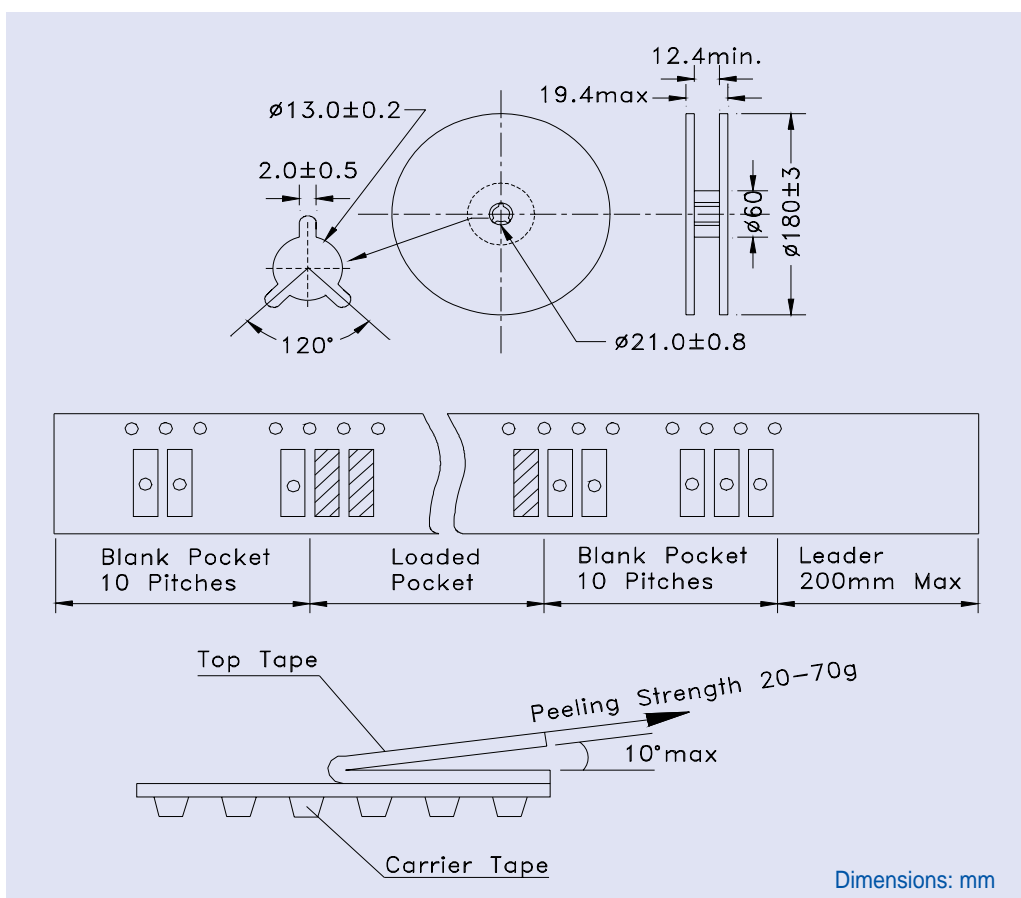
Pb in ceramic
(exempt per RoHS 2002/95/EC Annex (7))

RoHS
Compliant

OUTLINE DRAWING:



TAPE & REEL:



ABRACON IS
ISO 9001 / QS 9000
CERTIFIED



Visit www.abracon.com for Terms & Conditions of Sale **Revised: 07.26.07**
30332 Esperanza, Rancho Santa Margarita, California 92688
tel 949-546-8000 | fax 949-546-8001 | www.abracon.com