

Power line filters for three-phase systems
Rated voltage 440/250 V~, 50/60 Hz
Rated current 65 A

Construction

- Three-line filter
- Metal case

Features

- Extremely saturation-proof chokes
- Optimized for operation under full load with motor cables of up to 500 m total length
- Reduction of voltage ripple between phases
- Up to 12 actuators

Applications

- AFE frequency converters for motor drives, e.g.
 - textile machines
 - conveyor systems
 - machine tools
- For suppliers and energy recovery
- For further information refer to chapter “Application notes”, [page 92](#)

Terminals

- Safe-to-touch terminal blocks

Marking

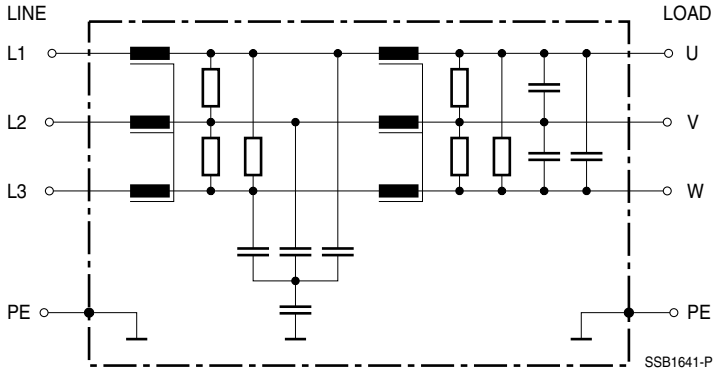
Marking on component:

Manufacturer's logo, ordering code,
rated current, rated voltage,
rated temperature, date code,
terminal assignment, safety approvals

Minimum marking on packaging:

Manufacturer's logo, ordering code



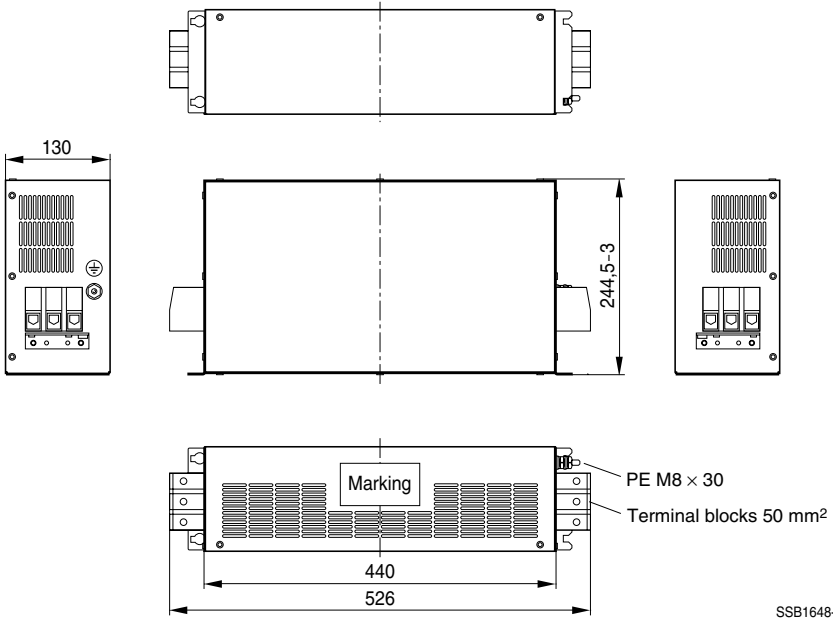
Circuit diagram

Technical data

Rated voltage V_R	440/250 V~, 50/60 Hz
Rated current I_R	referred to 40 °C ambient temperature
Test voltage V_P	930 V~, 2 s (line/line) 2700 V~, 2 s (lines/case)
Overload capability	1,5 · I_R for 3 min per hour or 2,5 · I_R für 30 s per hour
Leakage current I_{leak}	at 400 V~, 50 Hz
Climatic category	25/085/21 (– 25 °C/+ 85 °C/21 days damp heat test) in accordance with EN 60068-1

Characteristics and ordering codes

I_R	Terminal cross section mm ²	I_{leak} mA	R_{typ} mΩ	Approx. weight kg	Ordering code
A	50	< 300	8,5	30	upon request

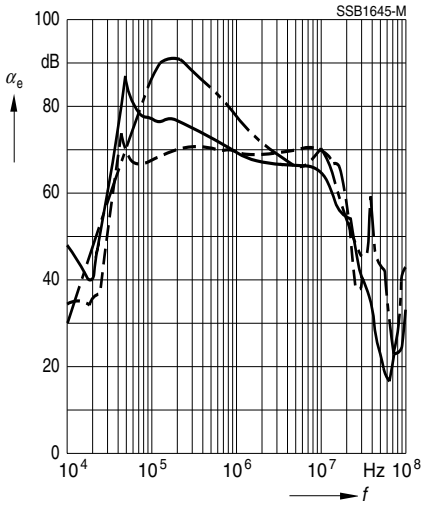
Dimensional drawing



SSB1648-C

Insertion loss (typical values at $Z = 50 \Omega$)

- unsymmetrical, adjacent branches terminated
- - - - - asymmetrical, all branches in parallel (common mode)
- - - - - symmetrical (differential mode)



Herausgegeben von EPCOS AG

Marketing Kommunikation, Postfach 80 17 09, 81617 München, DEUTSCHLAND

© EPCOS AG 2000. Alle Rechte vorbehalten. Vervielfältigung, Veröffentlichung, Verbreitung und Verwertung dieser Broschüre und ihres Inhalts ohne ausdrückliche Genehmigung der EPCOS AG nicht gestattet.

Mit den Angaben in dieser Broschüre werden die Bauelemente spezifiziert, keine Eigenschaften zugesichert. Bestellungen unterliegen den vom ZVEI empfohlenen Allgemeinen Lieferbedingungen für Erzeugnisse und Leistungen der Elektroindustrie, soweit nichts anderes vereinbart wird.

Diese Broschüre ersetzt die vorige Ausgabe.

Fragen über Technik, Preise und Liefermöglichkeiten richten Sie bitte an den Ihnen nächstgelegenen Vertrieb der EPCOS AG oder an unsere Vertriebsgesellschaften im Ausland.

Bauelemente können aufgrund technischer Erfordernisse Gefahrstoffe enthalten. Auskünfte darüber bitten wir unter Angabe des betreffenden Typs ebenfalls über die zuständige Vertriebsgesellschaft einzuholen.

Published by EPCOS AG

Marketing Communications, P.O. Box 80 17 09, 81617 Munich, GERMANY

© EPCOS AG 2000. All Rights Reserved. Reproduction, publication and dissemination of this brochure and the information contained therein without EPCOS' prior express consent is prohibited.

The information contained in this brochure describes the type of component and shall not be considered as guaranteed characteristics. Purchase orders are subject to the General Conditions for the Supply of Products and Services of the Electrical and Electronics Industry recommended by the ZVEI (German Electrical and Electronic Manufacturers' Association), unless otherwise agreed.

This brochure replaces the previous edition.

For questions on technology, prices and delivery please contact the Sales Offices of EPCOS AG or the international Representatives.

Due to technical requirements components may contain dangerous substances. For information on the type in question please also contact one of our Sales Offices.