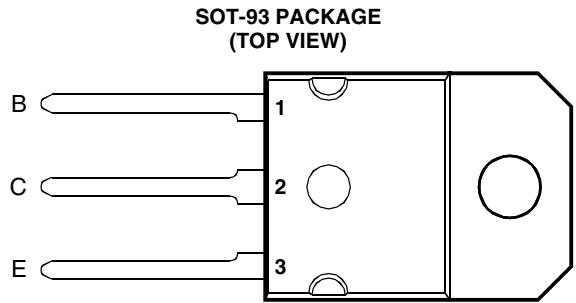


- Rugged Triple-Diffused Planar Construction
- 15 A Continuous Collector Current
- 1000 Volt Blocking Capability



Pin 2 is in electrical contact with the mounting base.

MDTRAAA

**absolute maximum ratings at 25°C case temperature (unless otherwise noted)**

RATING		SYMBOL	VALUE	UNIT
Collector-emitter voltage ( $V_{BE} = 0$ V)	BUV48	$V_{CES}$	850	V
	BUV48A		1000	
Collector-emitter voltage ( $R_{BE} = 10 \Omega$ )	BUV48	$V_{CER}$	850	V
	BUV48A		1000	
Collector-emitter voltage ( $I_B = 0$ )	BUV48	$V_{CEO}$	400	V
	BUV48A		450	
Continuous collector current		$I_C$	15	A
Peak collector current (see Note 1)		$I_{CM}$	30	A
Continuous base current		$I_B$	4	A
Peak base current		$I_{BM}$	20	A
Non repetitive accidental peak surge current		$I_{CSM}$	55	A
Continuous device dissipation at (or below) 25°C case temperature		$P_{tot}$	125	W
Operating junction temperature range		$T_j$	-65 to +150	°C
Storage temperature range		$T_{stg}$	-65 to +150	°C

NOTE 1: This value applies for  $t_p \leq 2$  ms, duty cycle  $\leq 2\%$ .

**PRODUCT INFORMATION**

**electrical characteristics at 25°C case temperature (unless otherwise noted)**

PARAMETER	TEST CONDITIONS	MIN	TYP	MAX	UNIT
$V_{CE(sus)}$ Collector-emitter sustaining voltage	$I_C = 200\text{ mA}$ $L = 25\text{ mH}$ (see Note 2) BUV48 BUV48A	400 450			V
$I_{CES}$ Collector-emitter cut-off current	$V_{CE} = 850\text{ V}$ $V_{BE} = 0$ BUV48 $V_{CE} = 1000\text{ V}$ $V_{BE} = 0$ BUV48A $V_{CE} = 850\text{ V}$ $V_{BE} = 0$ $T_C = 125^\circ\text{C}$ BUV48 $V_{CE} = 1000\text{ V}$ $V_{BE} = 0$ $T_C = 125^\circ\text{C}$ BUV48A			0.2 0.2 2.0 2.0	mA
$I_{CER}$ Collector-emitter cut-off current	$V_{CE} = 850\text{ V}$ $R_{BE} = 10\ \Omega$ BUV48 $V_{CE} = 1000\text{ V}$ $R_{BE} = 10\ \Omega$ BUV48A $V_{CE} = 850\text{ V}$ $R_{BE} = 10\ \Omega$ $T_C = 125^\circ\text{C}$ BUV48 $V_{CE} = 1000\text{ V}$ $R_{BE} = 10\ \Omega$ $T_C = 125^\circ\text{C}$ BUV48A			0.5 0.5 4.0 4.0	mA
$I_{EBO}$ Emitter cut-off current	$V_{EB} = 5\text{ V}$ $I_C = 0$			1	mA
$V_{EBO}$ Emitter-base breakdown voltage	$I_E = 50\text{ mA}$ $I_C = 0$	7		30	V
$V_{CE(sat)}$ Collector-emitter saturation voltage	$I_B = 2\text{ A}$ $I_C = 10\text{ A}$ BUV48 $I_B = 3\text{ A}$ $I_C = 15\text{ A}$ BUV48 $I_B = 1.6\text{ A}$ $I_C = 8\text{ A}$ BUV48A $I_B = 2.4\text{ A}$ $I_C = 12\text{ A}$ BUV48A (see Notes 3 and 4)			1.5 5.0 1.5 5.0	V
$V_{BE(sat)}$ Base-emitter saturation voltage	$I_B = 2\text{ A}$ $I_C = 10\text{ A}$ BUV48 $I_B = 1.6\text{ A}$ $I_C = 8\text{ A}$ BUV48A (see Notes 3 and 4)			1.6 1.6	V
$f_t$ Current gain bandwidth product	$V_{CE} = 10\text{ V}$ $I_C = 0.5\text{ A}$ $f = 1\text{ MHz}$		10		MHz
$C_{ob}$ Output capacitance	$V_{CB} = 20\text{ V}$ $I_C = 0$ $f = 1\text{ MHz}$		150		pF

NOTES: 2. Inductive loop switching measurement.  
 3. These parameters must be measured using pulse techniques,  $t_p = 300\ \mu\text{s}$ , duty cycle  $\leq 2\%$ .  
 4. These parameters must be measured using voltage-sensing contacts, separate from the current carrying contacts.

**thermal characteristics**

PARAMETER	MIN	TYP	MAX	UNIT
$R_{\theta JC}$ Junction to case thermal resistance			1	°C/W

**resistive-load-switching characteristics at 25°C case temperature**

PARAMETER	TEST CONDITIONS †	MIN	TYP	MAX	UNIT
$t_{on}$ Turn on time	$I_C = 10\text{ A}$ $V_{CC} = 150\text{ V}$ BUV48 $I_{B(on)} = 2\text{ A}$ $I_{B(off)} = -2\text{ A}$ (see Figures 1 and 2)			1.0	$\mu\text{s}$
$t_s$ Storage time				3.0	$\mu\text{s}$
$t_f$ Fall time				0.8	$\mu\text{s}$
$t_{on}$ Turn on time	$I_C = 8\text{ A}$ $V_{CC} = 150\text{ V}$ BUV48A $I_{B(on)} = 1.6\text{ A}$ $I_{B(off)} = -1.6\text{ A}$ (see Figures 1 and 2)			1.0	$\mu\text{s}$
$t_s$ Storage time				3.0	$\mu\text{s}$
$t_f$ Fall time				0.8	$\mu\text{s}$

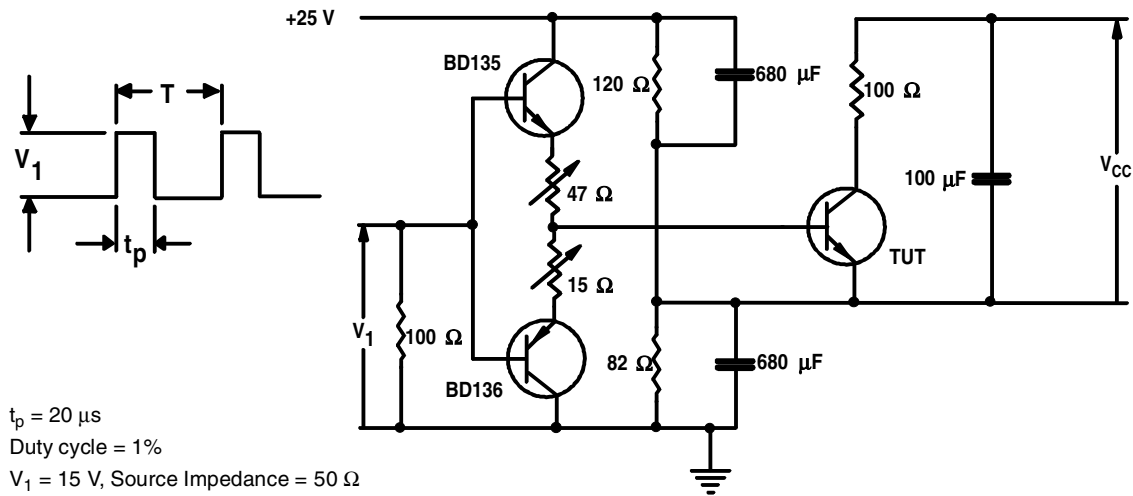
† Voltage and current values shown are nominal; exact values vary slightly with transistor parameters.

**inductive-load-switching characteristics at 100°C case temperature**

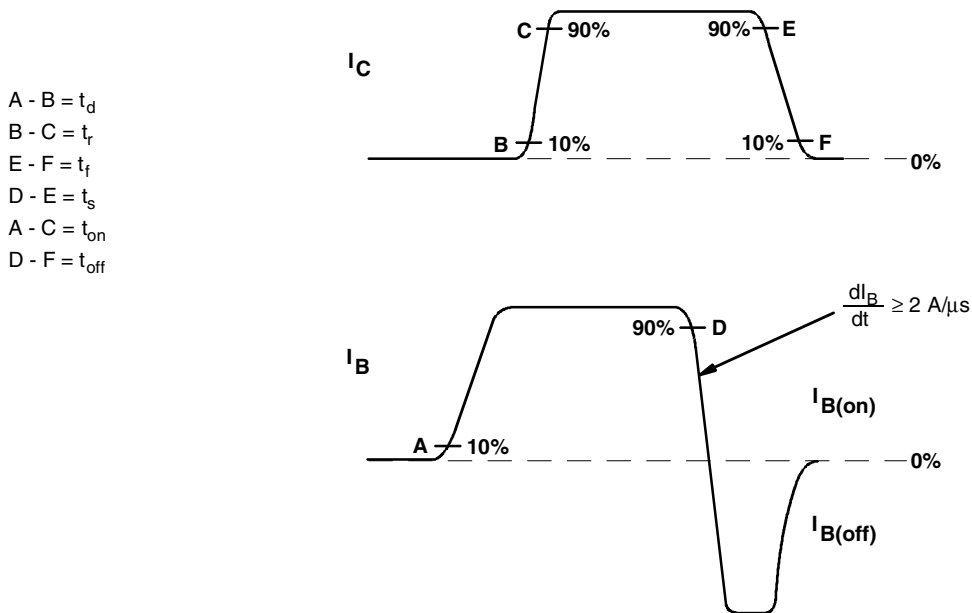
PARAMETER	TEST CONDITIONS †	MIN	TYP	MAX	UNIT
$t_{sv}$ Voltage storage time	$I_C = 10\text{ A}$ $I_{B(on)} = 2\text{ A}$ BUV48 $V_{BE(off)} = -5\text{ V}$ (see Figures 3 and 4)			4.0	$\mu\text{s}$
$t_{fi}$ Current fall time				0.4	$\mu\text{s}$
$t_{sv}$ Voltage storage time	$I_C = 8\text{ A}$ $I_{B(on)} = 1.6\text{ A}$ BUV48A $V_{BE(off)} = -5\text{ V}$ (see Figures 3 and 4)			4.0	$\mu\text{s}$
$t_{fi}$ Current fall time				0.4	$\mu\text{s}$

**PRODUCT INFORMATION**

**PARAMETER MEASUREMENT INFORMATION**



**Figure 1. Resistive-Load Switching Test Circuit**

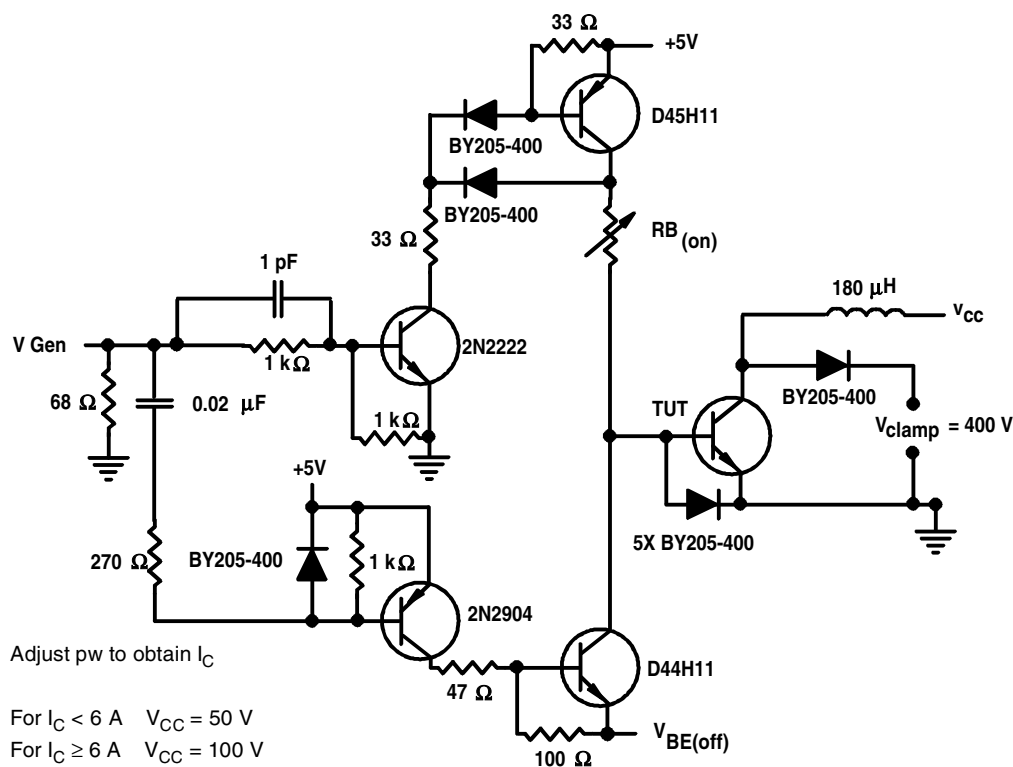


**Figure 2. Resistive-Load Switching Waveforms**

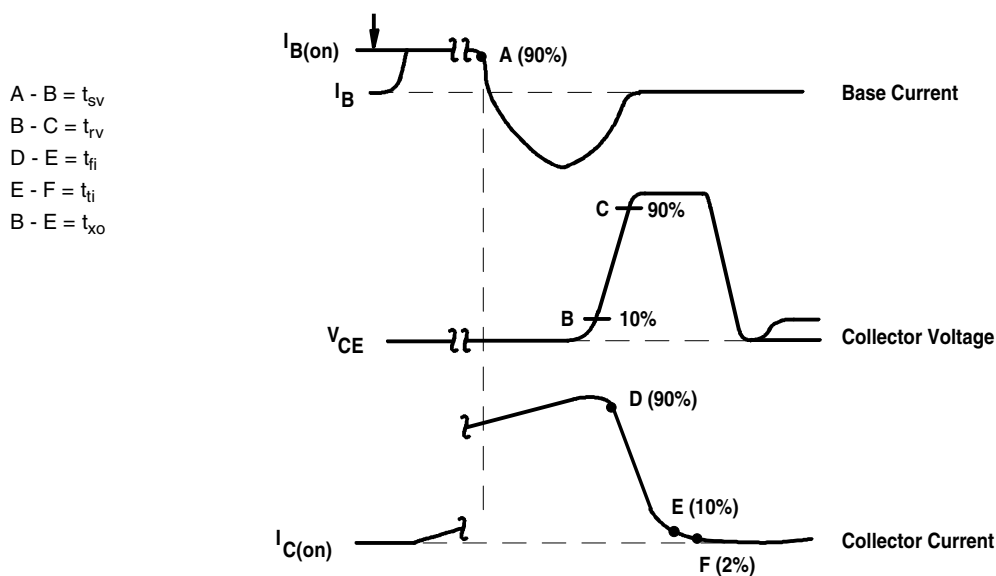
**PRODUCT INFORMATION**

AUGUST 1978 - REVISED SEPTEMBER 2002  
 Specifications are subject to change without notice.

**PARAMETER MEASUREMENT INFORMATION**



**Figure 3. Inductive-Load Switching Test Circuit**



NOTES: A. Waveforms are monitored on an oscilloscope with the following characteristics:  $t_r < 15 \text{ ns}$ ,  $R_{in} > 10 \Omega$ ,  $C_{in} < 11.5 \text{ pF}$ .  
 B. Resistors must be noninductive types.

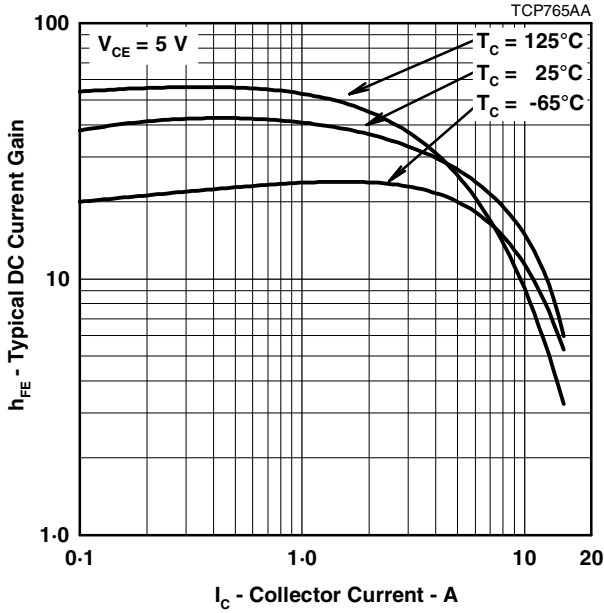
**Figure 4. Inductive-Load Switching Waveforms**

**PRODUCT INFORMATION**

AUGUST 1978 - REVISED SEPTEMBER 2002  
 Specifications are subject to change without notice.

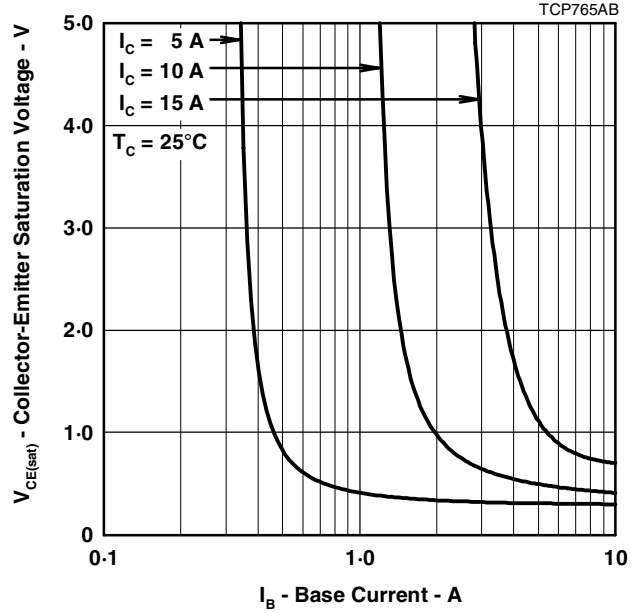
**TYPICAL CHARACTERISTICS**

**TYPICAL DC CURRENT GAIN  
VS  
COLLECTOR CURRENT**



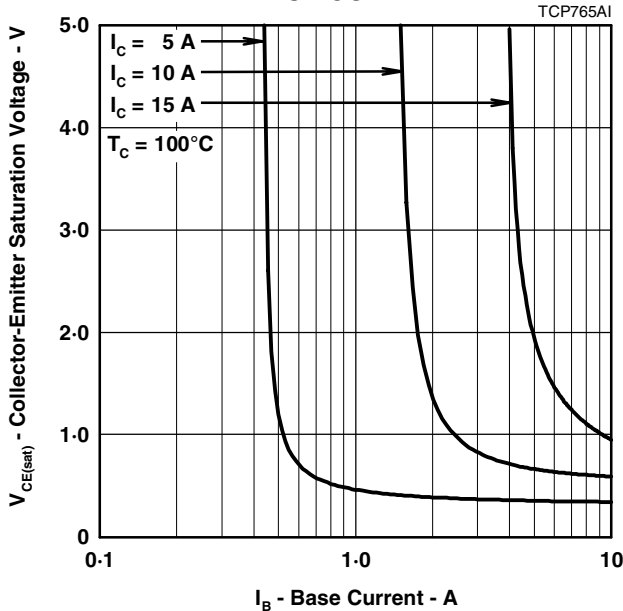
**Figure 5.**

**COLLECTOR-EMITTER SATURATION VOLTAGE  
VS  
BASE CURRENT**



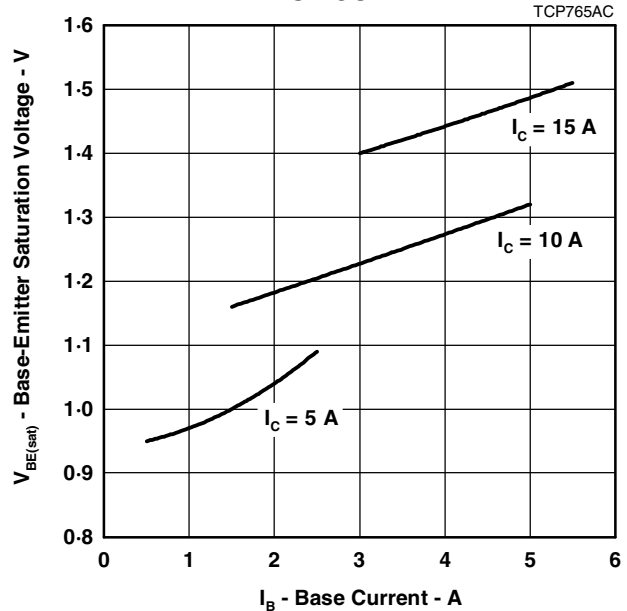
**Figure 6.**

**COLLECTOR-EMITTER SATURATION VOLTAGE  
VS  
BASE CURRENT**



**Figure 7.**

**BASE-EMITTER SATURATION VOLTAGE  
VS  
BASE CURRENT**



**Figure 8.**

**PRODUCT INFORMATION**

AUGUST 1978 - REVISED SEPTEMBER 2002  
 Specifications are subject to change without notice.

TYPICAL CHARACTERISTICS

COLLECTOR CUT-OFF CURRENT  
VS  
CASE TEMPERATURE

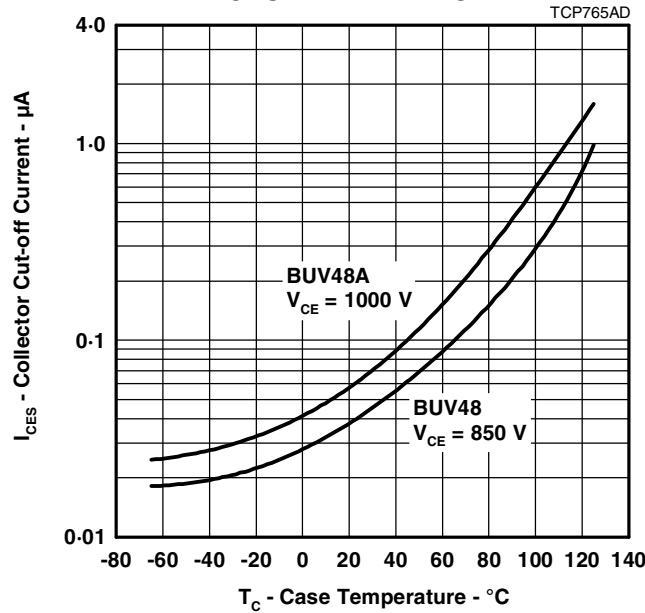


Figure 9.

MAXIMUM SAFE OPERATING REGIONS

MAXIMUM FORWARD-BIAS  
SAFE OPERATING AREA

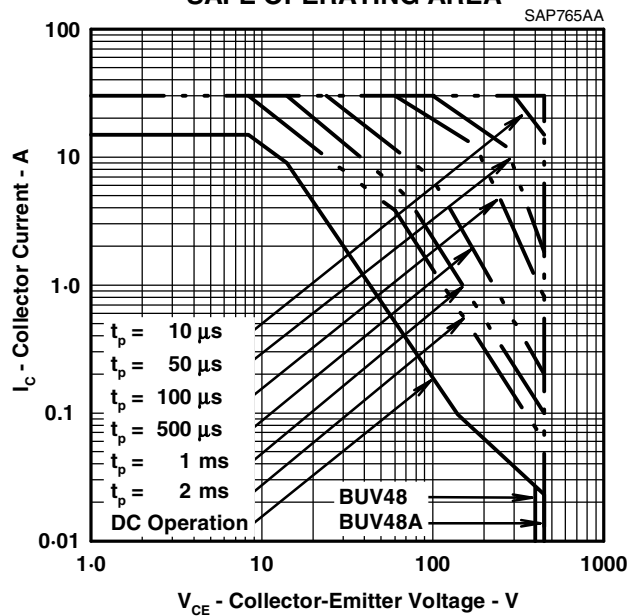


Figure 10.

**PRODUCT INFORMATION**

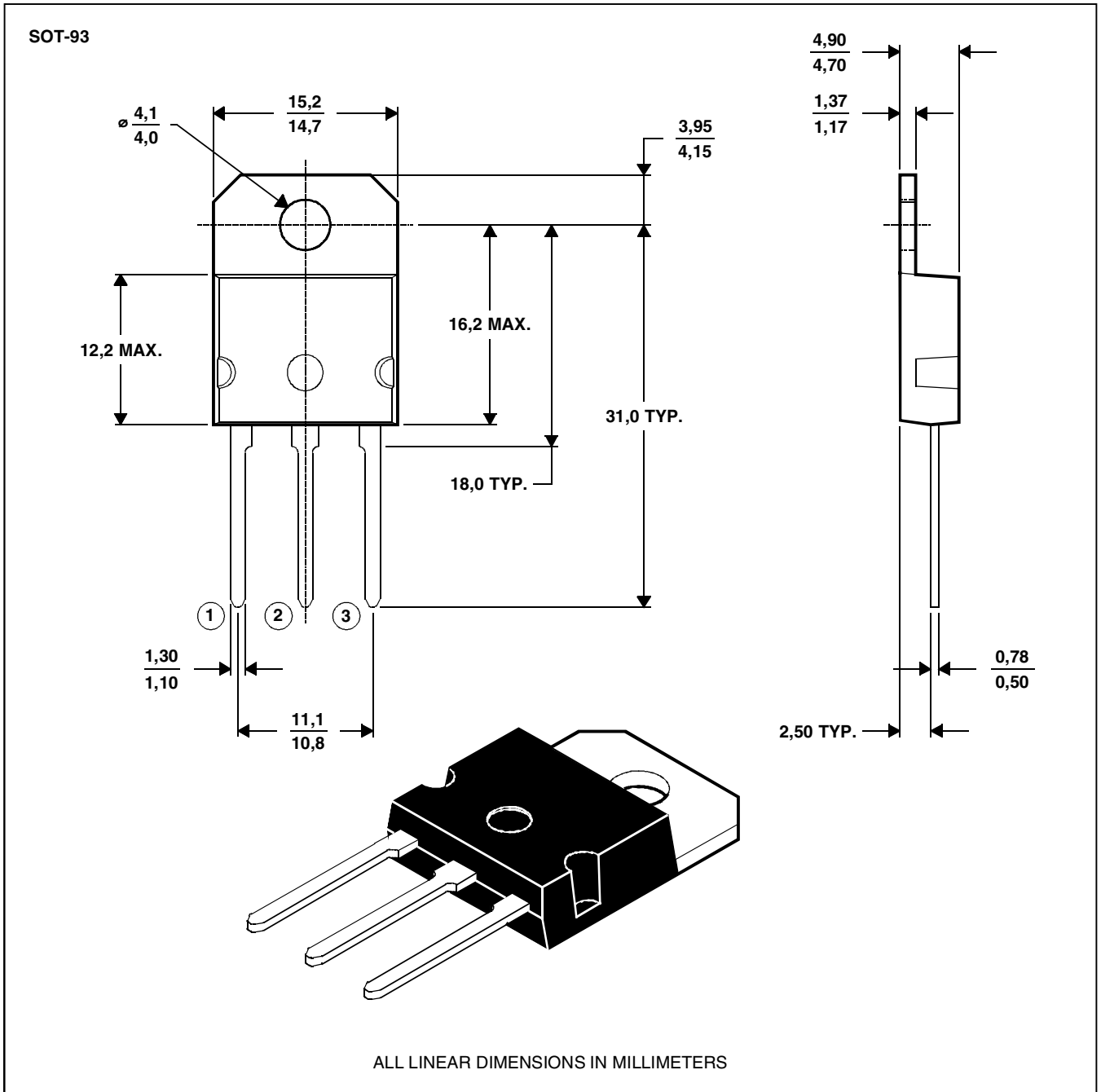
AUGUST 1978 - REVISED SEPTEMBER 2002  
Specifications are subject to change without notice.

**MECHANICAL DATA**

**SOT-93**

**3-pin plastic flange-mount package**

This single-in-line package consists of a circuit mounted on a lead frame and encapsulated within a plastic compound. The compound will withstand soldering temperature with no deformation, and circuit performance characteristics will remain stable when operated in high humidity conditions. Leads require no additional cleaning or processing when used in soldered assembly.



NOTE A: The centre pin is in electrical contact with the mounting tab.

MDXXAW

**PRODUCT INFORMATION**

AUGUST 1978 - REVISED SEPTEMBER 2002  
Specifications are subject to change without notice.