

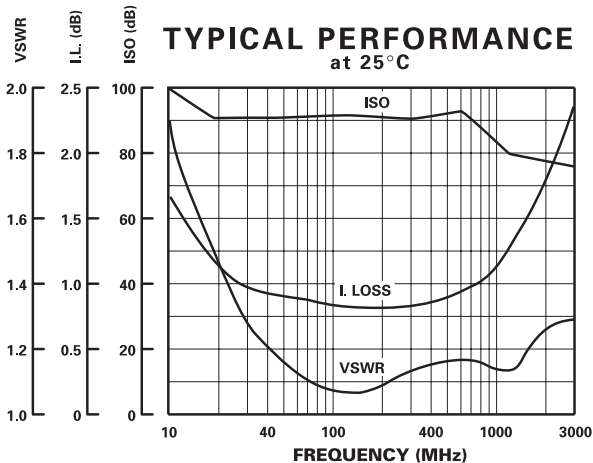
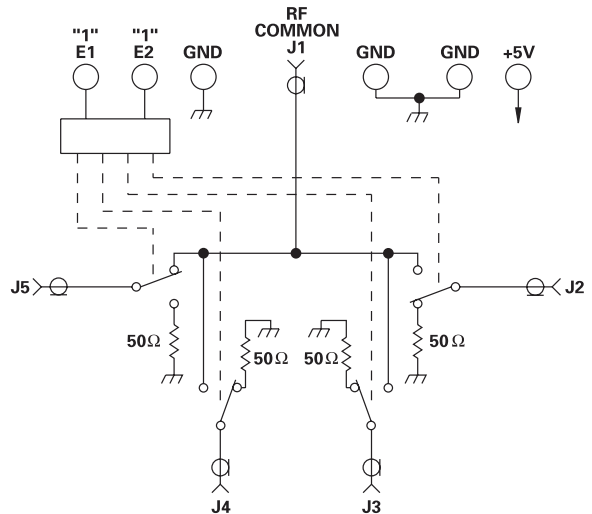
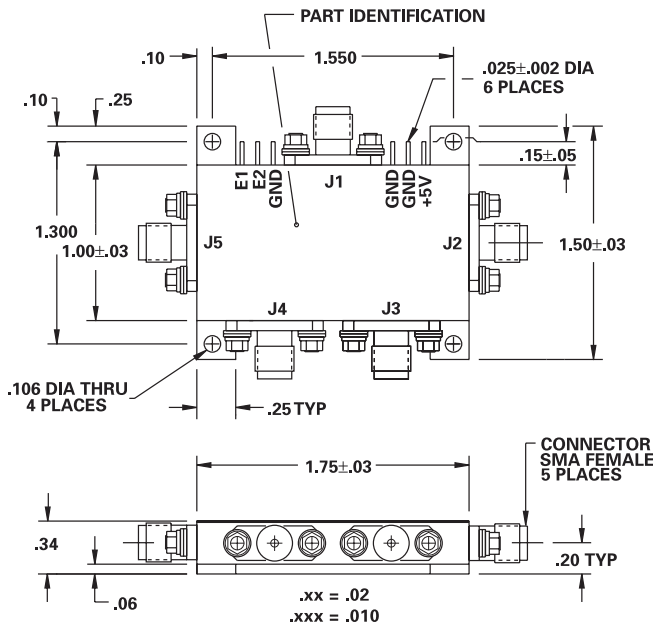
# MODEL NUMBER CDS0670

# PIN Diode SP4T

## FEATURES

- 100 - 2000 MHz
- 80 dB Isolation
- TTL BCD Control
- Non-Reflective
- Replaceable SMA Connectors

## SP4T



LOGIC TABLE		
E2	E1	RF PATH
0	0	J1-J2
0	1	J1-J3
1	0	J1-J4
1	1	J1-J5

## GUARANTEED PERFORMANCE

Parameter	Min	Typ	Max	Units	Conditions
Operating Frequency	100		2000	MHz	
DC Current		30	40	mA	At +5 VDC Supply
Control Type		TTL			2 Line, See Logic Chart
Control Current		1	20	μA	VIH = +2.7V
		-0.2	-0.4	mA	VIL = +0.5V
Insertion Loss		1.3	1.8	dB	100 - 1000 MHz
		1.8	2.5	dB	1000 - 2000 MHz
Isolation	80	87		dB	100 - 1000 MHz
	65	75		dB	1000 - 2000 MHz
VSWR		1.17/1	1.35/1		
		1.26/1	1.35/1		
Impedance		50		OHMS	
Switching Speed		210	500	nSEC	50% TTL to 90% / 10% RF
Transition (Rise/Fall) Time		30		nSEC	90% / 10% or 10% / 90% RF
Switching (Video) Transients		600		mV	Peak Value
Intercept Points		+67		dBm	350 MHz / 100 MHz
		+39		dBm	175 MHz / 100 MHz
RF Power		+15	+10	dBm	100 - 500 MHz
		+25	+20	dBm	500 - 2000 MHz
			+27	dBm	
Operating Temperature	-55	+25	+125	°C	TA



DAICO Industries

310.507.3242 • FAX 310.507.5701 • www.daico.com