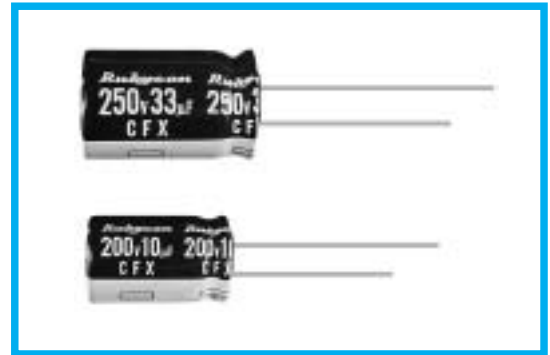


CFX SERIES
Load Life: 105°C 5000 Hours.
◆FEATURES

- High Ripple Current
- For Electronic Ballast, Power Supply
- RoHS compliance.


◆SPECIFICATIONS

Items	Characteristics		
Category Temperature Range	-25~+105°C		
Rated Voltage Range	200~400V.DC		
Capacitance Tolerance	±20% (20°C, 120Hz)		
Leakage Current(MAX)	CV ≤ 1000	CV > 1000	I=Leakage Current(μA) C=Rated Capacitance(μF) V=Rated Voltage(V)
	I=0.1CV+40μA (1 minute) I=0.03CV+15μA (5 minute)	I=0.04CV+100μA (1 minute) I=0.02CV+25μA (5 minute)	
Dissipation Factor(MAX) (tan δ)	Rated Voltage (V)	200 250 350 400	(20°C, 120Hz)
	tan δ	0.15 0.15 0.20 0.20	
Endurance	After applying rated voltage with rated ripple current for 5000 hrs at 105°C, the capacitors shall meet the following requirements.		
	Capacitance Change	Within ±20% of the initial value.	
	Dissipation Factor	Not more than 200% of the specified value.	
Low Temperature Stability Impedance Ratio(MAX)	Rated Voltage (V)	200 250 350 400	(120Hz)
	Z(-25°C)/Z(20°C)	3 3 6 6	

◆MULTIPLIER FOR RIPPLE CURRENT

Frequency coefficient

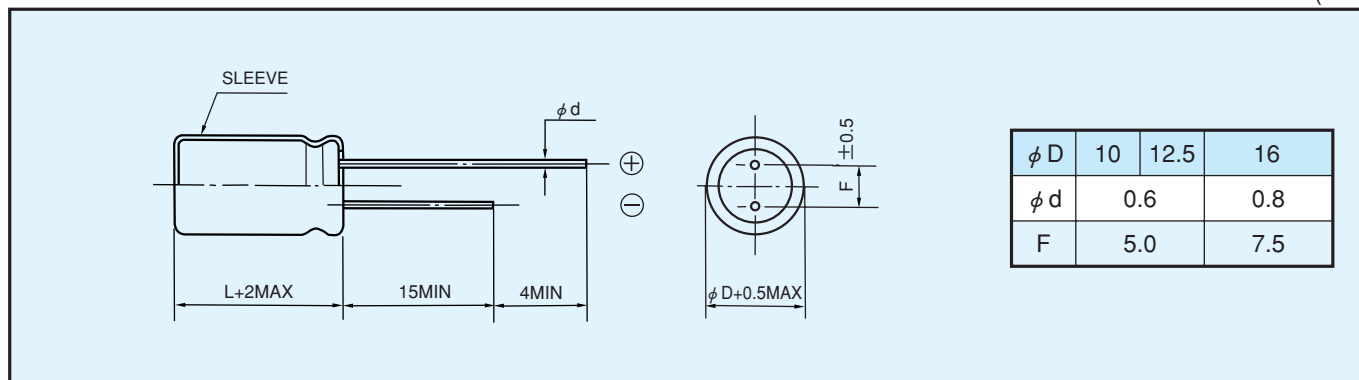
Frequency (Hz)	120	1k	10k	≥100k
2.2~4.7 μF	0.2	0.4	0.8	1.0
6.8~10 μF	0.3	0.6	0.9	1.0
22~100 μF	0.5	0.8	0.9	1.0

◆PART NUMBER

□□□	CFX	□□□□□	□	□□□	□□	D×L
Rated Voltage	Series	Rated Capacitance	Capacitance Tolerance	Option	Lead Forming	Case Size

◆ DIMENSIONS

(mm)


◆ STANDARD SIZE, RATED RIPPLE CURRENT

 Size $\phi D \times L$ (mm), Ripple Current (mA r.m.s./105°C, 100kHz)

WV (V.DC) Cap (μF)	200V (2D)		250V (2E)	
	Size	Ripple	Size	Ripple
10	10×16	300	10×16	300
22	10×16	360	10×20	500
33	10×20	500	12.5×20	600
47	12.5×20	660	12.5×25	720
68	12.5×25	760	16×25	920
100	16×25	1120		

WV (V.DC) Cap (μF)	350V (2V)		400V (2G)	
	Size	Ripple	Size	Ripple
2.2			10×16	160
3.3	10×16	180	10×16	180
4.7	10×16	220	10×16	220
6.8	10×16	220	10×16	220
10	10×20	280	10×20	280
22	12.5×20	350	12.5×25	430
33	12.5×25	430	16×25	640
47	16×25	660		