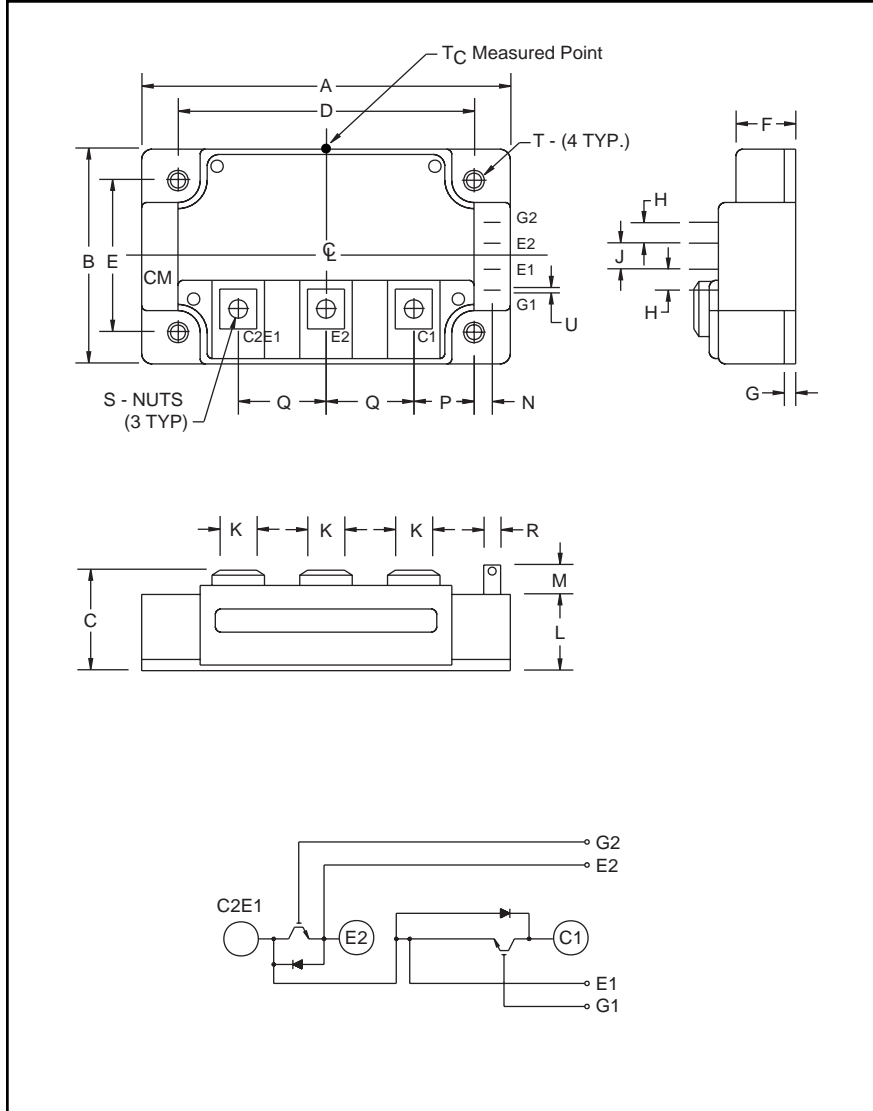


Dual IGBTMOD™ KA-Series Module 100 Amperes/1700 Volts



Outline Drawing and Circuit Diagram

Dimensions	Inches	Millimeters
A	4.25	108.0
B	2.44	62.0
C	1.14 +0.04/-0.02	29.0 +1.0/-0.5
D	3.66±0.01	93.0±0.25
E	1.88±0.01	48.0±0.25
F	0.67	17.0
G	0.16	4.0
H	0.24	6.0
J	0.59	15.0
K	0.55	14.0

Dimensions	Inches	Millimeters
L	0.87	22.0
M	0.33	8.5
N	0.10	2.5
P	0.85	21.5
Q	0.98	25.0
R	0.11	2.8
S	M6	M6
T	0.26 Dia.	6.5 Dia.
U	0.02	0.5



Description:

Powerex IGBTMOD™ Modules are designed for use in switching applications. Each module consists of two IGBT Transistors in a half-bridge configuration with each transistor having a reverse-connected super-fast recovery free-wheel diode. All components and interconnects are isolated from the heat sinking baseplate, offering simplified system assembly and thermal management.

Features:

- Low Drive Power
- Low $V_{CE(sat)}$
- Discrete Super-Fast Recovery Free-Wheel Diode
- Isolated Baseplate for Easy Heat Sinking

Applications:

- AC Motor Control
- Motion/Servo Control
- UPS
- Welding Power Supplies
- Laser Power Supplies

Ordering Information:

Example: Select the complete module number you desire from the table - i.e. CM100DU-34KA is a 1700V (V_{CES}), 100 Ampere Dual IGBTMOD™ Power Module.

Type	Current Rating Amperes	V_{CES} Volts (x 50)
CM	100	34



Powerex, Inc., 200 E. Hillis Street, Youngwood, Pennsylvania 15697-1800 (724) 925-7272

CM100DU-34KA
Dual IGBTMOD™ KA-Series Module
 100 Amperes/1700 Volts

Absolute Maximum Ratings, $T_j = 25\text{ }^\circ\text{C}$ unless otherwise specified

Ratings	Symbol	CM100DU-34KA	Units
Junction Temperature	T_j	-40 to 150	$^\circ\text{C}$
Storage Temperature	T_{stg}	-40 to 125	$^\circ\text{C}$
Collector-Emitter Voltage (G-E SHORT)	V_{CES}	1700	Volts
Gate-Emitter Voltage (C-E SHORT)	V_{GES}	± 20	Volts
Collector Current ($T_c = 25^\circ\text{C}$)	I_C	100	Amperes
Peak Collector Current ($T_j \leq 150^\circ\text{C}$)	I_{CM}	200*	Amperes
Emitter Current** ($T_c = 25^\circ\text{C}$)	I_E	100	Amperes
Peak Emitter Current**	I_{EM}	200*	Amperes
Maximum Collector Dissipation ($T_c = 25^\circ\text{C}$)	P_C	890	Watts
Mounting Torque, M6 Main Terminal	-	40	in-lb
Mounting Torque, M6 Mounting	-	40	in-lb
Weight	-	400	Grams
Isolation Voltage (Main Terminal to Baseplate, AC 1 min.)	V_{iso}	3500	Volts

* Pulse width and repetition rate should be such that the device junction temperature (T_j) does not exceed $T_{j(max)}$ rating.

**Represents characteristics of the anti-parallel, emitter-to-collector free-wheel diode (FWDi).

Static Electrical Characteristics, $T_j = 25\text{ }^\circ\text{C}$ unless otherwise specified

Characteristics	Symbol	Test Conditions	Min.	Typ.	Max.	Units
Collector-Cutoff Current	I_{CES}	$V_{CE} = V_{CES}, V_{GE} = 0V$	-	-	1	mA
Gate Leakage Current	I_{GES}	$V_{GE} = V_{GES}, V_{CE} = 0V$	-	-	0.5	μA
Gate-Emitter Threshold Voltage	$V_{GE(th)}$	$I_C = 10\text{mA}, V_{CE} = 10V$	4.0	5.5	7.0	Volts
Collector-Emitter Saturation Voltage	$V_{CE(sat)}$	$I_C = 100\text{A}, V_{GE} = 15V, T_j = 25^\circ\text{C}$	-	3.2	4.0	Volts
		$I_C = 100\text{A}, V_{GE} = 15V, T_j = 125^\circ\text{C}$	-	3.8	-	Volts
Total Gate Charge	Q_G	$V_{CC} = 1000V, I_C = 100\text{A}, V_{GE} = 15V$	-	450	-	nC
Emitter-Collector Voltage*	V_{EC}	$I_E = 100\text{A}, V_{GE} = 0V, T_j = 25^\circ\text{C}$	-	-	4.6	Volts
		$I_E = 100\text{A}, V_{GE} = 0V, T_j = 125^\circ\text{C}$	-	2.2	-	Volts

* Pulse width and repetition rate should be such that the device junction temperature (T_j) does not exceed $T_{j(max)}$ rating.

Dynamic Electrical Characteristics, $T_j = 25\text{ }^\circ\text{C}$ unless otherwise specified

Characteristics	Symbol	Test Conditions	Min.	Typ.	Max.	Units	
Input Capacitance	C_{ies}		-	-	14.0	nf	
Output Capacitance	C_{oes}	$V_{CE} = 10V, V_{GE} = 0V$	-	-	2.4	nf	
Reverse Transfer Capacitance	C_{res}		-	-	0.75	nf	
Resistive	Turn-on Delay Time	$t_{d(on)}$	$V_{CC} = 1000V, I_C = 100\text{A},$	-	-	350	ns
Load	Rise Time	t_r	$V_{GE1} = V_{GE2} = 15V,$	-	-	150	ns
Switch	Turn-off Delay Time	$t_{d(off)}$	$R_G = 3.1\Omega, \text{Resistive}$	-	-	550	ns
Times	Fall Time	t_f	Inductive Load	-	-	800	ns
Reverse Recovery Time	t_{rr}	Switching Operation	-	-	600	ns	
Reverse Recovery Charge	Q_{rr}	$I_E = 100\text{A}$	-	5.8	-	μC	



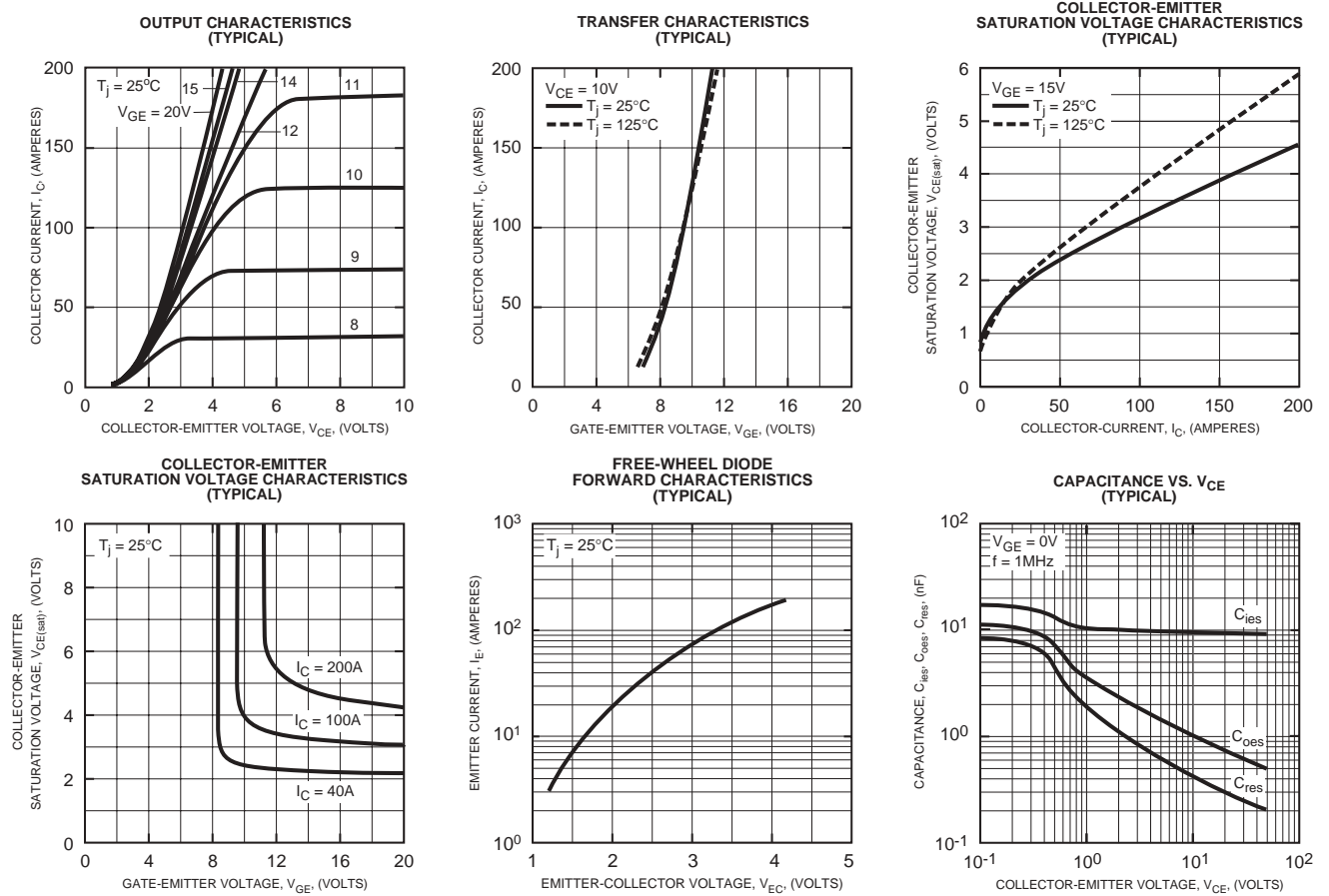
Powerex, Inc., 200 E. Hillis Street, Youngwood, Pennsylvania 15697-1800 (724) 925-7272

CM100DU-34KA
Dual IGBTMOD™ KA-Series Module
 100 Amperes/1700 Volts

Thermal and Mechanical Characteristics, $T_j = 25^\circ\text{C}$ unless otherwise specified

Characteristics	Symbol	Test Conditions	Min.	Typ.	Max.	Units
Thermal Resistance, Junction to Case	$R_{th(j-c)Q}$	Per IGBT 1/2 Module	–	–	0.14	$^\circ\text{C/W}$
Thermal Resistance, Junction to Case	$R_{th(j-c)D}$	Per FWDi 1/2 Module	–	–	0.24	$^\circ\text{C/W}$
Contact Thermal Resistance	$R_{th(c-f)}$	Per Module, Thermal Grease Applied	–	0.040	–	$^\circ\text{C/W}$
Thermal Resistance	$R_{th(j-c)Q}$	T_c Measured Point (Under Chips - IGBT Part)	–	–	0.09*	$^\circ\text{C/W}$

* If you use this value, $R_{th(f-a)}$ should be measured just under the chips.



CM100DU-34KA
Dual IGBTMOD™ KA-Series Module
 100 Amperes/1700 Volts

