

CentralTM Semiconductor Corp.

145 Adams Ave., Hauppauge, NY 11788 USA
Phone (631) 435-1110 FAX (631) 435-1824

Manufacturers of World Class Discrete Semiconductors
www.centralsemi.com

CM4957

PNP HIGH FREQUENCY
SILICON TRANSISTOR

TO-72 CASE

DESCRIPTION

The CENTRAL SEMICONDUCTOR CM4957 is a Silicon PNP RF Transistor, mounted in a hermetically sealed package, designed for high frequency amplifier and non-saturated switching applications. This device is a replacement for the 2N4957.

MAXIMUM RATINGS ($T_A=25^{\circ}\text{C}$)

	<u>SYMBOL</u>		<u>UNITS</u>
Collector-Base Voltage	V_{CB0}	30	V
Collector-Emitter Voltage	V_{CEO}	25	V
Emitter-Base Voltage	V_{EBO}	3.0	V
Collector Current - Continuous	I_C	30	mA
Power Dissipation	P_D	200	mW
Power Dissipation ($T_C=25^{\circ}\text{C}$)	P_D	300	mW
Operating and Storage Junction Temperature	T_J, T_{stg}	-65 to +200	$^{\circ}\text{C}$

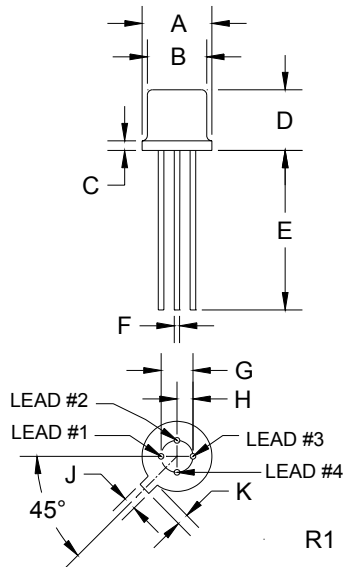
ELECTRICAL CHARACTERISTICS ($T_A=25^{\circ}\text{C}$ unless otherwise noted)

<u>SYMBOL</u>	<u>TEST CONDITIONS</u>	<u>MIN</u>	<u>TYP</u>	<u>MAX</u>	<u>UNITS</u>
I_{CBO}	$V_{CB}=10\text{V}$			100	nA
BV_{CBO}	$I_C=100\mu\text{A}$	30			V
BV_{CEO}	$I_C=1.0\text{mA}$	25			V
BV_{EBO}	$I_E=100\mu\text{A}$	3.0			V
h_{FE}	$V_{CE}=10\text{V}, I_C=2.0\text{mA}$	20		150	
f_T	$V_{CE}=10\text{V}, I_C=2.0\text{mA}, f=100\text{MHz}$	1200		2500	MHz
C_{cb}	$V_{CB}=10\text{V}, I_E=0, f=1.0\text{MHz}$		1.6	2.0	pF
h_{fe}	$V_{CE}=10\text{V}, I_C=2.0\text{mA}, f=1.0\text{kHz}$	20		200	
G_{pe}	$V_{CE}=10\text{V}, I_C=4.0\text{mA}, f=450\text{MHz}$	17		25	dB

(Continued)

R2

TO-72 CASE - MECHANICAL OUTLINE



SYMBOL	INCHES		MILLIMETERS	
	MIN	MAX	MIN	MAX
A (DIA)	0.209	0.230	5.31	5.84
B (DIA)	0.175	0.195	4.45	4.95
C	-	0.030	-	0.76
D	0.170	0.210	4.32	5.33
E	0.500	-	12.70	-
F (DIA)	0.016	0.019	0.41	0.48
G (DIA)	0.100		2.54	
H	0.050		1.27	
J	0.036	0.046	0.91	1.17
K	0.028	0.048	0.71	1.22

TO-72 (REV: R1)

Lead Code:

- 1) Emitter
- 2) Base
- 3) Collector
- 4) Case

CentralTM
Semiconductor Corp.

145 Adams Ave., Hauppauge, NY 11788 USA
 Phone (631) 435-1110 FAX (631) 435-1824

Manufacturers of World Class Discrete Semiconductors
www.centralsemi.com