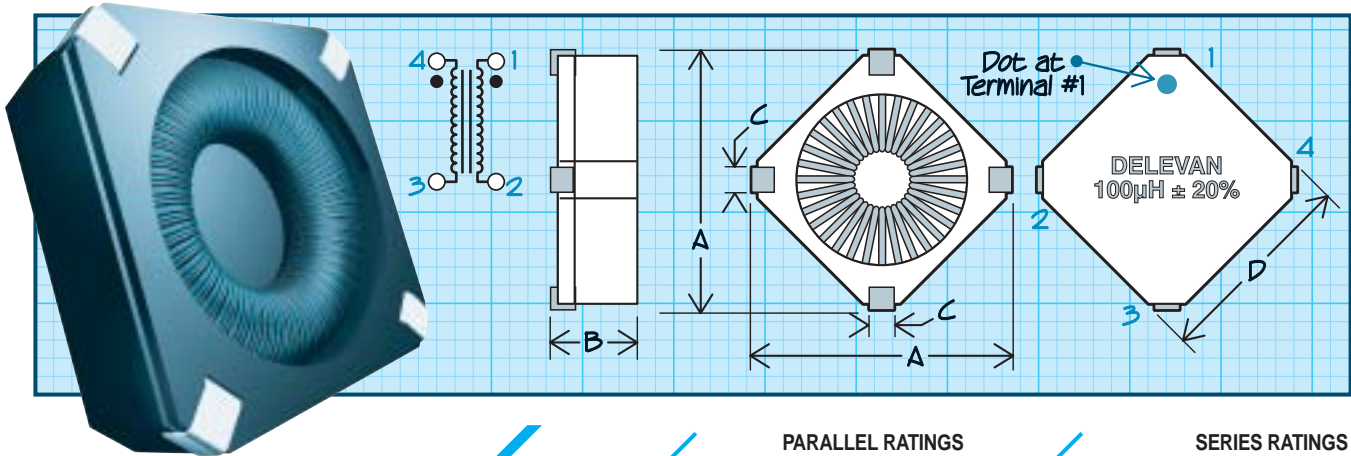


Series CMT4545

Surface Mount Toroids



• Application Versatility

Coupled inductors;
1:1 isolation transformers

• UL94VO Header Material

• Low EMI Radiation

Lead Pad Coplanarity Max.

0.002 inches; 0.05 mm

Inductance values

from 0.49 µH to 300 µH

Physical Parameters

	Inches	Millimeters
A	0.594 ± 0.015	15.09 ± 0.38
B	0.250 Max.	6.35 Max.
C	0.070 ± 0.020	1.78 ± 0.51
D	0.450 ± 0.020	11.43 ± 0.51
E	0.520	13.21
F	0.520	13.21
G	0.120 Sq.	3.05 Sq.

Weight Max. (Grams) 2.0

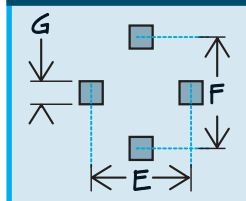
Termination

90/10 Tin/Lead plating

Soldering Internal solder

connections use high temperature solder

LAND PATTERN DIMENSIONS



PART NUMBER	PARALLEL RATINGS				SERIES RATINGS			
	OPEN CIRCUIT INDUCTANCE (µH) @ 1KHz ± 20%	FULL LOAD CURRENT ADC*	FULL LOAD INDUCTANCE (µH) REF. @ 1 KHz	DC RESISTANCE NOMINAL (Ohms)	OPEN CIRCUIT INDUCTANCE (µH) @ 1KHz ± 20%	FULL LOAD CURRENT ADC*	FULL LOAD INDUCTANCE (µH) REF. @ 1 KHz	DC RESISTANCE NOMINAL (Ohms)
SERIES CMT4545 LOW LOSS CORE								
CMT4545-00M	0.49	8.7	0.37	0.004	2.00	4.4	1.48	0.016
CMT4545-02M	0.87	7.8	0.63	0.005	3.50	3.9	2.52	0.020
CMT4545-04M	1.50	7.1	0.89	0.006	5.40	3.6	3.56	0.024
CMT4545-06M	2.00	6.6	1.21	0.007	7.80	3.3	4.84	0.028
CMT4545-08M	5.60	4.7	3.08	0.014	22.0	2.3	12.3	0.056
CMT4545-10M	8.20	4.4	4.05	0.016	31.2	2.2	16.2	0.064
CMT4545-12M	10	3.9	5.41	0.020	42.4	2.0	21.6	0.080
CMT4545-14M	15	3.6	7.03	0.024	62.5	1.8	28.1	0.096
CMT4545-16M	22	2.6	11.2	0.045	86.5	1.3	45.0	0.180
CMT4545-18M	27	2.5	13.1	0.049	105	1.2	52.3	0.196
CMT4545-20M	33	2.3	15.9	0.056	135	1.2	63.5	0.224
CMT4545-22M	50	1.9	24.4	0.086	208	0.94	97.7	0.344
CMT4545-24M	68	1.7	31.5	0.101	280	0.87	126	0.404
CMT4545-26M	75	1.6	34.8	0.125	300	0.78	139	0.500
CMT4545-28M	100	1.4	46.1	0.152	420	0.71	184	0.608
CMT4545-30M	150	1.0	79.0	0.300	610	0.51	316	1.200
CMT4545-32M	200	0.94	96.6	0.343	805	0.47	386	1.372
CMT4545-34M	250	0.79	130	0.486	1000	0.40	520	1.944
CMT4545-36M	300	0.75	146	0.536	1200	0.38	584	2.144
SERIES CMT4545 HIGH SATURATION CORE								
CMT4545-100M	0.49	8.7	0.45	0.004	2.00	4.4	1.80	0.016
CMT4545-102M	0.87	7.8	0.77	0.005	3.50	3.9	3.08	0.020
CMT4545-104M	1.50	7.1	1.16	0.006	5.40	3.6	4.64	0.024
CMT4545-106M	2.00	6.6	1.62	0.007	7.80	3.3	6.48	0.028
CMT4545-108M	5.60	4.7	4.38	0.014	22.0	2.3	17.5	0.056
CMT4545-110M	8.20	4.4	6.08	0.016	31.2	2.2	24.3	0.064
CMT4545-112M	10	3.9	7.63	0.020	42.4	2.0	30.5	0.080
CMT4545-114M	15	3.6	10.8	0.024	62.5	1.8	43.1	0.096
CMT4545-116M	22	2.6	15.6	0.045	86.5	1.3	62.2	0.180
CMT4545-118M	27	2.5	18.8	0.049	105	1.2	75.4	0.196
CMT4545-120M	33	2.3	24.0	0.056	135	1.2	96.0	0.224
CMT4545-122M	50	1.9	36.9	0.086	208	0.94	148	0.344
CMT4545-124M	68	1.7	49.0	0.101	280	0.87	196	0.404
CMT4545-126M	75	1.6	52.6	0.125	300	0.78	210	0.500
CMT4545-128M	100	1.4	72.2	0.152	420	0.71	289	0.608
CMT4545-130M	150	1.0	108	0.300	610	0.51	431	1.200
CMT4545-132M	200	0.94	143	0.343	805	0.47	571	1.372
CMT4545-134M	250	0.79	182	0.486	1000	0.40	730	1.944
CMT4545-136M	300	0.75	216	0.536	1200	0.38	864	2.144

* Note The full load current is the current rating that will cause a maximum temperature rise of 35°C from a 90°C ambient