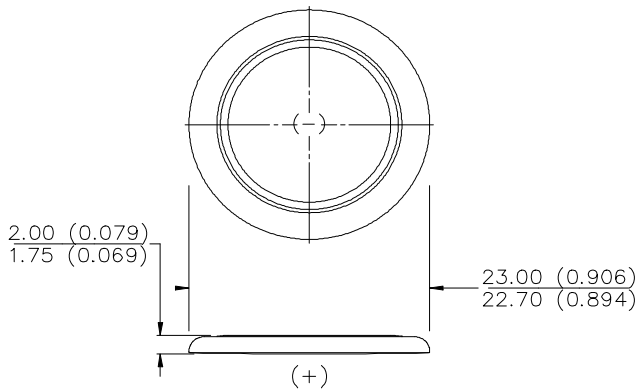


ENERGIZER NO. CR2320



Industry Standard Dimensions in mm (inches)



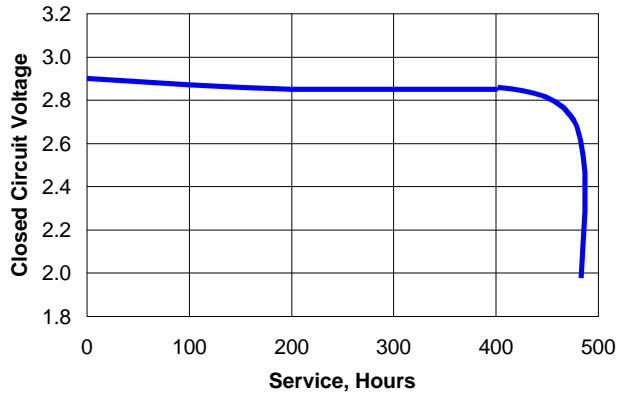
Chemical System: Lithium / Manganese Dioxide (Li/MnO₂)

Battery Voltage: 3.0 Volts
Average Weight: 3.3 grams (0.10 oz.)
Volume: 0.83 cubic centimeters (0.05 cubic inch)
Average Capacity: 135 mAh to 2.0 volts
 (Rated at 10k ohms continuous at 21°C)

Maximum Reverse Charge Current: 1 microampere
Energy Density: 119 milliwatt hr/g, 472 milliwatt hr/cc

TYPICAL DISCHARGE CURVE

Simulated Test @ 21°C (70°F)



Simulated Application Test Estimated Average Service at 21°C (70°F)

Schedule:	Typical Drains at 2.9V (microamperes)	Load (ohms)	Cutoff Voltage
			2.0V
24 hours/day	290	10,000	476 Hours

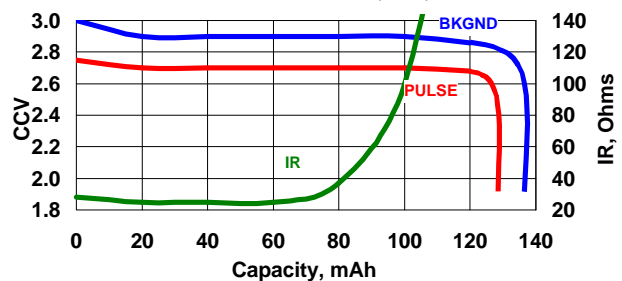
INTERNAL RESISTANCE CHARACTERISTICS

Pulse Test @ 21°C (70°F)

- Schedule:** Continuous for background
2 seconds X 12 times/day for pulse
- Typical Background Drain @ 2.9V (milliamps):**
0.29 milliamperes
- Typical Pulse Drain @ 2.6V (milliamps):**
8.60 milliamperes
- Background Load:**
10k ohms
- Pulse Load:**
300 ohms

IR CHARACTERISTICS

Pulse Test @ 21°C (70°F)



Important Notice

This data sheet contains information specific to batteries manufactured at the time of its publication.

Contents herein do not constitute a warranty.

Copyright © Eveready Battery Co. Inc. - All Rights Reserved