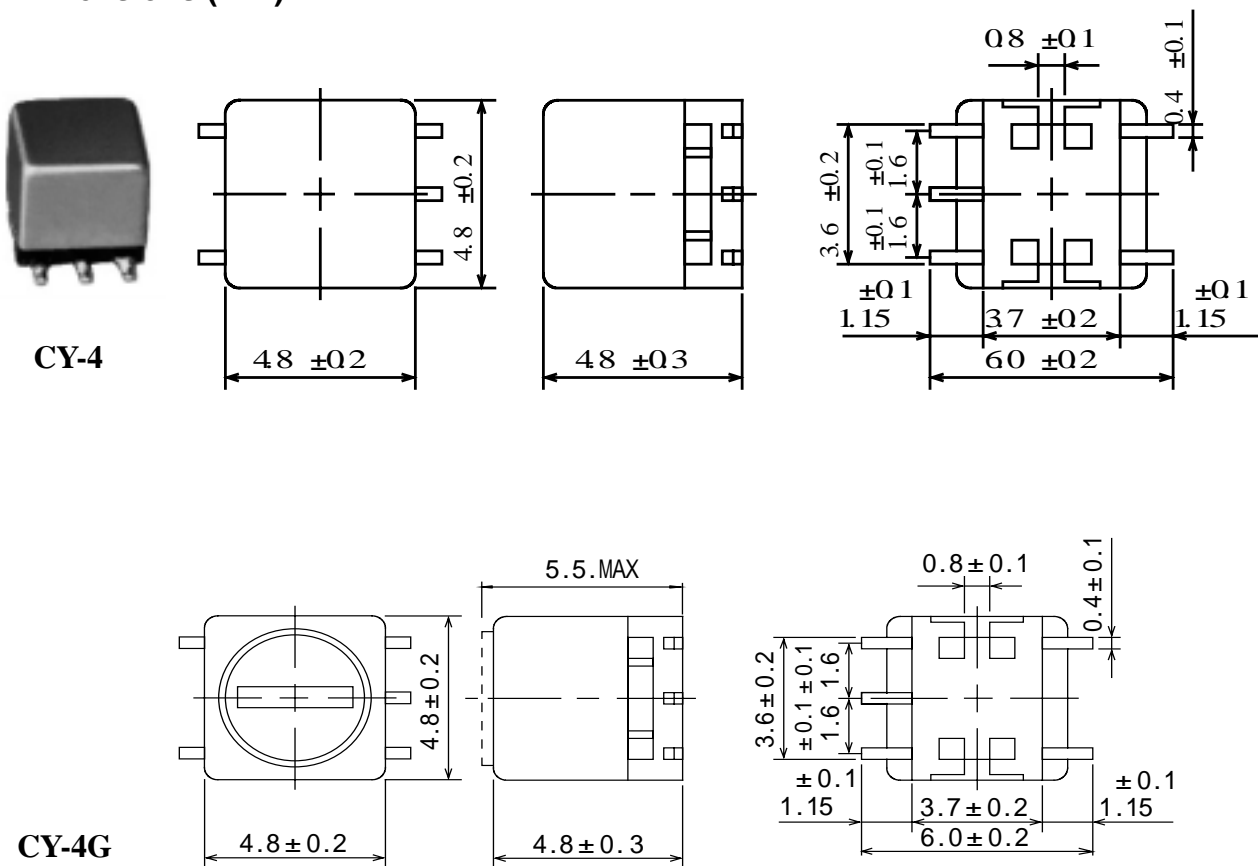


Type: CY-4, CY-4G
Product Description

- 5.0 × 5.0mm Max.(L × W), 5.1mm Max. Height.
- Both adjustable type (CY-4G) and fixed type(CY-4) are available.
- Operating frequency:0.1~20MHz
- In addition to the reference versions of parameters shown here, custom designs are available to meet your exact requirements.

Feature

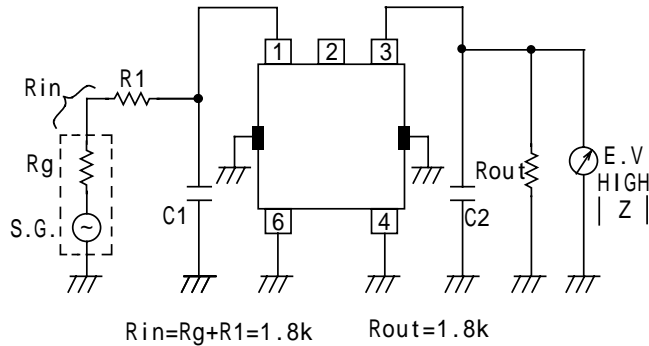
- Two capacitors can be internally mounted in one section.
- Ideally used as Video Filters(LPF, BPF, Delay Line)
- RoHS Compliance

Dimensions (mm)


- * Dimension does not include solder used on coil.
- * Pin pitch should be measured at the root of terminal..

Type: CY-4, CY-4G

Testing Circuit

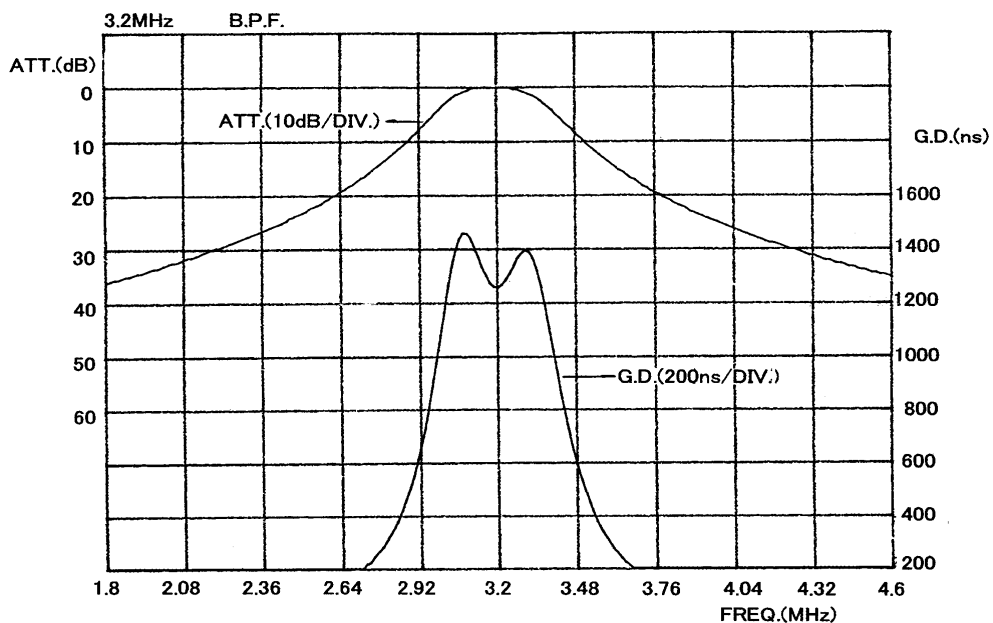


externally mounted capacitors :
 $C_1 = C_2 = 470pF \pm 2\%$ Within

Specification (Part Number: 2567-T024)

| Item | | Specification |
|------------------|---------|---------------------|
| Input impedance | (R in) | 1.8kΩ |
| Output impedance | (Rout) | 1.8kΩ |
| Center frequency | | 3.2MHz |
| Attenuation | 3.03MHz | 3dB±4dB Within |
| | 3.37MHz | 3dB±4dB Within |
| | 1.8MHz | MIN.27dB |
| | 4.6MHz | MIN.26dB |
| Group Delay | 3.2MHz | 1300ns±260ns Within |
| Insertion Loss | 3.2MHz | MAX.7.5dB |

Frequency Response (Attenuation 0dB at 3.2MHz)



Please refer to the sales offices on our website for a representative near you