

SHINDENGEN

Super Fast Recovery Rectifiers

Single

DE3L40

400V 3A

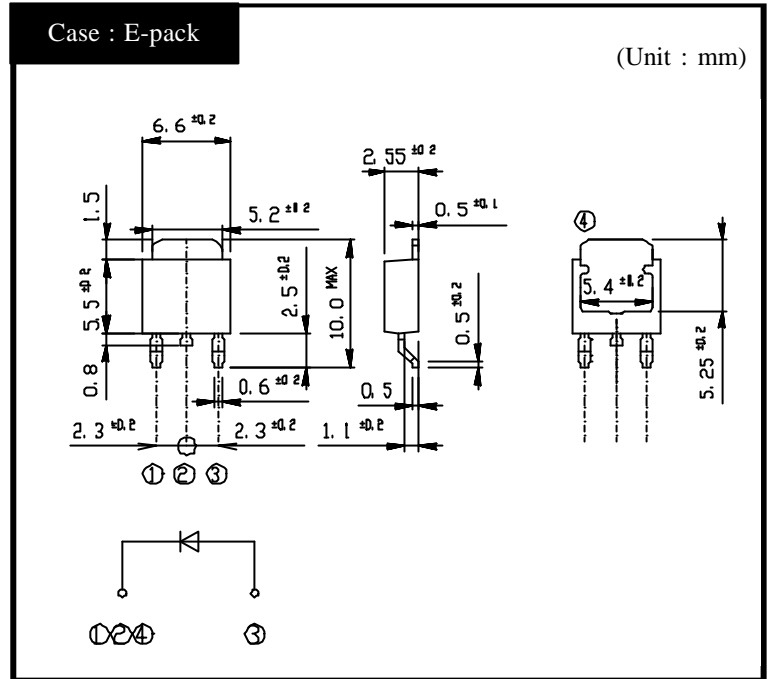
FEATURES

- SMT
- Low noise
- trr50ns

APPLICATION

- Switching power supply
- DC/DC converter
- Free Wheel
- Home Appliances, Office Equipment
- Telecommunication, Factory Automation

OUTLINE DIMENSIONS



RATINGS

Absolute Maximum Ratings (If not specified $T_c=25$)

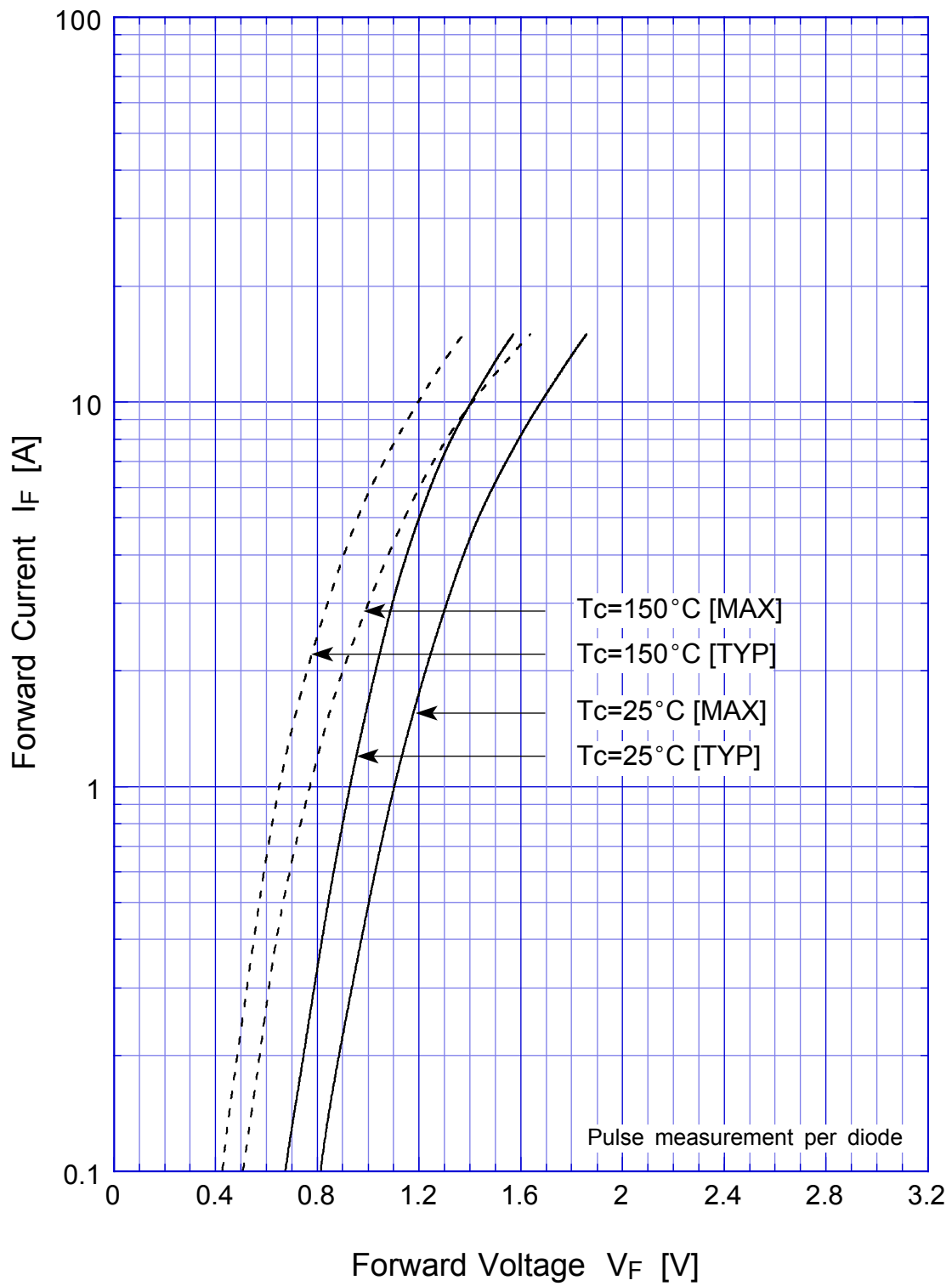
Item	Symbol	Conditions	Ratings	Unit
Storage Temperature	T_{stg}		-55 ~ 150	
Operating Junction Temperature	T_j		150	
Maximum Reverse Voltage	V_{RM}		400	V
Average Rectified Forward Current	I_O	50Hz sine wave, R-load, $T_c=99$	3	A
Peak Surge Forward Current	I_{FSM}	50Hz sine wave, Non-repetitive 1 cycle peak value, $T_j=25$	50	A

Electrical Characteristics (If not specified $T_c=25$)

Item	Symbol	Conditions	Ratings	Unit
Forward Voltage	V_F	$I_F=3A$, Pulse measurement	Max.1.3	V
Reverse Current	I_R	$V_R=V_{RM}$, Pulse measurement	Max.10	μA
Reverse Recovery Time	t_{rr}	$I_F=0.5A$, $I_R=1A$	Max.50	ns
Thermal Resistance	θ_{JC}	junction to case	Max.12	/W

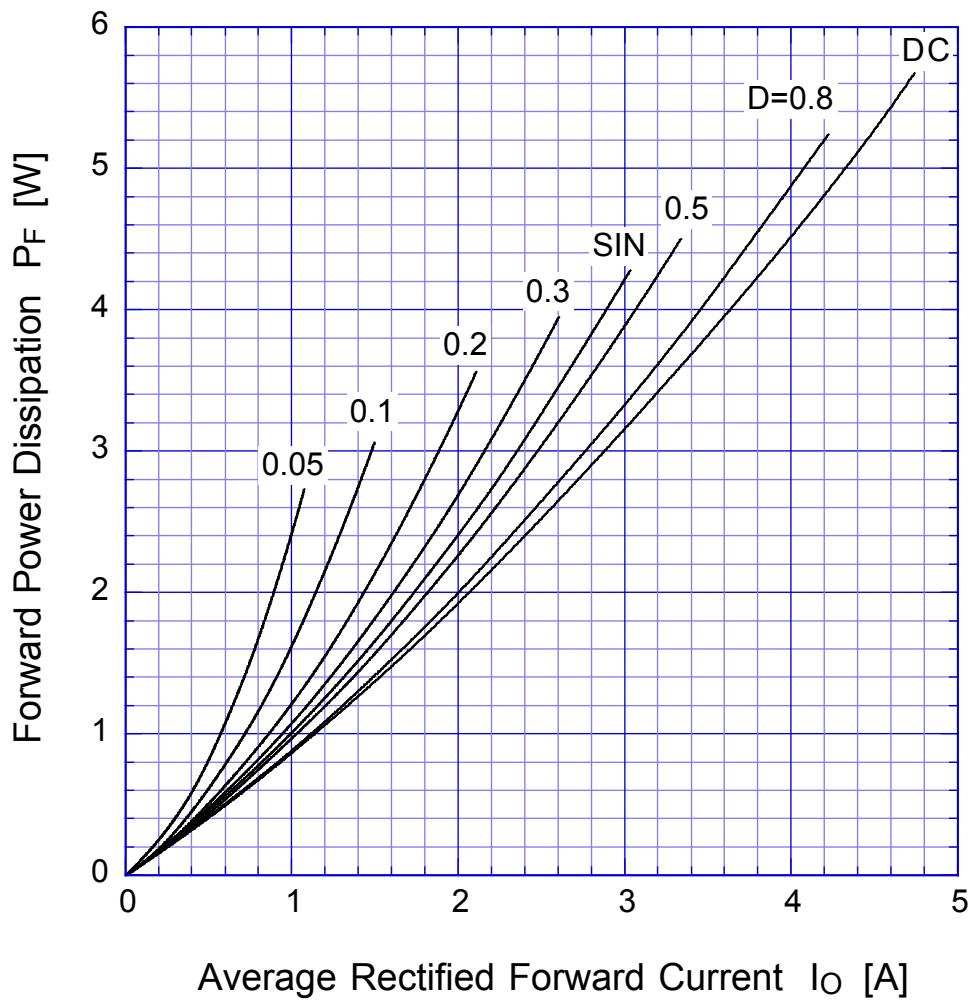
DE3L40

Forward Voltage

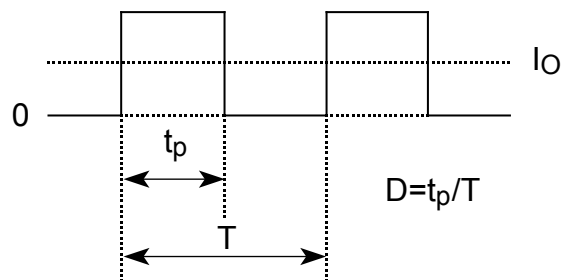


DE3L40

Forward Power Dissipation

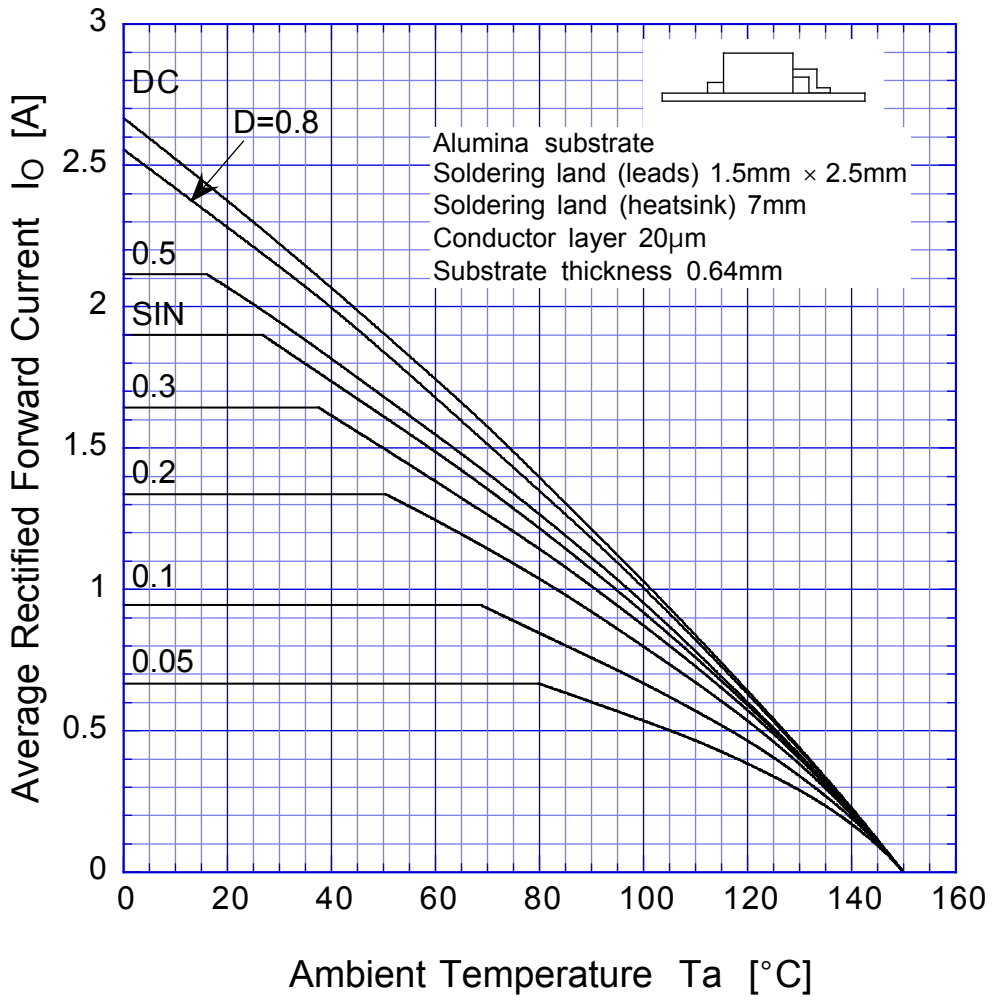


$T_j = T_{jmax}$

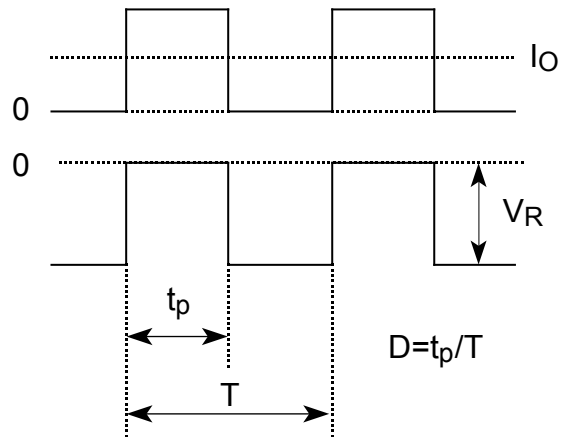


DE3L40

Derating Curve

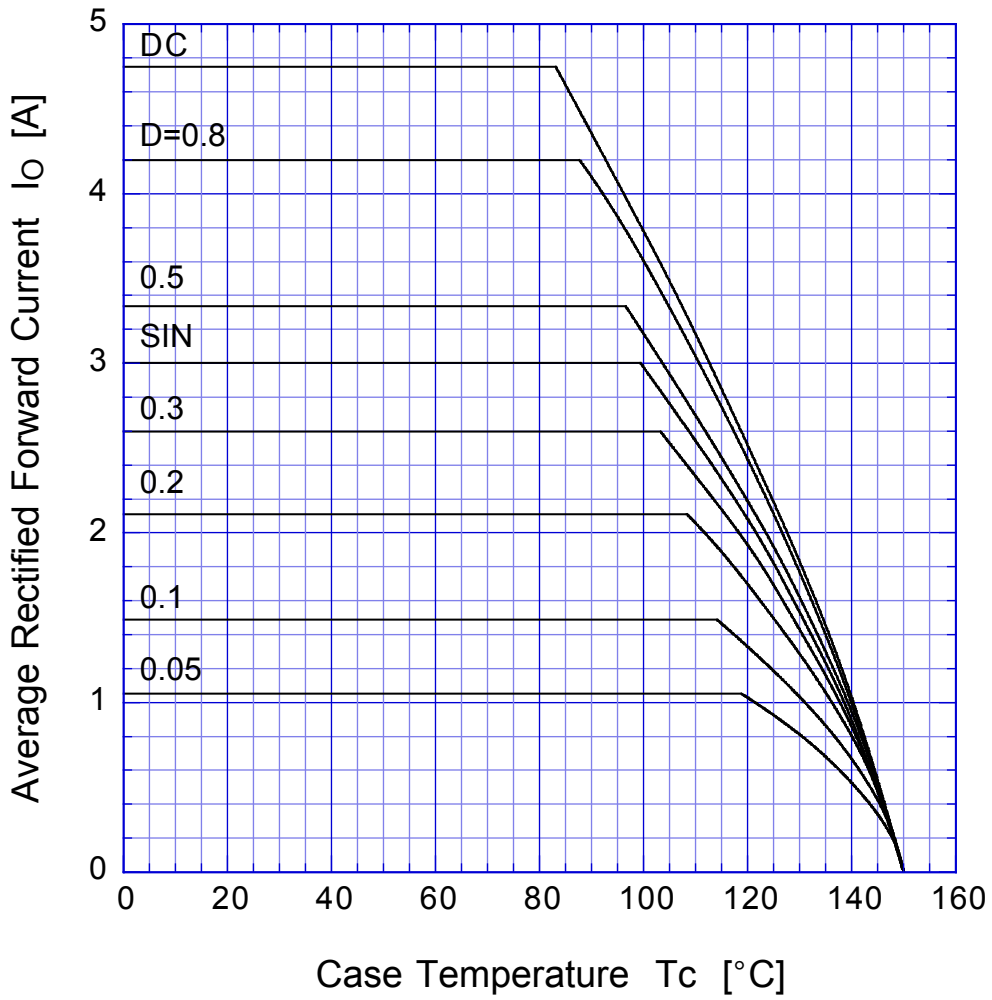


$$V_R = V_{RM}$$

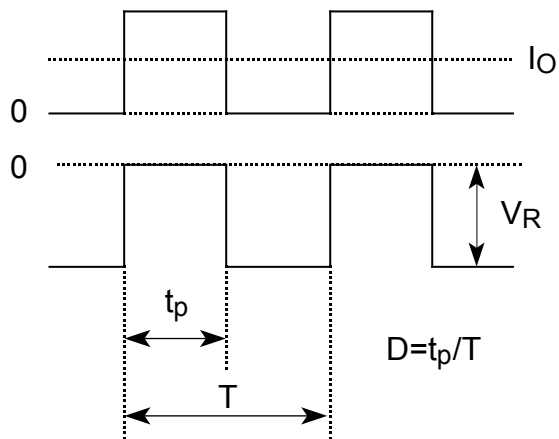


DE3L40

Derating Curve

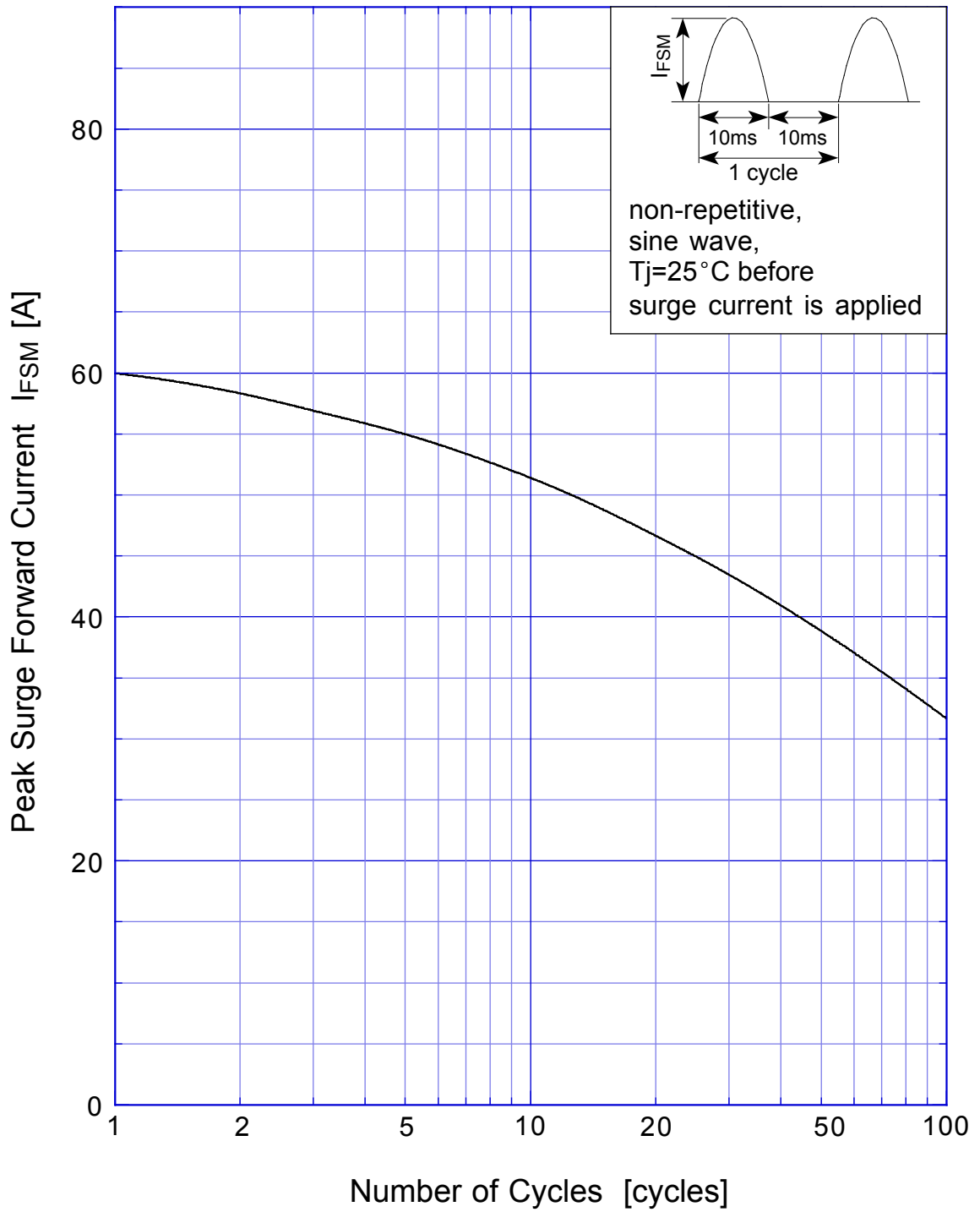


$$V_R = V_{RM}$$



DE3L40

Peak Surge Forward Capability



DE3L40 Junction Capacitance

