

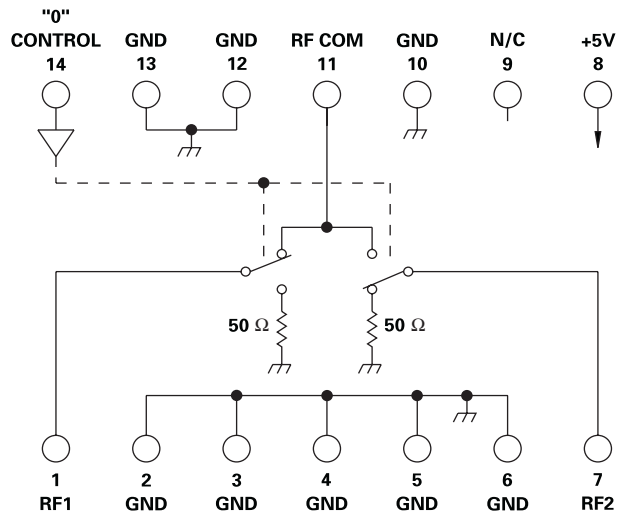
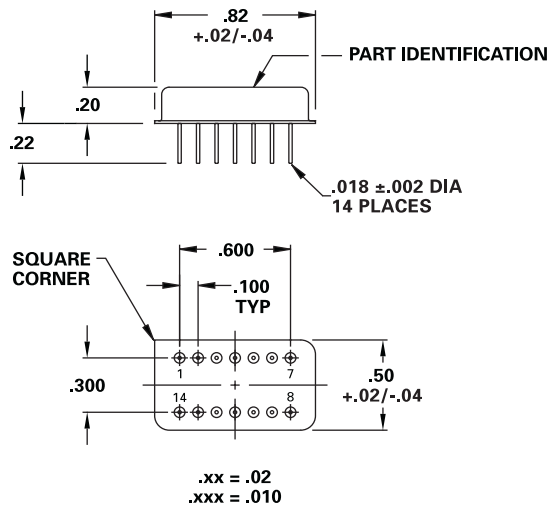
# MODEL NUMBER DSW22023

# GaAs SP2T

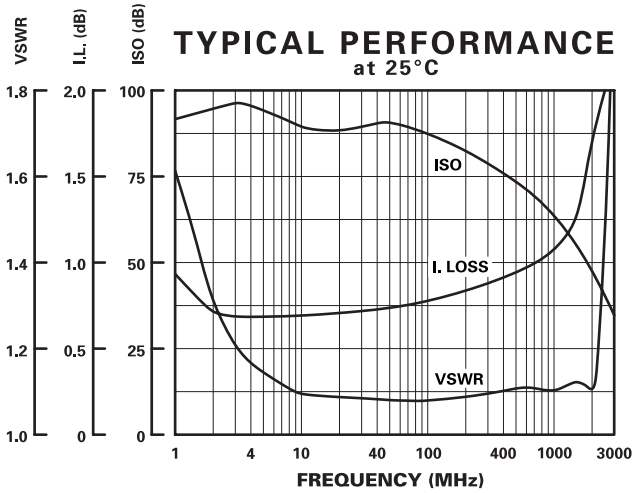
## FEATURES

- 20-550 MHz
- Low Insertion Loss
- Low VSWR
- Broad Frequency Range
- Low DC Power

## SP2T



N/C = NO INTERNAL CONNECTION



### LOGIC TABLE

CONTROL LINE	RF PATH
"0"	RF COM TO RF 1 (PIN 11 TO PIN 1)
"1"	RF COM TO RF 2 (PIN 11 TO PIN 7)

## GUARANTEED PERFORMANCE

Parameter	Min	Typ	Max	Units	Conditions
Operating Frequency	20		550	MHz	
DC Current		0.2	5	mA	At +5 VDC Supply
Control Type		TTL			1 Line "0" = Pin 11 To Pin 1 "1" = Pin 11 To Pin 7
Control Current		±0.1		µA	V <sub>IH</sub> = +2.7V V <sub>IL</sub> = +0.5V
Isolation	55	72		dB	
Insertion Loss		0.90	1.3	dB	
VSWR		1.11/1	1.3/1		Thru Termination
Impedance		50		OHMS	
Switching Speed		0.25	6	µSec	50% TTL to 90% / 10% RF
Transition (Rise/Fall) Time		20		nSec	10% / 90% or 90% / 10% RF
Switching (Video) Transients		40		mV	Peak Value
Intercept Points		2nd: +82 3rd: +30		dBm	70 MHz / 50 MHz 35 MHz / 50 MHz
RF Power		Operate: +19 No Damage: +30	+5	dBm	0.1 dB Compression
Operating Temperature	-55	+25	+125	°C	TA



DAICO Industries

310.507.3242 • FAX 310.507.5701 • www.daico.com