

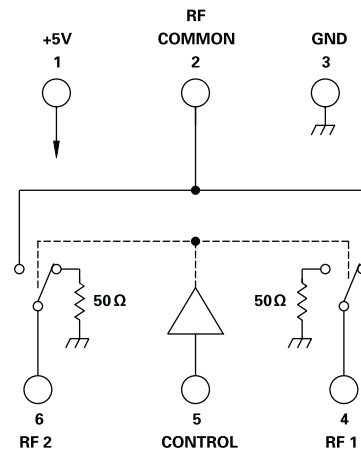
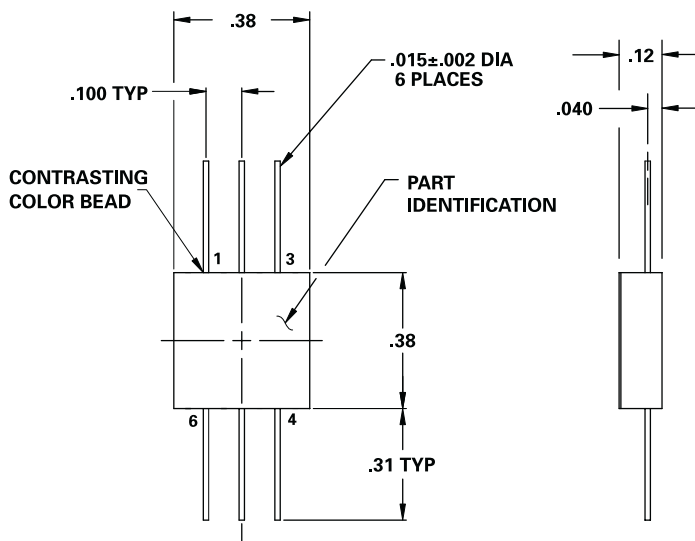
MODEL NUMBER DSW25112

SP2T Switch

FEATURES

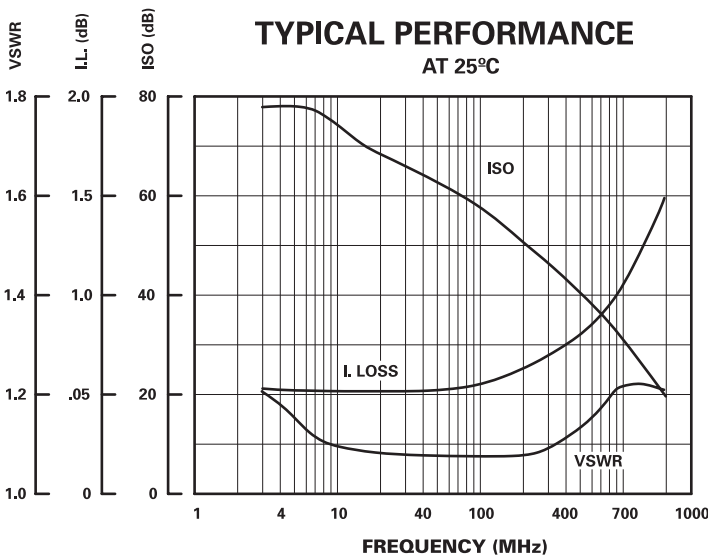
- 10-1000 MHz
- 40 nSec Switching Speed
- 1 mA max DC Current
- 0.38" x 0.38" Square Package

SP2T



GUARANTEED PERFORMANCE

Parameter	Min	Typ	Max	Units	Conditions
Operating Frequency	10		1000	MHz	
DC Current		.2	1	mA	At +5 VDC Supply
Control Type		TTL			"0" = RF Com to RF 1
Control Current	high	0	±20	µA	V _{IH} = +2.7V
	low	0	±20	µA	V _{IL} = +0.5V
Insertion Loss		.7	1.0	dB	10 - 150 MHz
		1.1	1.5	dB	150 - 1000 MHz
Isolation	50	55		dB	10 - 150 MHz
	40	47		dB	150 - 300 MHz
	25	32		dB	300 - 1000 MHz
VSWR	Thru	1.2/1	1.4/1		
	Termination	1.4/1	2/1		
Impedance		50		OHMS	
Switching Speed		40	70	nSec	50% TTL - 90% / 10% RF
Transition Time		15		nSec	90% / 10% or 10% / 90% RF
Switching (Video) Transients		48		mV	Peak Value
Intercept Points	2nd	+88		dBm	70/50 MHz
	3rd	+47		dBm	35/50 MHz
RF Power	Operate	+16	+10	dBm	0.1 dB Comp. 10 - 100 MHz
		+24	+20	dBm	100 - 1000 MHz
	Maximum		+27	dBm	No Damage
Operating Temperature	-45		+55	°C	TA



DAICO Industries

310.507.3242 • FAX 310.507.5701 • www.daico.com